

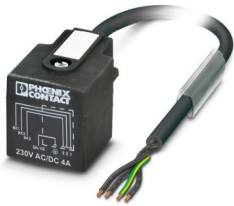
SAC-4P- 5,0-PUR/AD SO - Sensor/actuator cable



1404318

<https://www.phoenixcontact.com/us/products/1404318>

Please be informed that the data shown in this PDF document is generated from our online catalog. Please find the complete data in the user documentation. Our general terms of use for downloads are valid.



Sensor/actuator cable, 4-pos., PUR halogen-free, RAL 7021 black-gray, free cable end, to AD valve connector (pressure switch), cable length: 5 m, with knurled screw

Commercial data

Item number	1404318
Packing unit	1 pc
Minimum order quantity	25 pc
Sales key	BF07
Product key	AF1DBA
GTIN	4046356691031
Weight per piece (including packing)	202.1 g
Weight per piece (excluding packing)	202 g
Customs tariff number	85444290
Country of origin	PL

SAC-4P- 5,0-PUR/AD SO - Sensor/actuator cable



1404318

<https://www.phoenixcontact.com/us/products/1404318>

Technical data

Product properties

Product type	Sensor/actuator cable with valve connector
Number of positions	4
No. of cable outlets	1

Insulation characteristics

Overvoltage category	III
Degree of pollution	3

Connection data

Conductor connection

Tightening torque	0.6 Nm
-------------------	--------

Material specifications

Flammability rating according to UL 94	V0
Material housing valve plug	TPU
Contact material	CuSn
Valve plug contact insert material	PA 6
Contact surface material	Sn

Electrical properties

Insulation resistance	$\geq 100 \text{ M}\Omega$
Nominal voltage U_N	230 V AC 230 V DC
Nominal current I_N	4 A

Connector

Connection 1

Type	free cable end
------	----------------

Connection 2

Type	Valve connector AD (pressure switch)
Material	CuSn (Contact)
	Sn (Contact surface)
	PA 6 (Contact carrier)
	TPU (Housing)

Cable/line

Cable length	5 m
--------------	-----

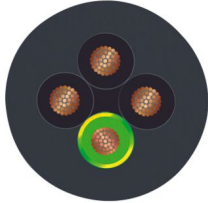
PUR halogen-free black [PUR]

SAC-4P- 5,0-PUR/AD SO - Sensor/actuator cable



1404318

<https://www.phoenixcontact.com/us/products/1404318>

Dimensional drawing	
UL AWM Style	20549
Number of positions	4
Shielded	no
Cable type	PUR halogen-free black [PUR]
Conductor structure signal line	28x 0.15 mm
AWG signal line	20
Conductor cross-section	4x 0.5 mm ²
Wire diameter incl. insulation	1.5 mm ±0.05 mm (Signal line)
External cable diameter	4.90 mm ±0.2 mm
Outer sheath, material	PUR
External sheath, color	black-gray RAL 7021
Conductor material	Bare Cu litz wires
Material wire insulation	PP
Single wire, color	black 1, black 2, black 3, green/yellow
Overall twist	4 wires, twisted
Max. conductor resistance	39 Ω/km (at 20 °C)
Insulation resistance	min. 20 MΩ*km
Nominal voltage, cable	300 V
Test voltage	1200 V
Smallest bending radius, fixed installation	25 mm
Smallest bending radius, movable installation	50 mm
Dynamic load capacity (bending)	Max. bending cycles: 15000000, Bending radius: 50 mm, Traversing path: 0.9 m, Traversing rate: 5 m/s, Acceleration: 30 m/s ²
Flame resistance	according to DIN VDE 0482 According to DIN EN 50265-2-1
Other resistance	largely oil-resistant partly UV-resistant (in accordance with DIN EN ISO 4892-2-A)
Ambient temperature (operation)	-40 °C ... 80 °C (cable, fixed installation) -20 °C ... 80 °C (Cable, flexible installation)

Environmental and real-life conditions

Ambient conditions

Degree of protection	IP65 IP67
Ambient temperature (operation)	-20 °C ... 85 °C (Valve connector)

SAC-4P- 5,0-PUR/AD SO - Sensor/actuator cable



1404318

<https://www.phoenixcontact.com/us/products/1404318>

Standards and regulations

Valve connector

Standard designation	Valve connector
Standards/specifications	EN 175301-803

SAC-4P- 5,0-PUR/AD SO - Sensor/actuator cable

1404318

<https://www.phoenixcontact.com/us/products/1404318>

Drawings

Dimensional drawing



Valve connector, type AD

Dimensional drawing



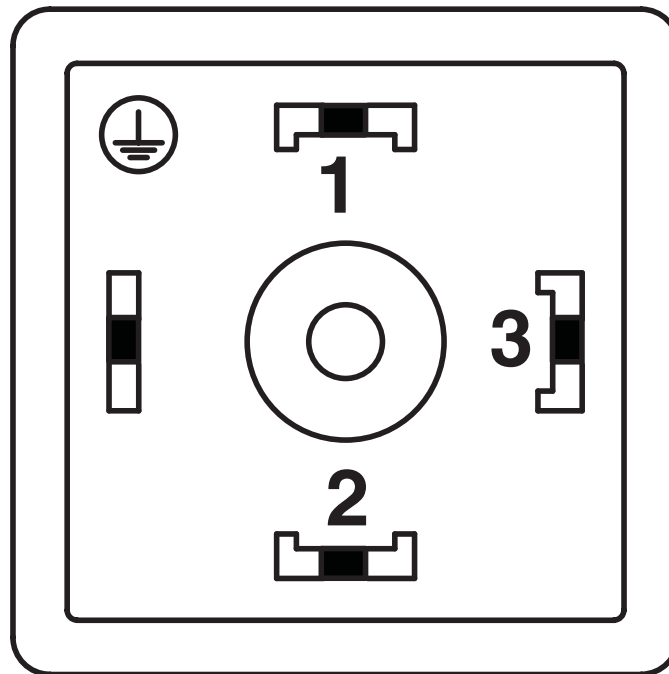
Valve connector, type AD, side view

SAC-4P- 5,0-PUR/AD SO - Sensor/actuator cable

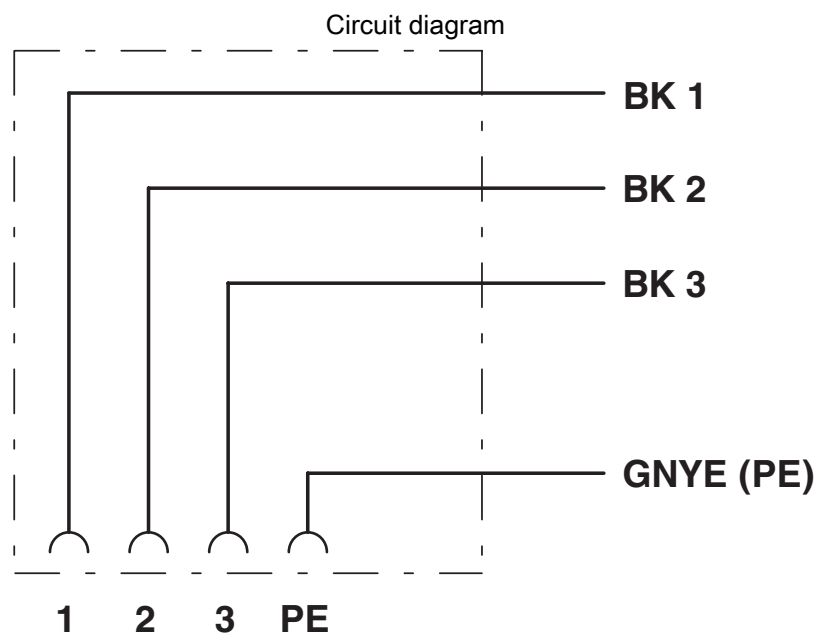
1404318

<https://www.phoenixcontact.com/us/products/1404318>

Schematic diagram



Valve plug connector pin assignment, type AD



Contact assignment of the valve plug

SAC-4P- 5,0-PUR/AD SO - Sensor/actuator cable




1404318

<https://www.phoenixcontact.com/us/products/1404318>

Approvals

To download certificates, visit the product detail page: <https://www.phoenixcontact.com/us/products/1404318>

 CSAus Approval ID: 13631				
	Nominal voltage U_N	Nominal current I_N	Cross section AWG	Cross section mm^2
keine				
	230 V	6 A	-	-

SAC-4P- 5,0-PUR/AD SO - Sensor/actuator cable



1404318

<https://www.phoenixcontact.com/us/products/1404318>

Classifications

ECLASS

ECLASS-13.0	27060312
ECLASS-15.0	27060312

ETIM

ETIM 10.0	EC001855
-----------	----------

UNSPSC

UNSPSC 21.0	31251500
-------------	----------

SAC-4P- 5,0-PUR/AD SO - Sensor/actuator cable



1404318

<https://www.phoenixcontact.com/us/products/1404318>

Environmental product compliance

EU RoHS

Fulfills EU RoHS substance requirements	Yes, No exemptions
---	--------------------

China RoHS

Environment friendly use period (EFUP)	EFUP-E
	No hazardous substances above the limits

EU REACH SVHC

REACH candidate substance (CAS No.)	No substance above 0.1 wt%
-------------------------------------	----------------------------

Phoenix Contact 2026 © - all rights reserved
<https://www.phoenixcontact.com>

Phoenix Contact USA
586 Fulling Mill Road
Middletown, PA 17057, United States
(+717) 944-1300
info@phoenixcon.com