

SAC-12P-MR/ 0,5-PVC/FR SCO - Sensor/actuator cable



1404290

<https://www.phoenixcontact.com/us/products/1404290>

Please be informed that the data shown in this PDF document is generated from our online catalog. Please find the complete data in the user documentation. Our general terms of use for downloads are valid.



Sensor/actuator cable, 12-pos., PVC, RAL 9005 black, M12 SPEEDCON angled plug, A-coded, to M12 SPEEDCON angled socket, cable length: 0.5 m

Commercial data

Item number	1404290
Packing unit	1 pc
Minimum order quantity	50 pc
Product key	AF1CGA
GTIN	4046356685467
Weight per piece (including packing)	64.7 g
Weight per piece (excluding packing)	64.7 g
Country of origin	DE

SAC-12P-MR/ 0,5-PVC/FR SCO - Sensor/actuator cable



1404290

<https://www.phoenixcontact.com/us/products/1404290>

Technical data

Product properties

Product type	Sensor/actuator cable
--------------	-----------------------

Electrical properties

Nominal voltage U_N	30 V AC
	30 V DC

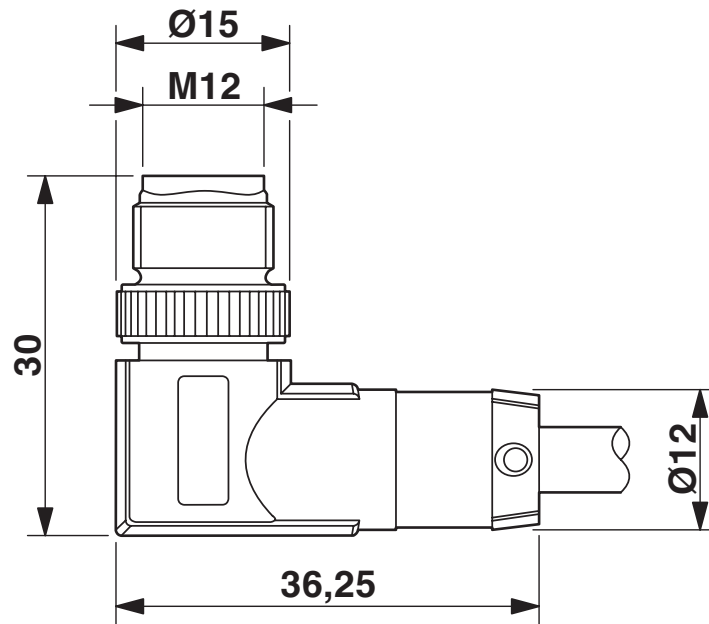
SAC-12P-MR/ 0,5-PVC/FR SCO - Sensor/actuator cable

1404290

<https://www.phoenixcontact.com/us/products/1404290>

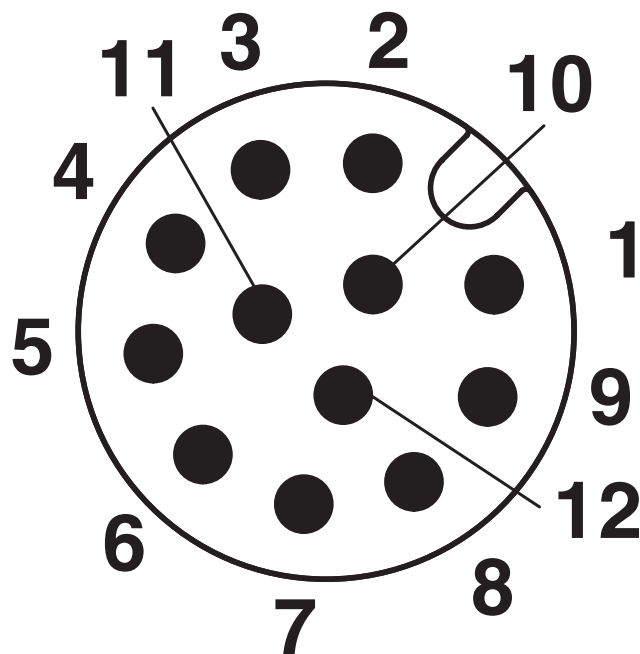
Drawings

Dimensional drawing



M12 SPEEDCON plug, angled

Schematic diagram



Pin assignment M12 male connector, 12-pos., male side view

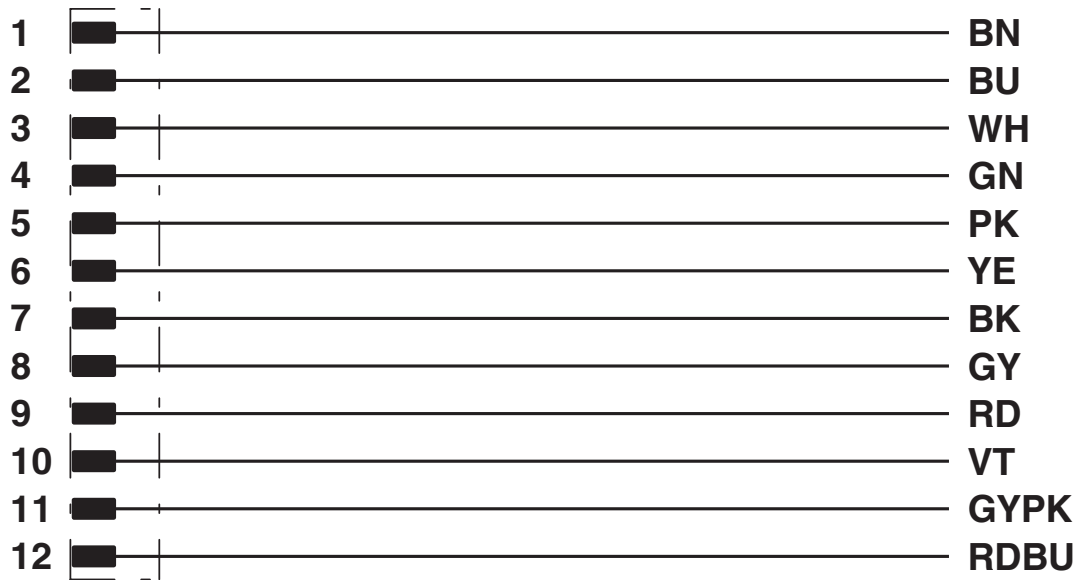
SAC-12P-MR/ 0,5-PVC/FR SCO - Sensor/actuator cable



1404290

<https://www.phoenixcontact.com/us/products/1404290>

Circuit diagram



Contact assignment of the M12 plug

SAC-12P-MR/ 0,5-PVC/FR SCO - Sensor/actuator cable



1404290

<https://www.phoenixcontact.com/us/products/1404290>

Classifications

ECLASS

ECLASS-13.0	27060311
ECLASS-15.0	27060311

UNSPSC

UNSPSC 21.0	31251501
-------------	----------

Phoenix Contact 2026 © - all rights reserved

<https://www.phoenixcontact.com>

Phoenix Contact USA
586 Fulling Mill Road
Middletown, PA 17057, United States
(+717) 944-1300
info@phoenixcon.com