

# HC-ADV-B24-HHWH-1TGM32-PL - Housing



1404235

<https://www.phoenixcontact.com/us/products/1404235>

Please be informed that the data shown in this PDF document is generated from our online catalog. Please find the complete data in the user documentation. Our general terms of use for downloads are valid.



Sleeve housing B24, with screw locking, material: PA, cable outlets: 1, straight, M32, height: 95 mm, cable gland: with, Standard

## Your advantages

- Integrated screw connection
- Lower costs than metal version
- Low weight
- Lower risk of condensation

## Commercial data

Item number	1404235
Packing unit	1 pc
Minimum order quantity	1 pc
Sales key	BF58
Product key	AF7APG
GTIN	4046356682060
Weight per piece (including packing)	201.1 g
Weight per piece (excluding packing)	187.9 g
Customs tariff number	85389099
Country of origin	DE

# HC-ADV-B24-HHWH-1TGM32-PL - Housing

1404235

<https://www.phoenixcontact.com/us/products/1404235>

## Technical data

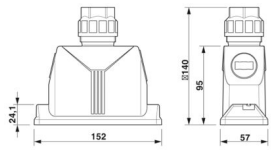
### Product properties

Product type	Housing with screw locking
Housing type	Sleeve housing
Application	Standard
Type	B24
No. of cable outlets	1
Type of the screw connection	M32
Fixing screws	M6 (screw head: 5 mm Allen screw)
Shielded	no
Cable outlet	straight
Pg screw connection	with

### Connection data

External cable diameter	11 mm ... 21 mm
Tightening torque	3 Nm ... 5 Nm (for M6 mounting screws on the sleeve housing)
Tightening torque, union nut	7.50 Nm

### Dimensions

Dimensional drawing	
Width	57 mm
Height	95 mm
Length	152 mm
Wrench size, union nut	30 mm

### Installation dimensions

Width of the assembly cutout	35 mm
Length of the assembly cutout	112 mm

### Material specifications

Material Pressure screw	PA
Flammability rating according to UL 94	V0 (Housing)
Seal material Profile gasket	NBR
Seal material Cable seal	NBR
Housing material	PA
Locking latch material	Stainless steel
Material of locking screw	Stainless steel

### Environmental and real-life conditions

# HC-ADV-B24-HHWH-1TGM32-PL - Housing



1404235

<https://www.phoenixcontact.com/us/products/1404235>

## Ambient conditions

Degree of protection	IP66
	IP67
Impact strength	IK08
Ambient temperature (operation)	-40 °C ... 100 °C

## Mechanical properties

### Mechanical data

Type of the screw connection	M32
Locking type	Screw

## Cable/line

External cable diameter Cable 1	11 mm ... 21 mm
---------------------------------	-----------------

## Mounting

Assembly note	M6 locking screw, with 5 mm Allen screw head
Fixing screws	M6 (screw head: 5 mm Allen screw)

# HC-ADV-B24-HHWH-1TGM32-PL - Housing

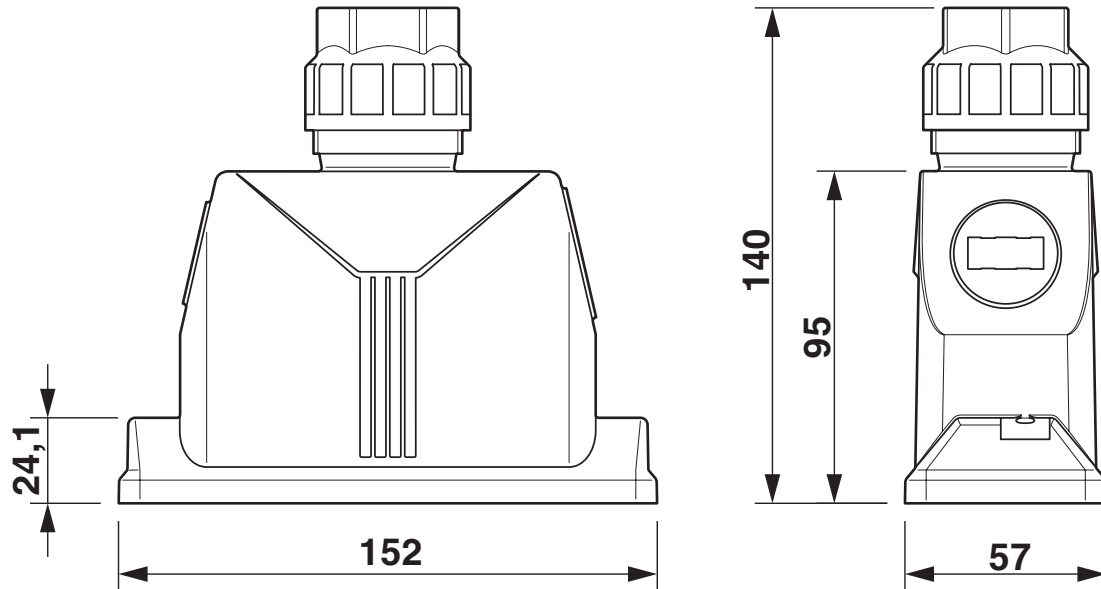


1404235

<https://www.phoenixcontact.com/us/products/1404235>

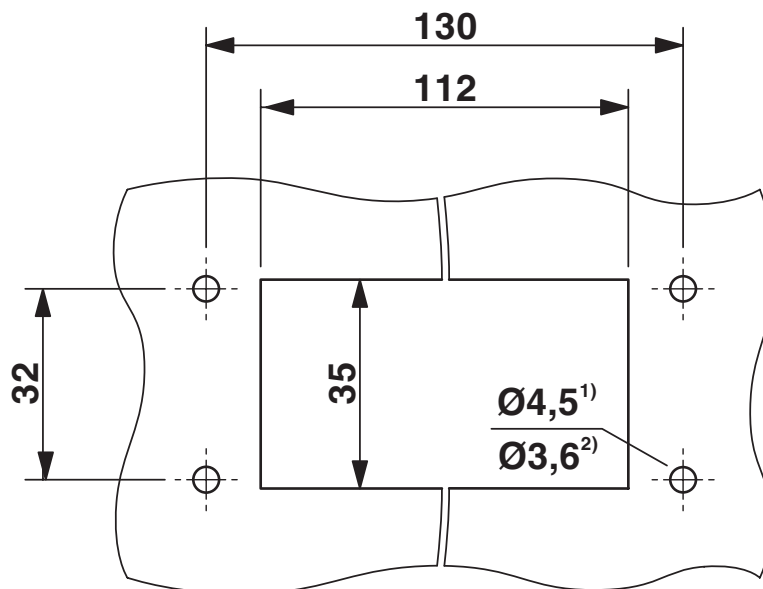
## Drawings

Dimensional drawing



Dimensional drawing

Dimensional drawing



### Mounting cutout

1) when M4 screws are used

2) when self-tapping Torx® screws are used (Torx® 20, M4)

# HC-ADV-B24-HHWH-1TGM32-PL - Housing



1404235

<https://www.phoenixcontact.com/us/products/1404235>

## Approvals

🔗 To download certificates, visit the product detail page: <https://www.phoenixcontact.com/us/products/1404235>

**DNV**

Approval ID: TAE000037S



**cUL Recognized**

Approval ID: E255026



**UL Recognized**

Approval ID: E255026

# HC-ADV-B24-HHWH-1TGM32-PL - Housing



1404235

<https://www.phoenixcontact.com/us/products/1404235>

## Classifications

### ECLASS

ECLASS-13.0	27440202
ECLASS-15.0	27440202

### ETIM

ETIM 10.0	EC000437
-----------	----------

### UNSPSC

UNSPSC 21.0	31261500
-------------	----------

1404235

<https://www.phoenixcontact.com/us/products/1404235>

## Environmental product compliance

### EU RoHS

Fulfills EU RoHS substance requirements	Yes, No exemptions
---	--------------------

### China RoHS

Environment friendly use period (EFUP)	EFUP-E
	No hazardous substances above the limits

### EU REACH SVHC

REACH candidate substance (CAS No.)	No substance above 0.1 wt%
-------------------------------------	----------------------------

### EF3.1 Climate Change

CO2e kg	2.593 kg CO2e
---------	---------------

Phoenix Contact 2026 © - all rights reserved  
<https://www.phoenixcontact.com>

Phoenix Contact USA  
586 Fulling Mill Road  
Middletown, PA 17057, United States  
(+717) 944-1300  
[info@phoenixcon.com](mailto:info@phoenixcon.com)