

HC-ADV-B10-HHWH-1TGM32-PL - Housing



1404229

<https://www.phoenixcontact.com/us/products/1404229>

Please be informed that the data shown in this PDF document is generated from our online catalog. Please find the complete data in the user documentation. Our general terms of use for downloads are valid.



Sleeve housing B10, with screw locking, material: PA, cable outlets: 1, straight, M32, height: 95 mm, cable gland: with, Standard

Your advantages

- Integrated screw connection
- Lower costs than metal version
- Low weight
- Lower risk of condensation

Commercial data

Item number	1404229
Packing unit	1 pc
Minimum order quantity	1 pc
Sales key	BF58
Product key	AF7APG
GTIN	4046356682008
Weight per piece (including packing)	147.9 g
Weight per piece (excluding packing)	142.1 g
Customs tariff number	85389099
Country of origin	DE

HC-ADV-B10-HHWH-1TGM32-PL - Housing

1404229

<https://www.phoenixcontact.com/us/products/1404229>

Technical data

Notes

General	For contact inserts HC-B10, BB18, DD42, M, K8/24, HV03-I-PT, HC- 3-E...C
---------	--

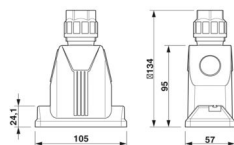
Product properties

Product type	Housing with screw locking
Housing type	Sleeve housing
Application	Standard
Type	B10
No. of cable outlets	1
Type of the screw connection	M32
Fixing screws	M6 (screw head: 5 mm Allen screw)
Shielded	no
Cable outlet	straight
Pg screw connection	with

Connection data

External cable diameter	11 mm ... 21 mm
Tightening torque	3 Nm ... 5 Nm (for M6 mounting screws on the sleeve housing)
Tightening torque, union nut	7.50 Nm

Dimensions

Dimensional drawing	
Width	57 mm
Height	95 mm
Length	105 mm
Wrench size, union nut	30 mm

Installation dimensions

Width of the assembly cutout	35 mm
Length of the assembly cutout	65 mm

Material specifications

Material Pressure screw	PA
Flammability rating according to UL 94	V0 (Housing)
Seal material Profile gasket	NBR
Seal material Cable seal	NBR
Housing material	PA

HC-ADV-B10-HHWH-1TGM32-PL - Housing



1404229

<https://www.phoenixcontact.com/us/products/1404229>

Locking latch material	Stainless steel
Material of locking screw	Stainless steel

Environmental and real-life conditions

Ambient conditions

Degree of protection	IP66
	IP67
Impact strength	IK08
Ambient temperature (operation)	-40 °C ... 100 °C

Mechanical properties

Mechanical data

Type of the screw connection	M32
Locking type	Screw

Cable/line

External cable diameter Cable 1	11 mm ... 21 mm
---------------------------------	-----------------

Mounting

Assembly note	M6 locking screw, with 5 mm Allen screw head
Fixing screws	M6 (screw head: 5 mm Allen screw)

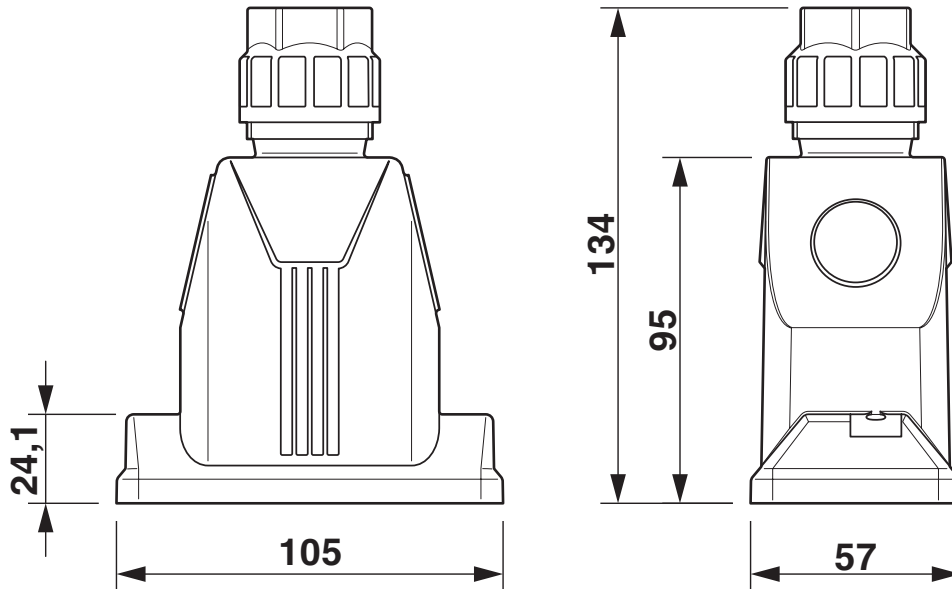
HC-ADV-B10-HHWH-1TGM32-PL - Housing

1404229

<https://www.phoenixcontact.com/us/products/1404229>

Drawings

Dimensional drawing



Dimensional drawing

Dimensional drawing



Mounting cutout

1) when M4 screws are used

2) when self-tapping Torx® screws are used (Torx® 20, M4)

HC-ADV-B10-HHWH-1TGM32-PL - Housing



1404229

<https://www.phoenixcontact.com/us/products/1404229>

Approvals

🔗 To download certificates, visit the product detail page: <https://www.phoenixcontact.com/us/products/1404229>

DNV

Approval ID: TAE000037S



cUL Recognized

Approval ID: E255026



UL Recognized

Approval ID: E255026

HC-ADV-B10-HHWH-1TGM32-PL - Housing



1404229

<https://www.phoenixcontact.com/us/products/1404229>

Classifications

ECLASS

ECLASS-13.0	27440202
ECLASS-15.0	27440202

ETIM

ETIM 10.0	EC000437
-----------	----------

UNSPSC

UNSPSC 21.0	31261500
-------------	----------

1404229

<https://www.phoenixcontact.com/us/products/1404229>

Environmental product compliance

EU RoHS

Fulfills EU RoHS substance requirements	Yes, No exemptions
---	--------------------

China RoHS

Environment friendly use period (EFUP)	EFUP-E
	No hazardous substances above the limits

EU REACH SVHC

REACH candidate substance (CAS No.)	No substance above 0.1 wt%
-------------------------------------	----------------------------

EF3.1 Climate Change

CO2e kg	1.982 kg CO2e
---------	---------------

Phoenix Contact 2026 © - all rights reserved
<https://www.phoenixcontact.com>

Phoenix Contact USA
586 Fulling Mill Road
Middletown, PA 17057, United States
(+717) 944-1300
info@phoenixcon.com