

# HC-CIF-B16-BFWD-FH-AL - DIN rail mounting frame



1404217

<https://www.phoenixcontact.com/us/products/1404217>

Please be informed that the data shown in this PDF document is generated from our online catalog. Please find the complete data in the user documentation. Our general terms of use for downloads are valid.



HEAVYCON DIN rail mounting frame, lower part with double locking latch, for sleeve housing without double locking latch or HC-CIF-..HFFD.. upper part, for type B16 contact inserts, for NS35/7,5 DIN rails

## Your advantages

- Stable metal version
- Open base, pre-assembled cable harnesses can be used
- Safe capacitive PE even when connected slightly askew

## Commercial data

Item number	1404217
Packing unit	1 pc
Minimum order quantity	1 pc
Sales key	BF60
Product key	AF7AHB
GTIN	4046356681896
Weight per piece (including packing)	190.8 g
Weight per piece (excluding packing)	184.1 g
Customs tariff number	85389099
Country of origin	PL

# HC-CIF-B16-BFWD-FH-AL - DIN rail mounting frame



1404217

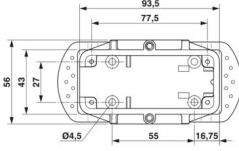
<https://www.phoenixcontact.com/us/products/1404217>

## Technical data

### Product properties

Product type	DIN rail mounting frame
Housing type	DIN rail mounting frame
Series	HC-CIF-AL
Type	B16
Protective cover	no
Pg screw connection	none

### Dimensions

Dimensional drawing	
Width	56 mm
Height	85 mm
Length	93.5 mm

### Material specifications

Material	Cast aluminum, uncoated
Housing material	Cast aluminum, uncoated
Locking latch material	PA

### Mechanical properties

#### Mechanical data

Locking type	Latch
--------------	-------

### Environmental and real-life conditions

#### Ambient conditions

Ambient temperature (operation)	-40 °C ... 125 °C
---------------------------------	-------------------

### Mounting

Mounting type	DIN rail: 35 mm
Assembly note	A double locking latch is not mounted, which means that an assembled cable set can be used more easily

# HC-CIF-B16-BFWD-FH-AL - DIN rail mounting frame

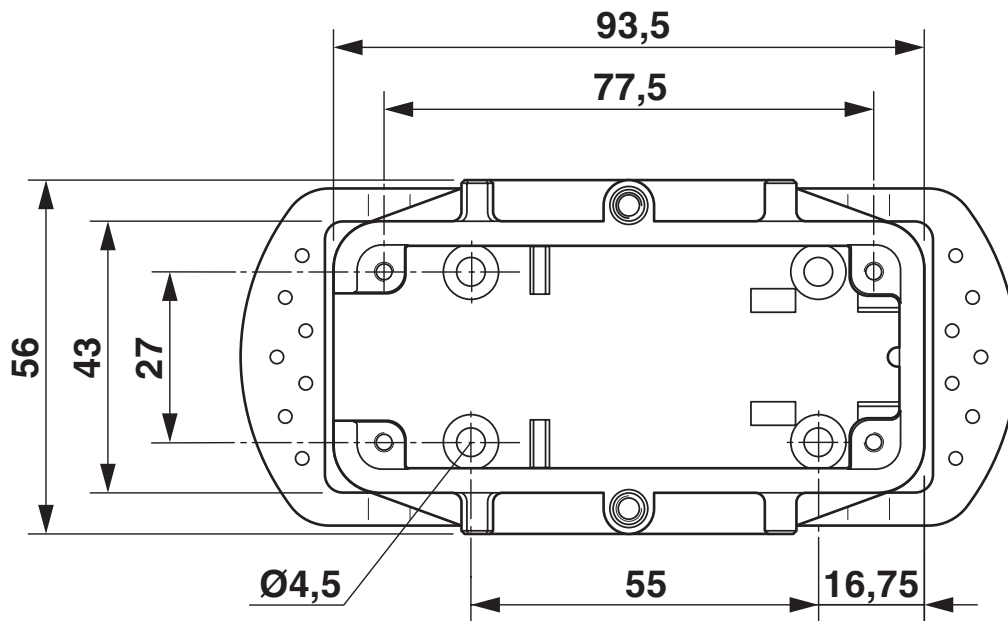


1404217

<https://www.phoenixcontact.com/us/products/1404217>

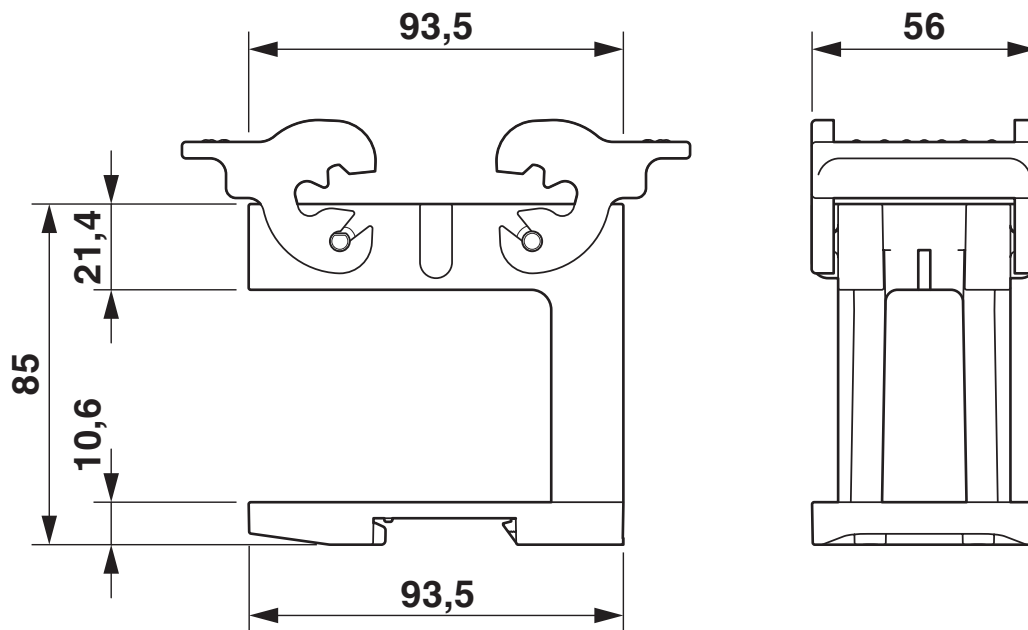
## Drawings

Dimensional drawing



Dimensional drawing top view

Dimensional drawing



Dimensional drawing

# HC-CIF-B16-BFWD-FH-AL - DIN rail mounting frame



1404217

<https://www.phoenixcontact.com/us/products/1404217>

## Classifications

### ECLASS

ECLASS-13.0	27440210
ECLASS-15.0	27440210

### ETIM

ETIM 10.0	EC002310
-----------	----------

### UNSPSC

UNSPSC 21.0	39121400
-------------	----------

# HC-CIF-B16-BFWD-FH-AL - DIN rail mounting frame



1404217

<https://www.phoenixcontact.com/us/products/1404217>

## Environmental product compliance

### EU RoHS

Fulfills EU RoHS substance requirements	Yes, No exemptions
---	--------------------

### China RoHS

Environment friendly use period (EFUP)	EFUP-E
	No hazardous substances above the limits

### EU REACH SVHC

REACH candidate substance (CAS No.)	No substance above 0.1 wt%
-------------------------------------	----------------------------

Phoenix Contact 2026 © - all rights reserved  
<https://www.phoenixcontact.com>

Phoenix Contact USA  
586 Fulling Mill Road  
Middletown, PA 17057, United States  
(+717) 944-1300  
[info@phoenixcon.com](mailto:info@phoenixcon.com)