

HC-CIF-B16-BFFD-FH-AL - DIN rail mounting frame



1404216

<https://www.phoenixcontact.com/us/products/1404216>

Please be informed that the data shown in this PDF document is generated from our online catalog. Please find the complete data in the user documentation. Our general terms of use for downloads are valid.



HEAVYCON DIN rail mounting frame, lower part for double locking latch, for sleeve housing with double locking latch or HC-CIF..HFFD.., for type B16 contact inserts, for NS35/7,5 DIN rails

Your advantages

- Stable metal version
- Open base, pre-assembled cable harnesses can be used
- Safe capacitive PE even when connected slightly askew

Commercial data

| | |
|--------------------------------------|---------------|
| Item number | 1404216 |
| Packing unit | 1 pc |
| Minimum order quantity | 1 pc |
| Sales key | BF60 |
| Product key | AF7AHB |
| GTIN | 4046356681889 |
| Weight per piece (including packing) | 165.7 g |
| Weight per piece (excluding packing) | 160.03 g |
| Customs tariff number | 85389099 |
| Country of origin | PL |

HC-CIF-B16-BFFD-FH-AL - DIN rail mounting frame



1404216

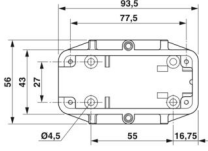
<https://www.phoenixcontact.com/us/products/1404216>

Technical data

Product properties

| | |
|---------------------|-------------------------|
| Product type | DIN rail mounting frame |
| Housing type | DIN rail mounting frame |
| Series | HC-CIF-AL |
| Type | B16 |
| Protective cover | no |
| Pg screw connection | none |

Dimensions

| | |
|---------------------|---|
| Dimensional drawing |  |
| Width | 56 mm |
| Height | 85 mm |
| Length | 93.5 mm |

Material specifications

| | |
|------------------|-------------------------|
| Material | Cast aluminum, uncoated |
| Housing material | Cast aluminum, uncoated |

Mechanical properties

Mechanical data

| | |
|--------------|-----|
| Locking type | Nut |
| | Pin |

Environmental and real-life conditions

Ambient conditions

| | |
|---------------------------------|-------------------|
| Ambient temperature (operation) | -40 °C ... 125 °C |
|---------------------------------|-------------------|

Mounting

| | |
|---------------|-----------------|
| Mounting type | DIN rail: 35 mm |
|---------------|-----------------|

HC-CIF-B16-BFFD-FH-AL - DIN rail mounting frame

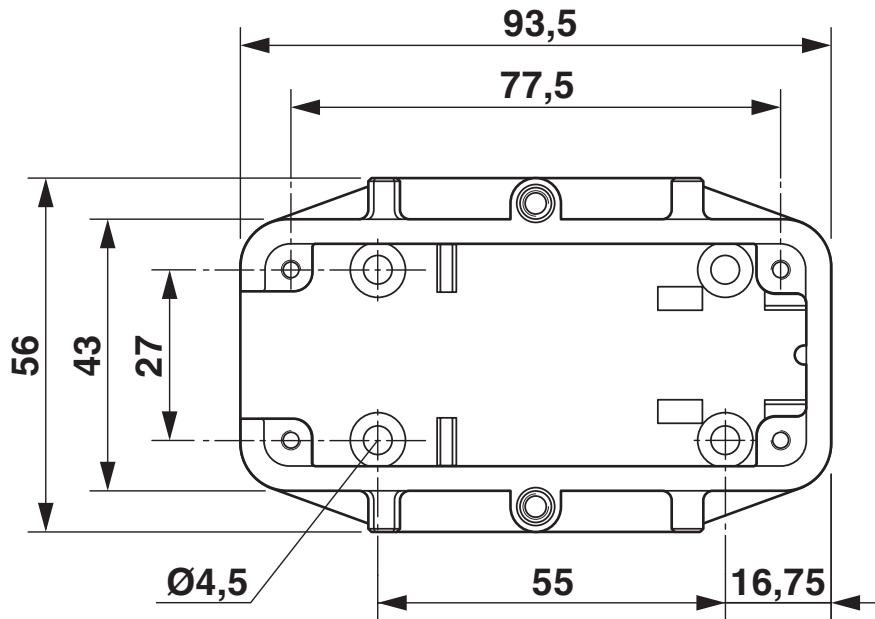


1404216

<https://www.phoenixcontact.com/us/products/1404216>

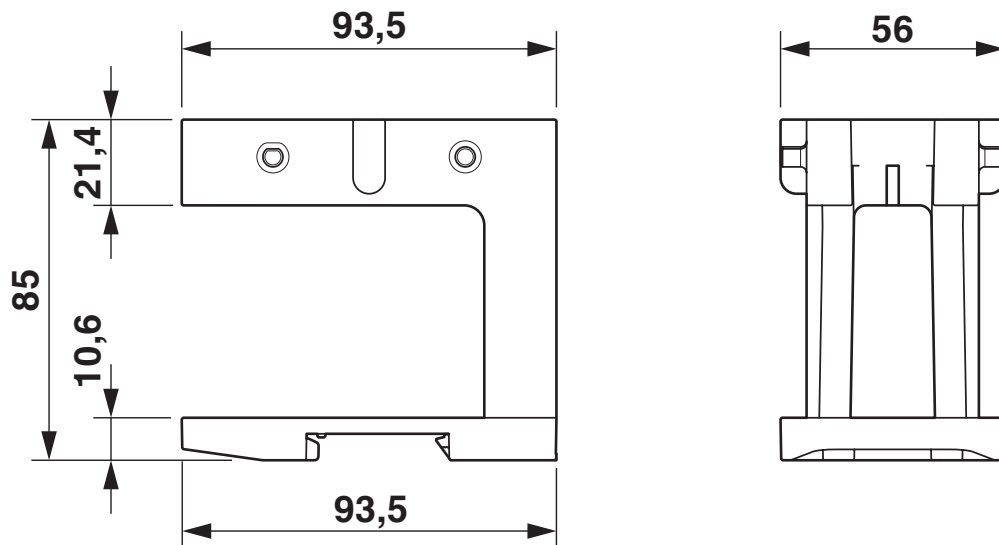
Drawings

Dimensional drawing



Dimensional drawing top view

Dimensional drawing



Dimensional drawing

HC-CIF-B16-BFFD-FH-AL - DIN rail mounting frame



1404216

<https://www.phoenixcontact.com/us/products/1404216>

Classifications

ECLASS

| | |
|-------------|----------|
| ECLASS-13.0 | 27440210 |
| ECLASS-15.0 | 27440210 |

ETIM

| | |
|-----------|----------|
| ETIM 10.0 | EC002310 |
|-----------|----------|

UNSPSC

| | |
|-------------|----------|
| UNSPSC 21.0 | 39121400 |
|-------------|----------|

HC-CIF-B16-BFFD-FH-AL - DIN rail mounting frame



1404216

<https://www.phoenixcontact.com/us/products/1404216>

Environmental product compliance

EU RoHS

| | |
|---|--------------------|
| Fulfills EU RoHS substance requirements | Yes, No exemptions |
|---|--------------------|

China RoHS

| | |
|--|--|
| Environment friendly use period (EFUP) | EFUP-E |
| | No hazardous substances above the limits |

EU REACH SVHC

| | |
|-------------------------------------|----------------------------|
| REACH candidate substance (CAS No.) | No substance above 0.1 wt% |
|-------------------------------------|----------------------------|

Phoenix Contact 2026 © - all rights reserved
<https://www.phoenixcontact.com>

Phoenix Contact USA
586 Fulling Mill Road
Middletown, PA 17057, United States
(+717) 944-1300
info@phoenixcon.com