

SAC-4P-M12MR/10,0-600 FB - Sensor/actuator cable



1404009

<https://www.phoenixcontact.com/us/products/1404009>

Please be informed that the data shown in this PDF document is generated from our online catalog. Please find the complete data in the user documentation. Our general terms of use for downloads are valid.



Sensor/actuator cable, 4-position, PP-EPDM, gray RAL 7035, Plug angled M12, coding: A, on free cable end, cable length: 10 m, Hygienic design, with plastic knurl

Your advantages

- Easy and safe: 100 % electrically tested plug-in components
- Contamination can be detected quickly – thanks to the light color

Commercial data

| | |
|--------------------------------------|---------------|
| Item number | 1404009 |
| Packing unit | 1 pc |
| Minimum order quantity | 1 pc |
| Sales key | BF03 |
| Product key | AF1CCA |
| GTIN | 4046356677554 |
| Weight per piece (including packing) | 272 g |
| Weight per piece (excluding packing) | 272 g |
| Customs tariff number | 85444290 |
| Country of origin | PL |

1404009

<https://www.phoenixcontact.com/us/products/1404009>

Technical data

Product properties

| | |
|----------------------|--------------------------|
| Product type | Sensor/actuator cable |
| Application | Food processing industry |
| Number of positions | 4 |
| No. of cable outlets | 1 |
| Shielded | no |
| Coding | A |

Insulation characteristics

| | |
|----------------------|----|
| Overvoltage category | II |
| Degree of pollution | 3 |

Material specifications

| | |
|-------------------------------|---------------|
| Material of grip body | PP |
| Contact material | CuSn |
| Contact surface material | Ni/Au |
| Contact carrier material | PP |
| Material for screw connection | Polypropylene |

Electrical properties

| | |
|-----------------------|----------------------------|
| Insulation resistance | $\geq 100 \text{ M}\Omega$ |
| Nominal voltage U_N | 250 V AC |
| | 250 V DC |
| Nominal current I_N | 4 A |

Mechanical properties

Mechanical data

| | |
|-----------------------------|------------|
| Insertion/withdrawal cycles | ≥ 100 |
|-----------------------------|------------|

Signaling

| | |
|------------------------|----|
| Status display | no |
| Status display present | no |

Connection data

Conductor connection

| | |
|-------------------|------------------------|
| Tightening torque | 0.4 Nm (M12 connector) |
|-------------------|------------------------|

Connector

Connection 1

| | |
|---------------------|-----------------|
| Type | Plug angled M12 |
| Number of positions | 4 |

SAC-4P-M12MR/10,0-600 FB - Sensor/actuator cable



1404009

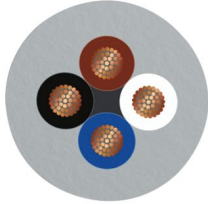
<https://www.phoenixcontact.com/us/products/1404009>

| | |
|-------------|---|
| Coding type | A |
|-------------|---|

Connection 2

| | |
|------|----------------|
| Type | free cable end |
|------|----------------|

Cable/line

| | |
|---|--|
| Cable length | 10 m |
| Dimensional drawing |  |
| Cable weight | 30 kg/km |
| Number of positions | 4 |
| Shielded | no |
| Conductor structure signal line | 42x 0.10 mm |
| AWG signal line | 22 |
| Conductor cross-section | 4x 0.34 mm ² (Signal line) |
| Wire diameter incl. insulation | 1.27 mm ±0.02 mm (Signal line) |
| External cable diameter | 4.70 mm ±0.15 mm |
| Outer sheath, material | PP-EPDM |
| External sheath, color | gray RAL 7035 |
| Conductor material | Bare Cu litz wires |
| Material wire insulation | PP |
| Single wire, color | brown, white, blue, black |
| Thickness, insulation | ≥ 0.21 mm |
| Thickness, outer sheath | approx. 0.80 mm |
| Overall twist | 4 wires, twisted |
| Length of twist, overall twist | 48 mm |
| Max. conductor resistance | approx. 58 Ω/km |
| Insulation resistance | ≥ 1 GΩ*km |
| Nominal voltage, cable | ≤ 300 V |
| Test voltage | ≥ 3000 V |
| Minimum bending radius, fixed installation | 5 x D |
| Minimum bending radius, flexible installation | 10 x D |
| Smallest bending radius, fixed installation | 24 mm |
| Smallest bending radius, movable installation | 47 mm |
| Dynamic load capacity (bending) | Max. bending cycles: 4000000, Bending radius: 10 x D, Traversing path: 10 m, Traversing rate: 3 m/s, Acceleration: 10 m/s ² |
| Dynamic load capacity (torsion) | Torsion: ±270 °/m, Torsion cycles: ≥4000000, Torsional frequency: ≤25 Torsion cycles/min |

SAC-4P-M12MR/10,0-600 FB - Sensor/actuator cable



1404009

<https://www.phoenixcontact.com/us/products/1404009>

| | |
|---------------------------------|---|
| Halogen-free | in accordance with DIN VDE 0472 part 815 |
| Other resistance | Resistant to cold bending and cold impacts (according to DIN EN 60811-1-4 (-40 °C)) |
| Special properties | partly suitable for use with drag chain |
| Ambient temperature (operation) | -40 °C ... 105 °C (cable, fixed installation) |
| | -25 °C ... 105 °C (Cable, flexible installation) |

Environmental and real-life conditions

Ambient conditions

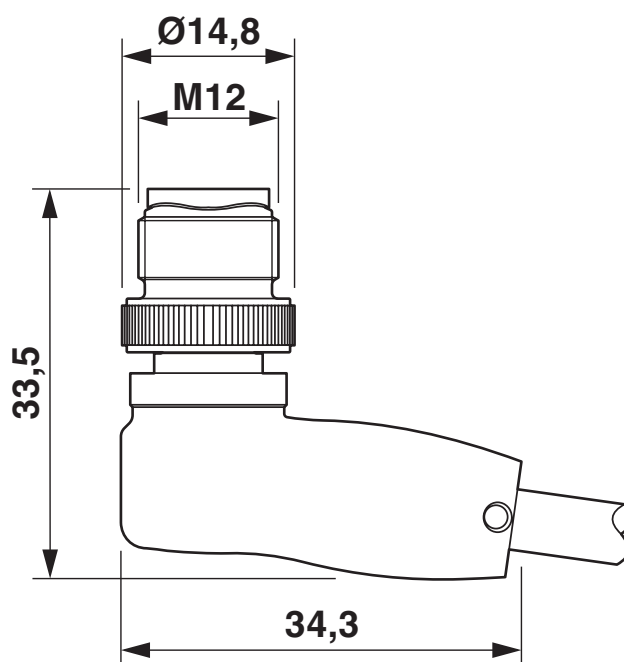
| | |
|---|-----------------------------------|
| Degree of protection | IP65 |
| | IP67 |
| | IP68 |
| | IP69K |
| Ambient temperature (operation) (male connector/female connector) | -40 °C ... 105 °C (Plug / socket) |

Standards and regulations

| | |
|--------------------------|----------------------|
| Standard designation | M12 connector |
| Standards/specifications | IEC 61076-2-101 |
| Standard designation | Material conformance |
| Standards/specifications | FDA 21 CFR 177.2600 |

Drawings

Dimensional drawing



M12 x 1 male plug, angled

Schematic diagram



Pin assignment M12 plug, 4-pos., A-coded, view plug side

Circuit diagram



Contact assignment of the M12 plug

SAC-4P-M12MR/10,0-600 FB - Sensor/actuator cable



1404009

<https://www.phoenixcontact.com/us/products/1404009>

Approvals

🔗 To download certificates, visit the product detail page: <https://www.phoenixcontact.com/us/products/1404009>



EAC-RoHS

Approval ID: RU D-DE.HB35.B.00387

SAC-4P-M12MR/10,0-600 FB - Sensor/actuator cable



1404009

<https://www.phoenixcontact.com/us/products/1404009>

Classifications

ECLASS

| | |
|-------------|----------|
| ECLASS-13.0 | 27060311 |
| ECLASS-15.0 | 27060311 |

ETIM

| | |
|-----------|----------|
| ETIM 10.0 | EC001855 |
|-----------|----------|

UNSPSC

| | |
|-------------|----------|
| UNSPSC 21.0 | 26121600 |
|-------------|----------|

SAC-4P-M12MR/10,0-600 FB - Sensor/actuator cable



1404009

<https://www.phoenixcontact.com/us/products/1404009>

Environmental product compliance

EU RoHS

| | |
|---|--------------------|
| Fulfills EU RoHS substance requirements | Yes, No exemptions |
|---|--------------------|

China RoHS

| | |
|--|--|
| Environment friendly use period (EFUP) | EFUP-E |
| | No hazardous substances above the limits |

EU REACH SVHC

| | |
|-------------------------------------|----------------------------|
| REACH candidate substance (CAS No.) | No substance above 0.1 wt% |
|-------------------------------------|----------------------------|

EF3.1 Climate Change

| | |
|---------|---------------|
| CO2e kg | 2.442 kg CO2e |
|---------|---------------|

Phoenix Contact 2026 © - all rights reserved
<https://www.phoenixcontact.com>

Phoenix Contact USA
586 Fulling Mill Road
Middletown, PA 17057, United States
(+717) 944-1300
info@phoenixcon.com