

SAC-4P-3,0-600/M12FS SH HD - Sensor/actuator cable



1403986

<https://www.phoenixcontact.com/us/products/1403986>

Please be informed that the data shown in this PDF document is generated from our online catalog. Please find the complete data in the user documentation. Our general terms of use for downloads are valid.



Sensor/actuator cable, 4-position, PP-EPDM halogen-free, gray RAL 7035, shielded, free cable end, on Socket straight M12, coding: A, cable length: 3 m, Hygienic design, with high-grade steel knurl

Your advantages

- Easy and safe: 100 % electrically tested plug-in components
- Stainless steel type 1.4404 used to provide corrosion protection for all exposed metal parts
- Contamination can be detected quickly – thanks to the light color
- Reliable signal transmission – 360° shielding in environments with electromagnetic interference

Commercial data

Item number	1403986
Packing unit	1 pc
Minimum order quantity	1 pc
Sales key	BF03
Product key	AF1CJA
GTIN	4046356677417
Weight per piece (including packing)	139.9 g
Weight per piece (excluding packing)	139 g
Customs tariff number	85444290
Country of origin	PL

SAC-4P-3,0-600/M12FS SH HD - Sensor/actuator cable



1403986

<https://www.phoenixcontact.com/us/products/1403986>

Technical data

Product properties

Product type	Sensor/actuator cable
Application	Food processing industry
Number of positions	4
No. of cable outlets	1
Shielded	yes
Coding	A

Insulation characteristics

Overvoltage category	II
Degree of pollution	3

Material specifications

Seal material	FKM
Material of grip body	PP
Contact material	CuSn
Contact surface material	Ni/Au
Contact carrier material	PP
Material for screw connection	Stainless steel

Electrical properties

Insulation resistance	$\geq 100 \text{ M}\Omega$
Nominal voltage U_N	48 V AC
	60 V DC
Nominal current I_N	4 A

Mechanical properties

Mechanical data

Insertion/withdrawal cycles	≥ 100
-----------------------------	------------

Signaling

Status display	no
Status display present	no

Connection data

Conductor connection

Tightening torque	0.4 Nm (M12 connector)
-------------------	------------------------

Connector

Connection 1

Type	free cable end
------	----------------

SAC-4P-3,0-600/M12FS SH HD - Sensor/actuator cable

1403986

<https://www.phoenixcontact.com/us/products/1403986>

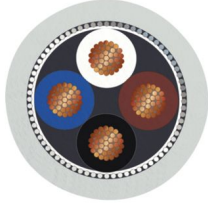
Connection 2

Type	Socket straight M12
Number of positions	4
Coding type	A

Cable/line

Cable length	3 m
--------------	-----

Halogen-free PP gray shielded [600]

Dimensional drawing	
Cable weight	40 kg/km
Number of positions	4
Shielded	yes
Cable type	Halogen-free PP gray shielded [600]
Conductor structure signal line	42x 0.10 mm
AWG signal line	22
Conductor cross-section	4x 0.34 mm ² (Signal line)
Wire diameter incl. insulation	1.27 mm ±0.02 mm (Signal line)
External cable diameter	5.55 mm ±0.2 mm
Outer sheath, material	PP-EPDM
External sheath, color	gray RAL 7035
Conductor material	Bare Cu litz wires
Material wire insulation	PP
Single wire, color	brown, white, blue, black
Thickness, insulation	≥ 0.21 mm (Core insulation)
Thickness, outer sheath	approx. 0.80 mm
Overall twist	4 wires, twisted
Length of twist, overall twist	48 mm
Optical shield covering	85 %
Max. conductor resistance	58 Ω/km (at 20 °C)
Nominal voltage, cable	≤ 300 V AC
Test voltage	≥ 3000 V AC (Spark test)
Test voltage Core/Shield	≥ 2000.00 V AC (for 60 s)
Minimum bending radius, fixed installation	5 x D
Minimum bending radius, flexible installation	10 x D
Smallest bending radius, fixed installation	28 mm
Smallest bending radius, movable installation	56 mm

SAC-4P-3,0-600/M12FS SH HD - Sensor/actuator cable



1403986

<https://www.phoenixcontact.com/us/products/1403986>

Dynamic load capacity (bending)	Max. bending cycles: 2000000, Bending radius: 10 x D, Traversing path: 10 m, Traversing rate: 3 m/s, Acceleration: 10 m/s ²
Halogen-free	in accordance with DIN VDE 0472 part 815
Other resistance	Resistant to cold bending and cold impacts (according to DIN EN 60811-1-4 (-40 °C))
Special properties	FDA compliant according to FDA 21 CFR 177.2600
	flexible
	Flexible cable conduit capable
Ambient temperature (operation)	-40 °C ... 105 °C (cable, fixed installation)
	-25 °C ... 105 °C (Cable, flexible installation)

Environmental and real-life conditions

Ambient conditions

Degree of protection	IP65
	IP67
	IP68
	IP69K
Ambient temperature (operation) (male connector/female connector)	-40 °C ... 105 °C (Plug / socket)

Standards and regulations

M12

Standard designation	M12 connector
Standards/specifications	IEC 61076-2-101
Standard designation	Material conformance
Standards/specifications	FDA 21 CFR 177.2600

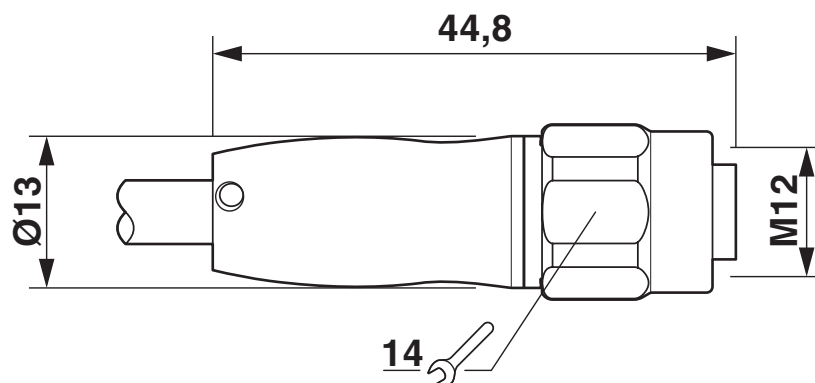
SAC-4P-3,0-600/M12FS SH HD - Sensor/actuator cable

1403986

<https://www.phoenixcontact.com/us/products/1403986>

Drawings

Dimensional drawing



M12 x 1 socket, straight

SAC-4P-3,0-600/M12FS SH HD - Sensor/actuator cable

1403986

<https://www.phoenixcontact.com/us/products/1403986>

Schematic diagram



Pin assignment M12 socket, 4-pos., A-coded, view female side

Circuit diagram



Contact assignment of the M12 plug and the M12 socket

SAC-4P-3,0-600/M12FS SH HD - Sensor/actuator cable



1403986

<https://www.phoenixcontact.com/us/products/1403986>

Approvals

To download certificates, visit the product detail page: <https://www.phoenixcontact.com/us/products/1403986>



EAC-RoHS

Approval ID: RU D-DE.HB35.B.00387

SAC-4P-3,0-600/M12FS SH HD - Sensor/actuator cable



1403986

<https://www.phoenixcontact.com/us/products/1403986>

Classifications

ECLASS

ECLASS-13.0	27060311
ECLASS-15.0	27060311

ETIM

ETIM 10.0	EC001855
-----------	----------

UNSPSC

UNSPSC 21.0	26121600
-------------	----------

SAC-4P-3,0-600/M12FS SH HD - Sensor/actuator cable



1403986

<https://www.phoenixcontact.com/us/products/1403986>

Environmental product compliance

EU RoHS

Fulfills EU RoHS substance requirements	Yes, No exemptions
---	--------------------

China RoHS

Environment friendly use period (EFUP)	EFUP-E
	No hazardous substances above the limits

EU REACH SVHC

REACH candidate substance (CAS No.)	6,6'-di-tert-butyl-2,2'-methylenedi-p-cresol(CAS: 119-47-1)
SCIP	71a80c90-45f9-4f5a-b4c5-c613b9650641

EF3.1 Climate Change

CO2e kg	2.521 kg CO2e
---------	---------------

Phoenix Contact 2026 © - all rights reserved

<https://www.phoenixcontact.com>

Phoenix Contact USA
586 Fulling Mill Road
Middletown, PA 17057, United States
(+717) 944-1300
info@phoenixcon.com