

# QPD C 4PE2,5 2X9-16 GY - Conductor connector



1403835

<https://www.phoenixcontact.com/us/products/1403835>

Please be informed that the data shown in this PDF document is generated from our online catalog. Please find the complete data in the user documentation. Our general terms of use for downloads are valid.



QUICKON cable connector, gray, 4+PE-pos., 1.0 mm<sup>2</sup> ... 2.5 mm<sup>2</sup> / 690 V / 20 A, for 6 mm ... 11 mm cable diameter.

## Your advantages

- Innovative and time saving - QUICKON fast connection for time saving of up to 80 % for on-site connection
- Robust throughout: housing with IP68/IP69K and IK07 protection for a wide range of applications
- Safer connection with mechanical coding to protect against mismatching, and touch-proof protection in accordance with DIN EN 0105
- Easy and safe - with the cable connector, you can repair or extend cables quickly, in combination with the connector as well as the coupling connection

## Commercial data

Item number	1403835
Packing unit	1 pc
Minimum order quantity	1 pc
Sales key	BF50
Product key	AF6CCB
GTIN	4046356670319
Weight per piece (including packing)	91.15 g
Weight per piece (excluding packing)	91.1 g
Customs tariff number	85366990
Country of origin	PL

# QPD C 4PE2,5 2X9-16 GY - Conductor connector



1403835

<https://www.phoenixcontact.com/us/products/1403835>

## Technical data

### Product properties

Product type	Cable connector
Product family	QPD
Type	QPD 5x2,5
Number of positions	5
Connection profile	4+PE
Position marking	1, 2, L, N, PE
Number of connections per position	1
Coding	Coding profile

### Insulation characteristics

Overvoltage category	III
Degree of pollution	3

### Dimensions

Dimensional drawing	
Width	34.6 mm
Height	34.6 mm
Length	115 mm
Diameter	34.6 mm
Wrench size	27 mm
Wrench size for mounting	27 mm

### Connection data

#### Connection technology

Frequency of connections between conductors of the same cross section	max. 10
---	---------

#### Conductor connection

Tightening torque	10 Nm
	5 Nm
Tightening torque Union nut	10 Nm
Tightening torque Locking nut	5 Nm
Wrench size Union nut	27 mm

### Electrical properties

Rated surge voltage (II/2)	8 kV
Rated surge voltage (III/2)	8 kV

# QPD C 4PE2,5 2X9-16 GY - Conductor connector



1403835

<https://www.phoenixcontact.com/us/products/1403835>

Rated surge voltage (III/3)	6 kV
Rated current	20 A
Contact resistance	< 3 mΩ
rated voltage (II/2)	1000 V
rated voltage (III/2)	1000 V
Rated voltage (III/3)	690 V
Nominal voltage $U_N$	690 V AC
	690 V DC
Nominal current $I_N$	20 A

## Mechanical properties

### Mechanical data

Insertion/withdrawal cycles	max. 50
-----------------------------	---------

## Material specifications

Material Housing	PA
Material Contact	Cu
Material Contact surface	silver-plated
Flammability rating according to UL 94	V0
Material wire insulation	PVC/PE/TPE/rubber

## Cable/line

Structure of individual litz in acc. with VDE 0295 / smallest wire diameter	VDE 0295 class 1 to 6/min. 0.15 mm
External cable diameter	6 mm ... 10 mm
Wire diameter including insulation	2 mm ... 3.8 mm
Position marking	1, 2, L, N, PE
Material wire insulation	PVC/PE/TPE/rubber
Halogen-free	yes

## Environmental and real-life conditions

### Ambient conditions

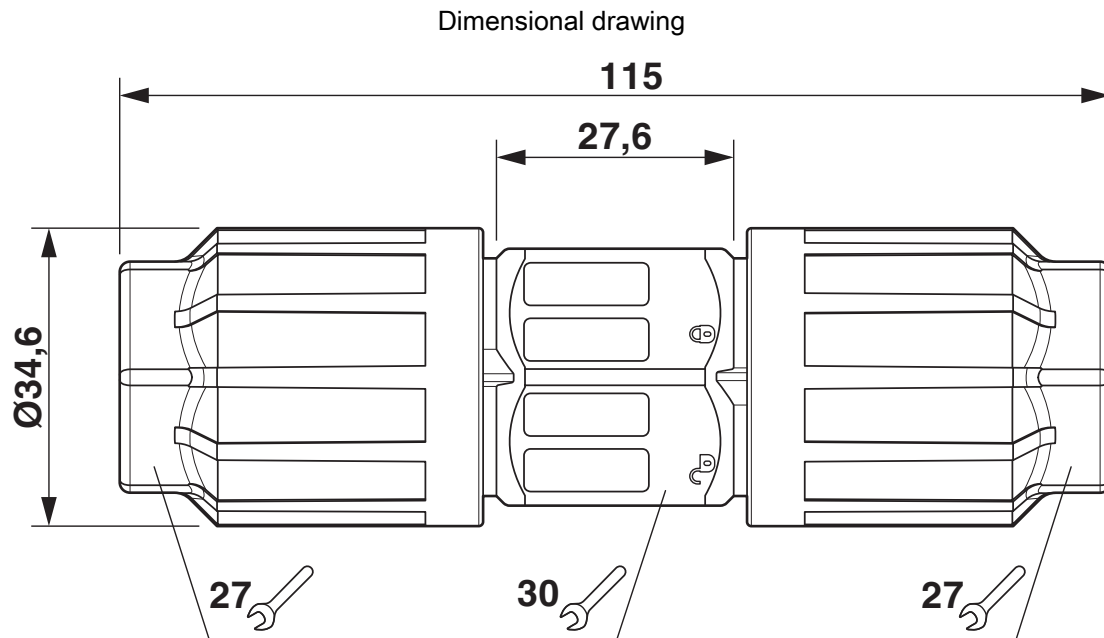
Degree of protection	IP66
	IP68 (2 m / 24 h)
	IP69K
	Touch-proof when not plugged in (IP2X)
Impact strength	IK07
Ambient temperature (operation)	-40 °C ... 100 °C
Temperature when conductor connected	-5 °C ... 50 °C
Ambient temperature (storage/transport)	-40 °C ... 100 °C

# QPD C 4PE2,5 2X9-16 GY - Conductor connector

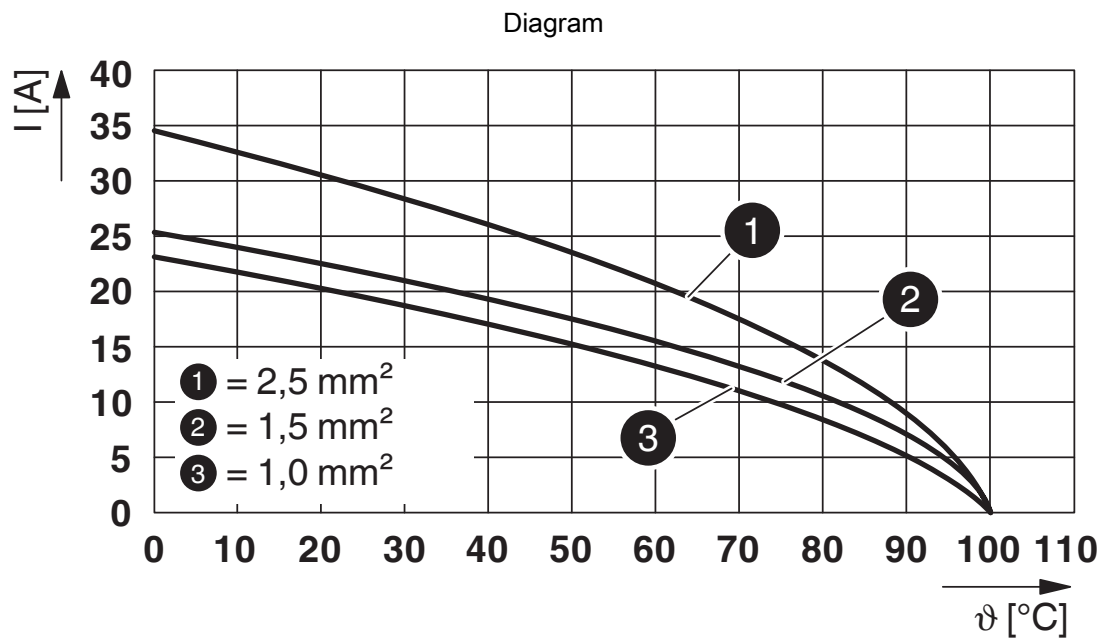
1403835

<https://www.phoenixcontact.com/us/products/1403835>

## Drawings



QPD C 5x2.5 dimensional drawing



Derating diagram

1403835

<https://www.phoenixcontact.com/us/products/1403835>

## Approvals

To download certificates, visit the product detail page: <https://www.phoenixcontact.com/us/products/1403835>



**IECEE CB Scheme**  
Approval ID: DE1-65875



**DNV GL**  
Approval ID: TAE00003J5



**VDE Zeichengenehmigung**  
Approval ID: 40029149



**UL Listed**  
Approval ID: E468743



**cUL Listed**  
Approval ID: E468743



**IECEE CB Scheme**  
Approval ID: DE1-65875



**VDE Zeichengenehmigung**  
Approval ID: 40029149



**cUL Listed**  
Approval ID: E468743



**UL Listed**  
Approval ID: E468743



**DNV GL**  
Approval ID: TAE00003J5

# QPD C 4PE2,5 2X9-16 GY - Conductor connector



1403835

<https://www.phoenixcontact.com/us/products/1403835>

## Classifications

### ECLASS

ECLASS-13.0	27440605
ECLASS-15.0	27440605

### ETIM

ETIM 10.0	EC002560
-----------	----------

### UNSPSC

UNSPSC 21.0	39121400
-------------	----------

# QPD C 4PE2,5 2X9-16 GY - Conductor connector



1403835

<https://www.phoenixcontact.com/us/products/1403835>

## Environmental product compliance

### EU RoHS

Fulfills EU RoHS substance requirements	Yes, No exemptions
---	--------------------

### China RoHS

Environment friendly use period (EFUP)	EFUP-E
	No hazardous substances above the limits

### EU REACH SVHC

REACH candidate substance (CAS No.)	No substance above 0.1 wt%
-------------------------------------	----------------------------

Phoenix Contact 2026 © - all rights reserved  
<https://www.phoenixcontact.com>

Phoenix Contact USA  
586 Fulling Mill Road  
Middletown, PA 17057, United States  
(+717) 944-1300  
[info@phoenixcon.com](mailto:info@phoenixcon.com)