

# QPD N 2,5 9-16 NOR - Nut

1403801

<https://www.phoenixcontact.com/us/products/1403801>



Please be informed that the data shown in this PDF document is generated from our online catalog. Please find the complete data in the user documentation. Our general terms of use for downloads are valid.



QUICKON nut, white, 4+PE-pos., 1.0 mm<sup>2</sup> ... 2.5 mm<sup>2</sup>/690 V/20 A, for cables with 9 mm ... 16 mm diameter.

As shown in the illustration but with a white housing

## Commercial data

Item number	1403801
Packing unit	100 pc
Minimum order quantity	1 pc
Product key	AF6UCX
GTIN	4046356668026
Weight per piece (including packing)	70.838 g
Weight per piece (excluding packing)	70.838 g
Country of origin	PL

# QPD N 2,5 9-16 NOR - Nut



1403801

<https://www.phoenixcontact.com/us/products/1403801>

## Technical data

### Product properties

Product type	Installation pressure nut
Product family	QPD
Type	QPD 5x2,5
Number of positions	5
Connection profile	4+PE
Number of connections	10

### Insulation characteristics

Overvoltage category	III
Degree of pollution	3

### Electrical properties

Rated surge voltage (II/2)	8 kV
Rated surge voltage (III/2)	8 kV
Rated surge voltage (III/3)	8 kV
Rated current	20 A
rated voltage (II/2)	1000 V
rated voltage (III/2)	1000 V
Rated voltage (III/3)	690 V
Nominal current $I_N$	20 A

### Connection data

#### Connection technology

Connection method On the field side	IDC connection
Frequency of connections between conductors of the same cross section	max. 10

#### Conductor connection

Conductor cross-section flexibel	1 mm <sup>2</sup> ... 2.5 mm <sup>2</sup>
Conductor cross-section solid	1 mm <sup>2</sup> ... 2.5 mm <sup>2</sup>
Connection cross section AWG	16 ... 14
Tightening torque Union nut	10 Nm
Tightening torque Locking nut	5 Nm
Wrench size Union nut	27 mm
Wrench size Locking nut	30 mm

### Material specifications

Material Housing	PA
Flammability rating according to UL 94	V0
Material wire insulation	PVC/PE/TPE/rubber
Contact carrier material	PA

# QPD N 2,5 9-16 NOR - Nut



1403801

<https://www.phoenixcontact.com/us/products/1403801>

## Cable/line

Structure of individual litz in acc. with VDE 0295 / smallest wire diameter	VDE 0295 class 1 to 6/min. 0.15 mm
External cable diameter	9 mm ... 16 mm
Wire diameter including insulation	2 mm ... 3.8 mm
Material wire insulation	PVC / PE

## Environmental and real-life conditions

### Ambient conditions

Degree of protection	IP66
	IP68 (2 m / 24 h)
	IP69K
	Touch-proof when not plugged in (IP2X)
Impact strength	IK07
Ambient temperature (operation)	-40 °C ... 100 °C
Temperature when conductor connected	-5 °C ... 50 °C
Ambient temperature (storage/transport)	-40 °C ... 80 °C

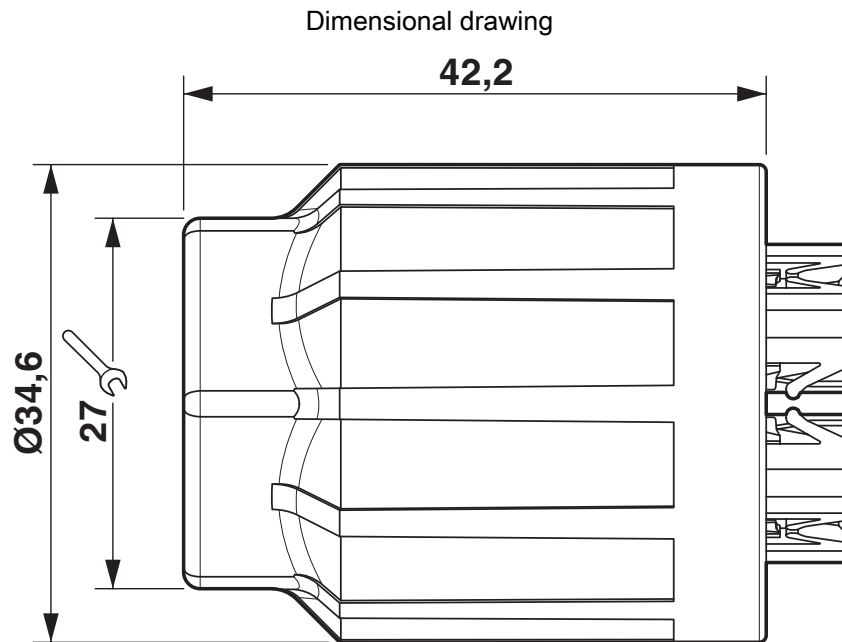
# QPD N 2,5 9-16 NOR - Nut

1403801

<https://www.phoenixcontact.com/us/products/1403801>



## Drawings



Dimensional drawing of the QPD nut 5x2,5

# QPD N 2,5 9-16 NOR - Nut

1403801

<https://www.phoenixcontact.com/us/products/1403801>



## Classifications

### ECLASS

ECLASS-13.0	27440605
ECLASS-15.0	27440691

### ETIM

ETIM 9.0	EC002560
----------	----------

### UNSPSC

UNSPSC 21.0	39121400
-------------	----------

# QPD N 2,5 9-16 NOR - Nut

1403801

<https://www.phoenixcontact.com/us/products/1403801>



## Environmental product compliance

### China RoHS

Environment friendly use period (EFUP)	EFUP-50
	An article-related China RoHS declaration table can be found in the download area for the respective article under "Manufacturer declaration". For all articles with EFUP-E, no China RoHS declaration table issued and required.

### EU REACH SVHC

REACH candidate substance (CAS No.)	No substance above 0.1 wt%
-------------------------------------	----------------------------

Phoenix Contact 2026 © - all rights reserved  
<https://www.phoenixcontact.com>

Phoenix Contact USA  
586 Fulling Mill Road  
Middletown, PA 17057, United States  
(+717) 944-1300  
[info@phoenixcon.com](mailto:info@phoenixcon.com)