

QPD P 4PE2,5 6-11 GY - Connector



1403783

<https://www.phoenixcontact.com/us/products/1403783>

Please be informed that the data shown in this PDF document is generated from our online catalog. Please find the complete data in the user documentation. Our general terms of use for downloads are valid.



Connector, connection method: IDC connection, number of positions: 4+PE, 1 mm² ... 2.5 mm², 690 V, 20 A, PA, gray, external cable diameter: 6 mm ... 11 mm

Commercial data

Item number	1403783
Packing unit	1 pc
Minimum order quantity	1 pc
Sales key	BF50
Product key	AF6BCB
GTIN	4046356667142
Weight per piece (including packing)	74.8 g
Weight per piece (excluding packing)	74.8 g
Customs tariff number	85366990
Country of origin	PL

QPD P 4PE2,5 6-11 GY - Connector



1403783

<https://www.phoenixcontact.com/us/products/1403783>

Technical data

Product properties

Product type	Installation connector
Product family	QPD
Type	QPD 5x2,5
Number of positions	5
Connection profile	4+PE
Position marking	1, 2, L, N, PE
Number of connections	5
Number of connections per position	1

Insulation characteristics

Overvoltage category	III
Degree of pollution	3

Electrical properties

Rated surge voltage (II/2)	8 kV
Rated surge voltage (III/2)	8 kV
Rated surge voltage (III/3)	6 kV
Rated current	20 A
Contact resistance	< 4 mΩ
rated voltage (II/2)	1000 V
rated voltage (III/2)	1000 V
Rated voltage (III/3)	690 V
Nominal voltage U_N	690 V AC 690 V DC
Nominal current I_N	20 A

Connection data

Connection technology

Connection method On the field side	IDC connection
Frequency of connections between conductors of the same cross section	max. 10

Conductor connection

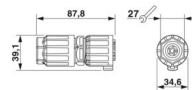
Conductor cross-section flexibel	1 mm ² ... 2.5 mm ²
Conductor cross-section solid	1 mm ² ... 1.5 mm ²
Connection cross section AWG	16 ... 14
Tightening torque Union nut	10 Nm

Dimensions

QPD P 4PE2,5 6-11 GY - Connector

1403783

<https://www.phoenixcontact.com/us/products/1403783>

Dimensional drawing	
Width	34.6 mm
Height	39.1 mm
Length	87.8 mm
Diameter	39.1 mm

Material specifications

Color	light gray (RAL 7035)
Material Housing	PA
Material Contact	Cu
Material Contact surface	silver-plated
Material Seal	NBR
Flammability rating according to UL 94	V0
Material wire insulation	PVC / PE

Cable/line

Structure of individual litz in acc. with VDE 0295 / smallest wire diameter	VDE 0295 class 1 to 6/min. 0.15 mm
External cable diameter	6 mm ... 11 mm
Wire diameter including insulation	2 mm ... 3.8 mm
Position marking	1, 2, L, N, PE
Material wire insulation	PVC / PE

Mechanical properties

Mechanical data

Insertion/withdrawal cycles	max. 50
-----------------------------	---------

Environmental and real-life conditions

Ambient conditions

Degree of protection	IP66
	IP68 (2 m / 24 h)
	IP69K
	Touch-proof when not plugged in (IP2X)
Impact strength	IK07
Ambient temperature (operation)	-40 °C ... 100 °C
Temperature when conductor connected	-5 °C ... 50 °C
Ambient temperature (storage/transport)	-40 °C ... 80 °C

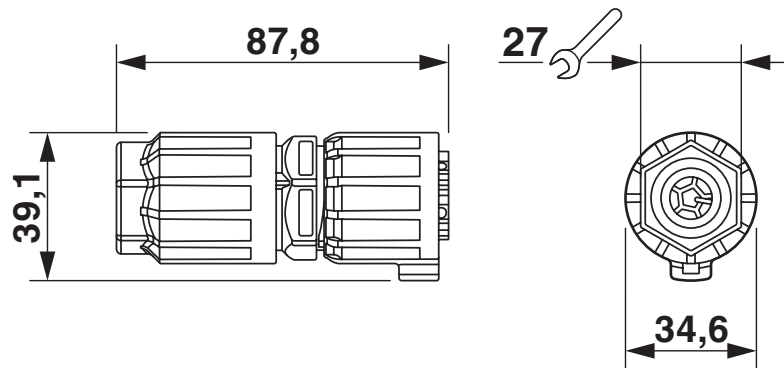
QPD P 4PE2,5 6-11 GY - Connector

1403783

<https://www.phoenixcontact.com/us/products/1403783>

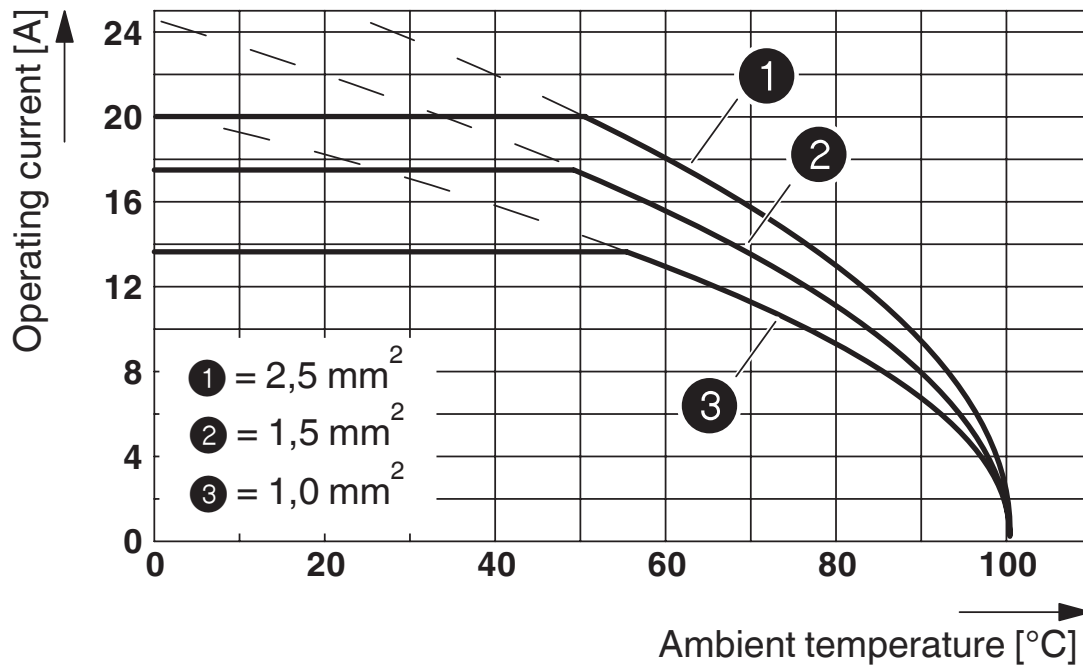
Drawings

Dimensional drawing



Dimensional drawing: connector, 2.5 mm²

Diagram



QPD P 4PE2,5 6-11 GY - Connector



1403783

<https://www.phoenixcontact.com/us/products/1403783>

Approvals

To download certificates, visit the product detail page: <https://www.phoenixcontact.com/us/products/1403783>



IECEE CB Scheme
Approval ID: DE1-65875



DNV GL
Approval ID: TAE00003J5



VDE Zeichengenehmigung
Approval ID: 40029149



UL Listed
Approval ID: E468743



cUL Listed
Approval ID: E468743



IECEE CB Scheme
Approval ID: DE1-65875



VDE Zeichengenehmigung
Approval ID: 40029149



cUL Listed
Approval ID: E468743



UL Listed
Approval ID: E468743



DNV GL
Approval ID: TAE00003J5

QPD P 4PE2,5 6-11 GY - Connector



1403783

<https://www.phoenixcontact.com/us/products/1403783>

Classifications

ECLASS

ECLASS-13.0	27440605
ECLASS-15.0	27440605

ETIM

ETIM 10.0	EC002560
-----------	----------

UNSPSC

UNSPSC 21.0	39121400
-------------	----------

QPD P 4PE2,5 6-11 GY - Connector



1403783

<https://www.phoenixcontact.com/us/products/1403783>

Environmental product compliance

EU RoHS

Fulfills EU RoHS substance requirements	Yes, No exemptions
---	--------------------

China RoHS

Environment friendly use period (EFUP)	EFUP-E
	No hazardous substances above the limits

EU REACH SVHC

REACH candidate substance (CAS No.)	No substance above 0.1 wt%
-------------------------------------	----------------------------

EF3.1 Climate Change

CO2e kg	1.079 kg CO2e
---------	---------------

Phoenix Contact 2026 © - all rights reserved
<https://www.phoenixcontact.com>

Phoenix Contact USA
586 Fulling Mill Road
Middletown, PA 17057, United States
(+717) 944-1300
info@phoenixcon.com