

# QPD W 4PE2,5 M20 0,5 GY - Panel feed-through



1403738

<https://www.phoenixcontact.com/us/products/1403738>

Please be informed that the data shown in this PDF document is generated from our online catalog. Please find the complete data in the user documentation. Our general terms of use for downloads are valid.



Panel feed-through, connection method: Single wires (Welded-on), number of positions: 4+PE, M20, Pin, 1 mm<sup>2</sup> ... 2.5 mm<sup>2</sup>, 690 V, 20 A, PA, gray, without QUICKON nut, coding: coded, external cable diameter: 6 mm ... 10 mm, 2.5 mm<sup>2</sup>, wires cut flat at the end, cable length: 0.5 m

## Commercial data

Item number	1403738
Packing unit	1 pc
Note	Made to order (non-returnable)
Sales key	BF50
Product key	AF6ACB
GTIN	4046356665124
Weight per piece (including packing)	108.7 g
Weight per piece (excluding packing)	108.7 g
Customs tariff number	85444290
Country of origin	PL

# QPD W 4PE2,5 M20 0,5 GY - Panel feed-through



1403738

<https://www.phoenixcontact.com/us/products/1403738>

## Technical data

### Product properties

Product type	Panel feed-through
Product family	QPD
Type	QPD 5x2,5
Number of positions	5
Connection profile	4+PE
Position marking	1, 2, L, N, PE
Number of connections	10
Number of connections per position	1
Coding	coded

### Insulation characteristics

Overvoltage category	III
Degree of pollution	3

## Connection data

### Connection technology

Connection method On the device side	Single wires (Welded-on)
Frequency of connections between conductors of the same cross section	max. 10

### Conductor connection

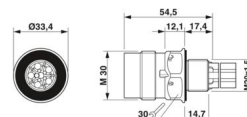
Conductor cross-section flexibel	1 mm <sup>2</sup> ... 2.5 mm <sup>2</sup>
Conductor cross-section solid	1 mm <sup>2</sup> ... 2.5 mm <sup>2</sup>
Connection cross section AWG	16 ... 14
Tightening torque Union nut	10 Nm
Tightening torque Locking nut	5 Nm
Wrench size Union nut	27 mm
Wrench size Locking nut	30 mm

### Connection assignment

Contact   Color (signal designation)   Contact (optional)	1   BK
	2   BN
	3   GY
	N   BU
	PE   GNYE

## Dimensions

### Dimensional drawing



# QPD W 4PE2,5 M20 0,5 GY - Panel feed-through



1403738

<https://www.phoenixcontact.com/us/products/1403738>

Width	34.6 mm
Height	34.6 mm
Length	53 mm
Diameter	34.6 mm
Wrench size	27 mm
Wrench size for mounting	27 mm

## Electrical properties

Rated surge voltage (II/2)	8 kV
Rated surge voltage (III/2)	8 kV
Rated surge voltage (III/3)	6 kV
Rated current	20 A
Contact resistance	< 3 mΩ
rated voltage (II/2)	1000 V
rated voltage (III/2)	1000 V
Rated voltage (III/3)	690 V
Nominal voltage $U_N$	690 V AC 690 V DC
Nominal current $I_N$	20 A

## Mechanical properties

### Mechanical data

Insertion/withdrawal cycles	max. 50
-----------------------------	---------

## Material specifications

Material Housing	PA
Material Contact	Cu
Material Contact surface	silver-plated
Flammability rating according to UL 94	V0
Material wire insulation	PVC / PE

## Cable/line

Cable length	0.5 m
Structure of individual litz in acc. with VDE 0295 / smallest wire diameter	VDE 0295 class 1 to 6/min. 0.15 mm
External cable diameter	6 mm ... 10 mm
Wire diameter including insulation	2 mm ... 3.8 mm
Position marking	1, 2, L, N, PE
Single wire, color	black, brown, gray, blue, green/yellow
Cable cross section	2.5 mm <sup>2</sup>
Material wire insulation	PVC/PE/TPE/rubber

## Mounting

Mounting type	Front mounting M20
---------------	--------------------

# QPD W 4PE2,5 M20 0,5 GY - Panel feed-through



1403738

<https://www.phoenixcontact.com/us/products/1403738>

## Environmental and real-life conditions

### Ambient conditions

Degree of protection	IP66
	IP68 (2 m / 24 h)
	IP69K
Impact strength	IK07
Ambient temperature (operation)	-40 °C ... 100 °C
Temperature when conductor connected	-5 °C ... 50 °C
Ambient temperature (storage/transport)	-40 °C ... 80 °C

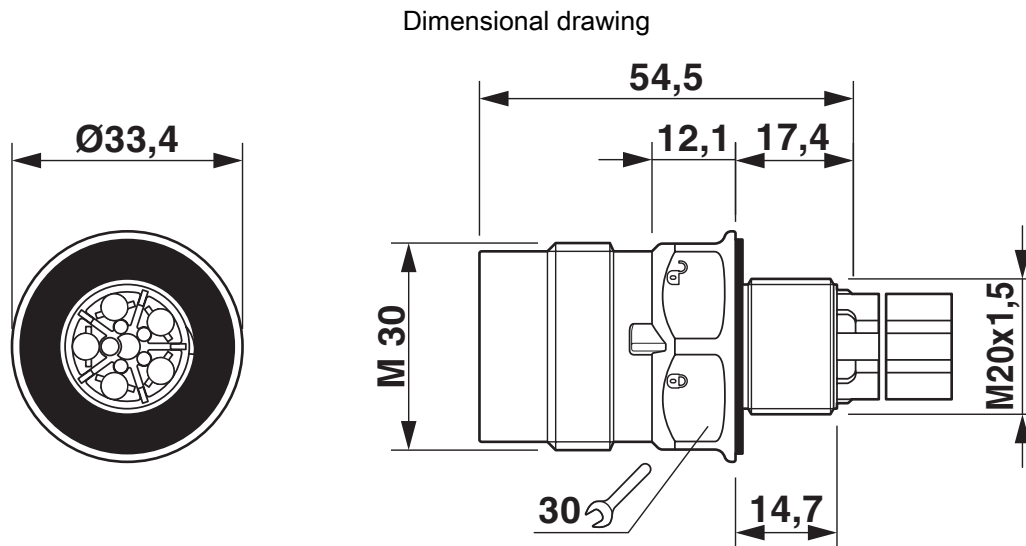
# QPD W 4PE2,5 M20 0,5 GY - Panel feed-through



1403738

<https://www.phoenixcontact.com/us/products/1403738>

## Drawings



Dimensional drawing of the QPD W 5x2,5 M20 without nut



Housing cutout

# QPD W 4PE2,5 M20 0,5 GY - Panel feed-through



1403738

<https://www.phoenixcontact.com/us/products/1403738>

## Classifications

### ECLASS

ECLASS-13.0	27440602
ECLASS-15.0	27440602

### ETIM

ETIM 9.0	EC002566
----------	----------

### UNSPSC

UNSPSC 21.0	39121500
-------------	----------

# QPD W 4PE2,5 M20 0,5 GY - Panel feed-through



1403738

<https://www.phoenixcontact.com/us/products/1403738>

## Environmental product compliance

### EU RoHS

Fulfills EU RoHS substance requirements	Yes, No exemptions
---	--------------------

### China RoHS

Environment friendly use period (EFUP)	EFUP-50
	An article-related China RoHS declaration table can be found in the download area for the respective article under "Manufacturer declaration". For all articles with EFUP-E, no China RoHS declaration table issued and required.

### EU REACH SVHC

REACH candidate substance (CAS No.)	No substance above 0.1 wt%
-------------------------------------	----------------------------

Phoenix Contact 2026 © - all rights reserved

<https://www.phoenixcontact.com>

Phoenix Contact USA  
586 Fulling Mill Road  
Middletown, PA 17057, United States  
(+717) 944-1300  
[info@phoenixcon.com](mailto:info@phoenixcon.com)