

QPD W 4PE2,5 9-16 M20 FC GY - Panel feed-through



1403736

<https://www.phoenixcontact.com/us/products/1403736>

Please be informed that the data shown in this PDF document is generated from our online catalog. Please find the complete data in the user documentation. Our general terms of use for downloads are valid.



Panel feed-through, connection method: Spade connection (For slip-on sleeves according to DIN 46247-2)/ IDC connection, number of positions: 4+PE, M20, Pin, 1 mm² ... 2.5 mm², 690 V, 15 A, PA, gray, with QUICKON nut, coding: coded, external cable diameter: 9 mm ... 16 mm

Commercial data

| | |
|--------------------------------------|---------------|
| Item number | 1403736 |
| Packing unit | 1 pc |
| Minimum order quantity | 1 pc |
| Product key | AF6ACB |
| GTIN | 4046356665100 |
| Weight per piece (including packing) | 59.7 g |
| Weight per piece (excluding packing) | 59.7 g |
| Country of origin | PL |

1403736

<https://www.phoenixcontact.com/us/products/1403736>

Technical data

Product properties

| | |
|------------------------------------|--------------------|
| Product type | Panel feed-through |
| Product family | QPD |
| Type | QPD 5x2,5 |
| Number of positions | 5 |
| Connection profile | 4+PE |
| Position marking | 1, 2, L, N, PE |
| Number of connections | 10 |
| Number of connections per position | 1 |
| Coding | coded |

Insulation characteristics

| | |
|----------------------|-----|
| Overvoltage category | III |
| Degree of pollution | 3 |

Connection data

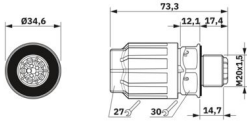
Connection technology

| | |
|---|---|
| Connection method On the device side | Spade connection (For slip-on sleeves according to DIN 46247-2) |
| Connection method On the field side | IDC connection |
| Frequency of connections between conductors of the same cross section | max. 10 |

Conductor connection

| | |
|----------------------------------|---|
| Conductor cross-section flexibel | 1 mm ² ... 2.5 mm ² |
| Conductor cross-section solid | 1 mm ² ... 2.5 mm ² |
| Connection cross section AWG | 16 ... 14 |
| Tightening torque Union nut | 10 Nm |
| Tightening torque Locking nut | 5 Nm |
| Wrench size Union nut | 27 mm |
| Wrench size Locking nut | 30 mm |

Dimensions

| | |
|---------------------|--|
| Dimensional drawing |  |
| Width | 34.6 mm |
| Height | 34.6 mm |
| Length | 71.8 mm |
| Diameter | 34.6 mm |
| Wrench size | 30 mm |

1403736

<https://www.phoenixcontact.com/us/products/1403736>

| | |
|----------------------------------|--------------|
| Wrench size for mounting | 30 mm |
| Dimensions of slip-on connection | 2.8 x 0.8 mm |

Electrical properties

| | |
|-----------------------------|--------|
| Rated surge voltage (II/2) | 8 kV |
| Rated surge voltage (III/2) | 8 kV |
| Rated surge voltage (III/3) | 6 kV |
| Rated current | 20 A |
| Contact resistance | < 3 mΩ |
| rated voltage (II/2) | 1250 V |
| rated voltage (III/2) | 1000 V |
| Rated voltage (III/3) | 690 V |
| Nominal voltage U_N | 690 V |
| Nominal current I_N | 15 A |

Material specifications

| | |
|--|---------------|
| Material Housing | PA |
| Material Contact | Cu |
| Material Contact surface | silver-plated |
| Flammability rating according to UL 94 | V0 |
| Material wire insulation | PVC / PE |

Cable/line

| | |
|---|------------------------------------|
| Structure of individual litz in acc. with VDE 0295 / smallest wire diameter | VDE 0295 class 1 to 6/min. 0.15 mm |
| External cable diameter | 9 mm ... 16 mm |
| Wire diameter including insulation | 2 mm ... 3.8 mm |
| Position marking | 1, 2, L, N, PE |
| Material wire insulation | PVC/PE/TPE/rubber |

Mounting

| | |
|---------------|--------------------|
| Mounting type | Front mounting M20 |
|---------------|--------------------|

Environmental and real-life conditions

Ambient conditions

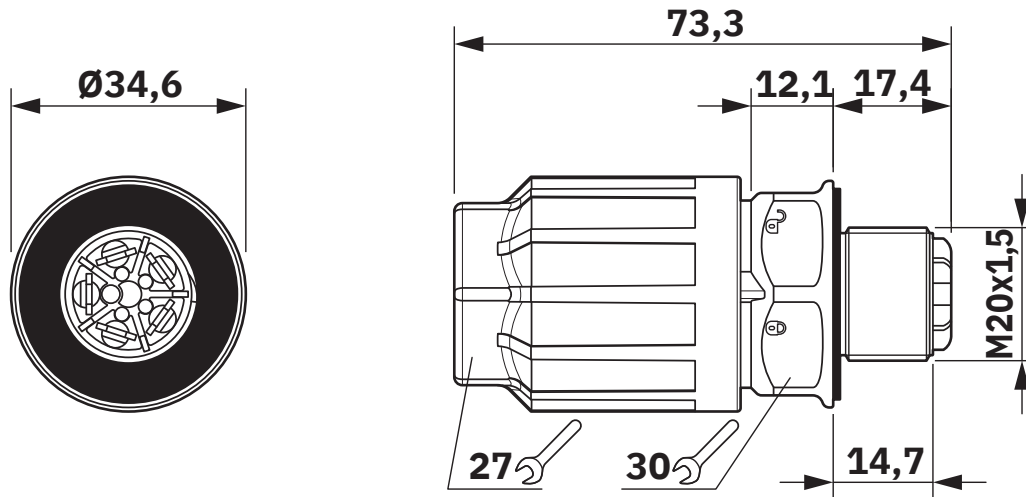
| | |
|---|-------------------|
| Degree of protection | IP66 |
| | IP68 (2 m / 24 h) |
| | IP69K |
| Impact strength | IK07 |
| Ambient temperature (operation) | -40 °C ... 100 °C |
| Temperature when conductor connected | -5 °C ... 50 °C |
| Ambient temperature (storage/transport) | -40 °C ... 80 °C |

1403736

<https://www.phoenixcontact.com/us/products/1403736>

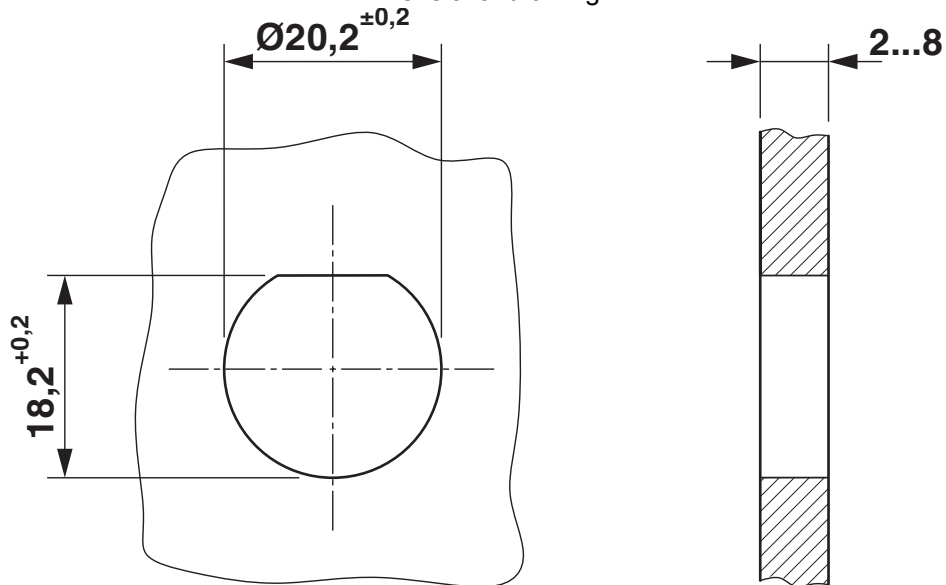
Drawings

Dimensional drawing



Dimensional drawing of the QPD W 5x2,5 M20

Dimensional drawing



Housing cutout

1403736

<https://www.phoenixcontact.com/us/products/1403736>

Classifications

ECLASS

| | |
|-------------|----------|
| ECLASS-13.0 | 27440602 |
| ECLASS-15.0 | 27440602 |

ETIM

| | |
|----------|----------|
| ETIM 9.0 | EC002566 |
|----------|----------|

QPD W 4PE2,5 9-16 M20 FC GY - Panel feed-through



1403736

<https://www.phoenixcontact.com/us/products/1403736>

Environmental product compliance

EU REACH SVHC

| REACH candidate substance (CAS No.) | |
|-------------------------------------|--|
|-------------------------------------|--|

| | |
|--|----------------------------|
| | No substance above 0.1 wt% |
|--|----------------------------|

Phoenix Contact 2026 © - all rights reserved

<https://www.phoenixcontact.com>

Phoenix Contact USA
586 Fulling Mill Road
Middletown, PA 17057, United States
(+717) 944-1300
info@phoenixcon.com