

# VS-MP-PPC/CG-XL-PO/10G - Coupling



1403688

<https://www.phoenixcontact.com/us/products/1403688>

Please be informed that the data shown in this PDF document is generated from our online catalog. Please find the complete data in the user documentation. Our general terms of use for downloads are valid.



Multi-port power and data connection: push/pull power and RJ45, 10 Gbps, for passive PROFINET cabling to robots, including mounting foot.

## Product description

Push/pull power and data coupling; version 14

## Commercial data

Item number	1403688
Packing unit	1 pc
Note	Made to order (non-returnable)
Sales key	NULL
Product key	ABNOEB
GTIN	4046356664370
Weight per piece (including packing)	459.4 g
Weight per piece (excluding packing)	40 g
Customs tariff number	85366990
Country of origin	DE

# VS-MP-PPC/CG-XL-PO/10G - Coupling



1403688

<https://www.phoenixcontact.com/us/products/1403688>

## Technical data

### Product properties

Product type	Network distributor box
Connection profile	Data/power: 8/5-pos.

### Electrical properties

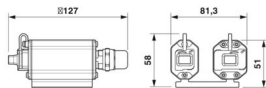
Rated voltage (III/3)	72 V (DC)
Nominal voltage $U_N$	24 V
Nominal current $I_N$	16 A
Transmission characteristics (category)	CAT6 <sub>A</sub>

### Connection data

#### Connection technology

Connection method	Spring connection / IDC
-------------------	-------------------------

### Dimensions

Dimensional drawing	
Width	66 mm
Height	51 mm
Length	115 mm

### Material specifications

Housing material	Aluminum press-drawn section / die-cast zinc
------------------	--

### Cable/line

External cable diameter	7 mm ... 10.5 mm (Data cable gland)
-------------------------	-------------------------------------

### Mechanical properties

#### Mechanical data

Insertion/withdrawal cycles	> 1000 (Data)
	≤ 100 (Power)

### Environmental and real-life conditions

#### Ambient conditions

Degree of protection	IP65
Ambient temperature (operation)	-40 °C ... 70 °C

# VS-MP-PPC/CG-XL-PO/10G - Coupling

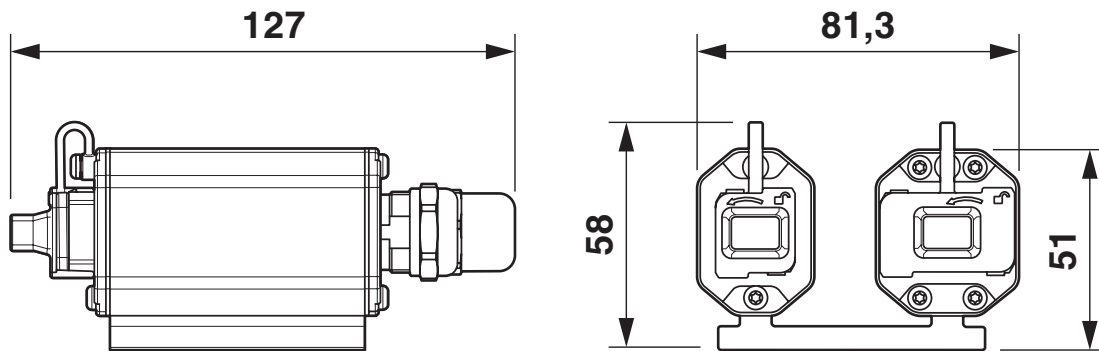


1403688

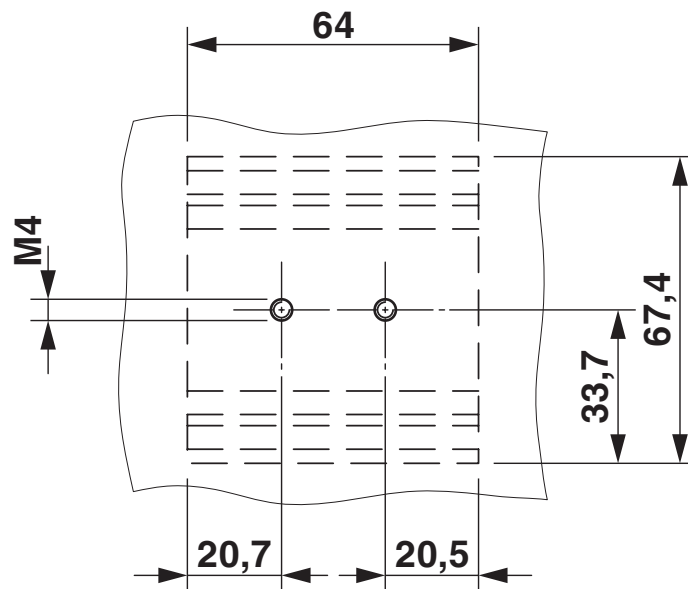
<https://www.phoenixcontact.com/us/products/1403688>

## Drawings

Dimensional drawing



Drilling plan/solder pad geometry



Phoenix Contact 2026 © - all rights reserved  
<https://www.phoenixcontact.com>

Phoenix Contact USA  
586 Fulling Mill Road  
Middletown, PA 17057, United States  
(+717) 944-1300  
[info@phoenixcon.com](mailto:info@phoenixcon.com)