

VS-MP-PPC/CG-XL-10G - Coupling



1403686

<https://www.phoenixcontact.com/us/products/1403686>

Please be informed that the data shown in this PDF document is generated from our online catalog. Please find the complete data in the user documentation. Our general terms of use for downloads are valid.



Multi-port data connection: RJ45, 10 Gbps, for passive PROFINET cabling to robots, including mounting foot.

Commercial data

Item number	1403686
Packing unit	1 pc
Note	Made to order (non-returnable)
Sales key	NULL
Product key	ABNOEB
GTIN	4046356664356
Weight per piece (including packing)	274.7 g
Weight per piece (excluding packing)	274.7 g
Customs tariff number	85366990
Country of origin	DE

VS-MP-PPC/CG-XL-10G - Coupling

1403686

<https://www.phoenixcontact.com/us/products/1403686>

Technical data

Product properties

Product type	Network distributor box
Connection profile	Data: 8-pos.

Electrical properties

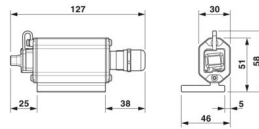
Rated voltage (III/3)	72 V (DC)
Transmission characteristics (category)	CAT6 _A

Connection data

Connection technology

Connection method	IDC
-------------------	-----

Dimensions

Dimensional drawing	
Width	38 mm
Height	51 mm
Length	115 mm

Material specifications

Housing material	Aluminum press-drawn section / die-cast zinc
------------------	--

Cable/line

External cable diameter	7 mm ... 10.5 mm (Data cable gland)
-------------------------	-------------------------------------

Mechanical properties

Mechanical data

Insertion/withdrawal cycles	> 1000 (Data)
-----------------------------	---------------

Environmental and real-life conditions

Ambient conditions

Degree of protection	IP65
Ambient temperature (operation)	-40 °C ... 70 °C

VS-MP-PPC/CG-XL-10G - Coupling

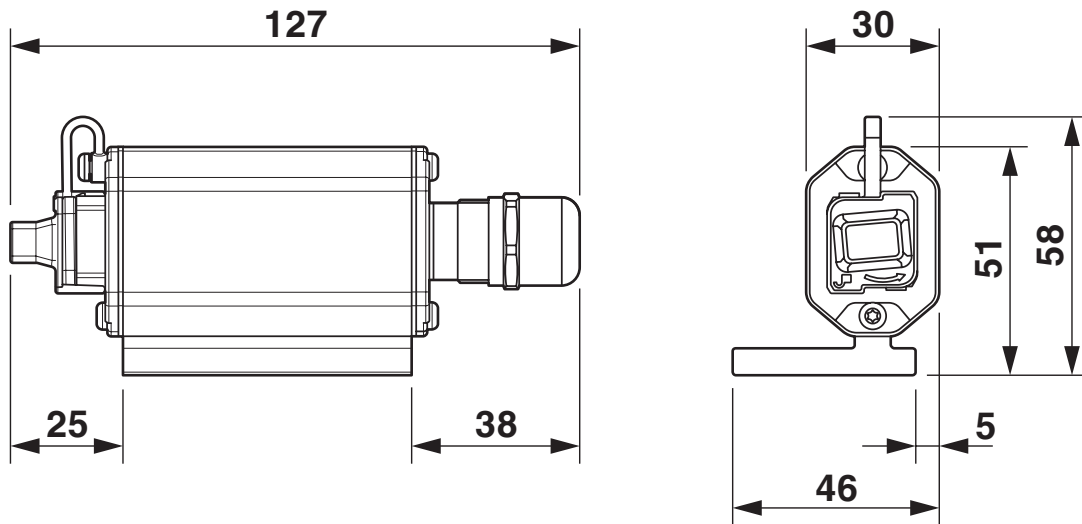


1403686

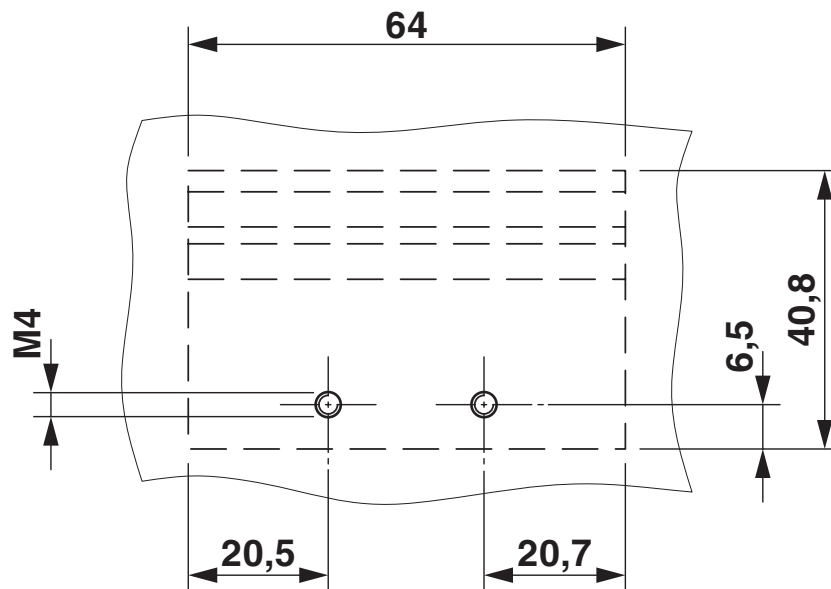
<https://www.phoenixcontact.com/us/products/1403686>

Drawings

Dimensional drawing



Drilling plan/solder pad geometry



Phoenix Contact 2026 © - all rights reserved
<https://www.phoenixcontact.com>

Phoenix Contact USA
586 Fulling Mill Road
Middletown, PA 17057, United States
(+717) 944-1300
info@phoenixcon.com