

Q 1,5/4A15/24-M20KU-ESA BK PE - Panel feed-through



1403470

<https://www.phoenixcontact.com/us/products/1403470>

Please be informed that the data shown in this PDF document is generated from our online catalog. Please find the complete data in the user documentation. Our general terms of use for downloads are valid.



Panel feed-through with 1.5 mm² wire output and 0.15 m litz wire, connecting thread: M20, 4-pos.

Your advantages

- Robust throughout: housing with IP65/IP67 protection for a wide range of applications

Commercial data

Item number	1403470
Packing unit	1 pc
Minimum order quantity	50 pc
Product key	AF6ABA
GTIN	4046356654807
Weight per piece (including packing)	42.7 g
Weight per piece (excluding packing)	42.7 g
Country of origin	PL

Q 1,5/4A15/24-M20KU-ESA BK PE - Panel feed-through



1403470

<https://www.phoenixcontact.com/us/products/1403470>

Technical data

Product properties

Product type	Panel feed-through
Number of positions	4
Connection profile	4
Number of connections	4

Insulation characteristics

Overvoltage category	III
Degree of pollution	3

Connection data

Connection technology

Connection method On the device side	Single wires (10 cm long; 1.5 mm ²)
Connection method On the field side	IDC connection
Frequency of connections between conductors of the same cross section	max. 10 (if the conductor is connected more than once, seal and cap may need to be replaced.)

Conductor connection

Conductor cross-section flexibel	0.75 mm ² ... 1.5 mm ²
Conductor cross-section solid	0.75 mm ² ... 1 mm ²
Connection cross section AWG	18 ... 16
Tightening torque Union nut	3 Nm
Tightening torque Contact carrier	4.5 Nm
Tightening torque Locking nut	4.5 Nm
Wrench size Union nut	19 mm
Wrench size Contact carrier	24 mm

Connection assignment

Contact Color (signal designation) Contact (optional)	1 BK
	2 BN
	3 GY
	4 GNYE

Electrical properties

Rated surge voltage (II/2)	6 kV
Rated surge voltage (III/2)	6 kV
Rated surge voltage (III/3)	6 kV
Rated current	15 A
rated voltage (II/2)	1000 V (with insulating sleeve)
rated voltage (III/2)	800 V (with insulating sleeve)
Rated voltage (III/3)	500 V (with insulating sleeve PT/FS 4,8. Without insulating sleeve 250 V AC.)
Nominal voltage U _N	500 V

Q 1,5/4A15/24-M20KU-ESA BK PE - Panel feed-through



1403470

<https://www.phoenixcontact.com/us/products/1403470>

Nominal current I_N	17.5 A
-----------------------	--------

Material specifications

Color	black (RAL 9005)
Material Housing	PA
Material Contact surface	tin-plated
Flammability rating according to UL 94	V0
Material wire insulation	PVC / PE

Cable/line

Cable length	0.1 m
Structure of individual litz in acc. with VDE 0295 / smallest wire diameter	VDE 0295 class 1 to 6/min. 0.15 mm
External cable diameter	6 mm ... 12 mm
Wire diameter including insulation	1.8 mm ... 3 mm
Material wire insulation	PVC / PE

Mounting

Mounting type	M20
Assembly note	If the conductor is reconnected, it must be cut off above the last contact point. QUICKON components may only be operated when under no load.

Environmental and real-life conditions

Ambient conditions

Degree of protection	IP65
	IP67
Impact strength	IK07
Ambient temperature (operation)	-40 °C ... 80 °C (specifications of the cable manufacturer must also be observed)
	-25 °C ... 50 °C (when the conductor is connected. Specifications of the cable manufacturer must also be observed.)
Temperature when conductor connected	-5 °C ... 50 °C (specifications of the cable manufacturer must also be observed)

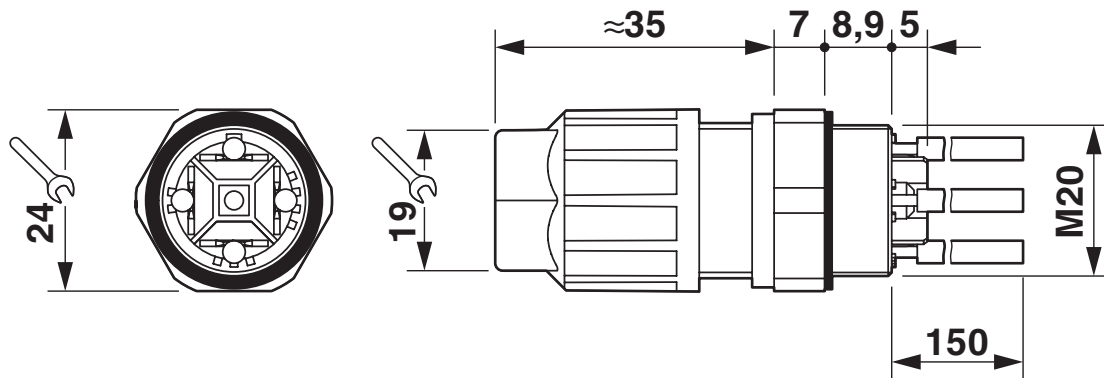
Q 1,5/4A15/24-M20KU-ESA BK PE - Panel feed-through

1403470

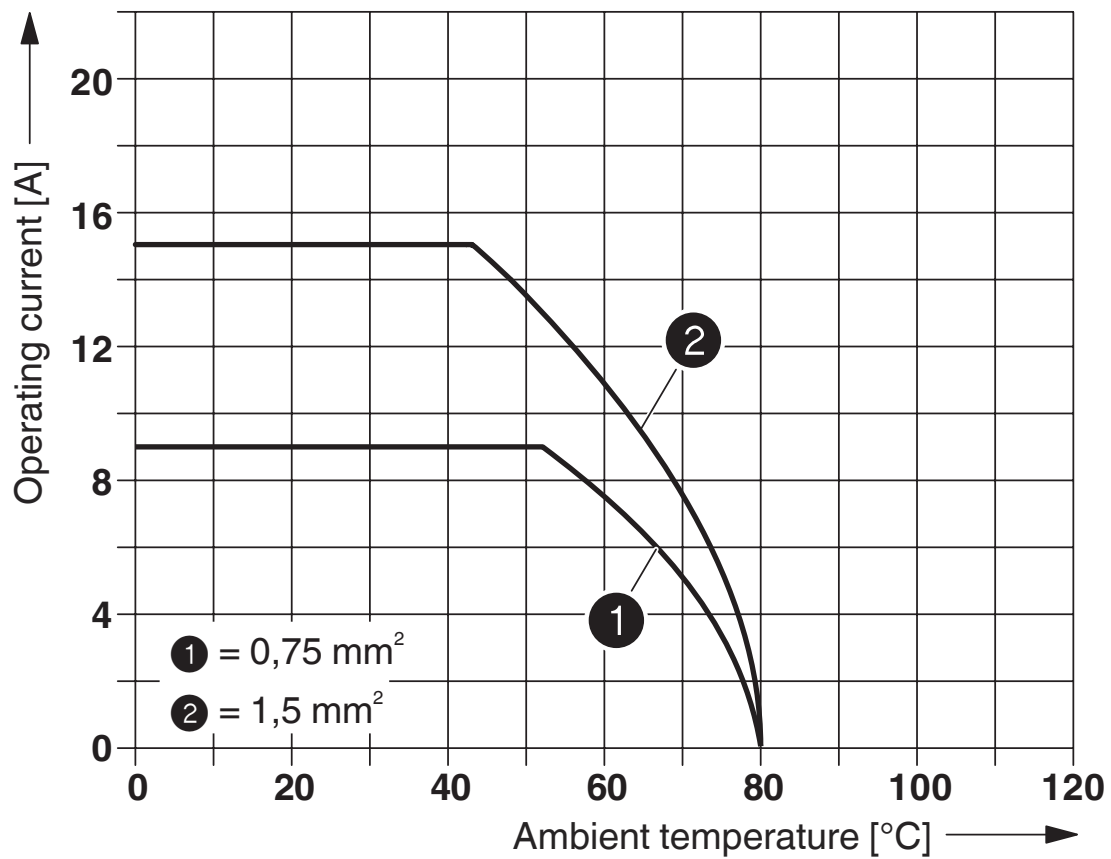
<https://www.phoenixcontact.com/us/products/1403470>

Drawings

Dimensional drawing



Diagram



Q 1,5/4A15/24-M20KU-ESA BK PE - Panel feed-through



1403470

<https://www.phoenixcontact.com/us/products/1403470>

Classifications

ECLASS

ECLASS-13.0	27440602
ECLASS-15.0	27440602

UNSPSC

UNSPSC 21.0	39121500
-------------	----------

Q 1,5/4A15/24-M20KU-ESA BK PE - Panel feed-through



1403470

<https://www.phoenixcontact.com/us/products/1403470>

Environmental product compliance

EU RoHS

Fulfills EU RoHS substance requirements	Yes, No exemptions
---	--------------------

China RoHS

Environment friendly use period (EFUP)	EFUP-E
	No hazardous substances above the limits

EU REACH SVHC

REACH candidate substance (CAS No.)	No substance above 0.1 wt%
-------------------------------------	----------------------------

Phoenix Contact 2026 © - all rights reserved
<https://www.phoenixcontact.com>

Phoenix Contact USA
586 Fulling Mill Road
Middletown, PA 17057, United States
(+717) 944-1300
info@phoenixcon.com