

SACC-E-MS-4CON-M16/0,5 0,14SCO - Flush-type connector



1403190

<https://www.phoenixcontact.com/us/products/1403190>

Please be informed that the data shown in this PDF document is generated from our online catalog. Please find the complete data in the user documentation. Our general terms of use for downloads are valid.



Sensor/actuator flush-type plug, 4-pos., M12 SPEEDCON, A-coded, front/screw mounting with M16 thread, with 0.5 m TPE litz wire, 4 x 0.14 mm²

Commercial data

Item number	1403190
Packing unit	1 pc
Minimum order quantity	50 pc
Product key	ABQYAA
GTIN	4046356642811
Weight per piece (including packing)	15.6 g
Weight per piece (excluding packing)	15.6 g
Country of origin	DE

SACC-E-MS-4CON-M16/0,5 0,14SCO - Flush-type connector



1403190

<https://www.phoenixcontact.com/us/products/1403190>

Technical data

Product properties

Number of positions	4
No. of cable outlets	1
Shielded	no
Coding	A

Insulation characteristics

Overvoltage category	II
Degree of pollution	3

Electrical properties

Contact resistance	$\leq 3 \text{ m}\Omega$
Insulation resistance	$\geq 100 \text{ M}\Omega$
Nominal voltage U_N	250 V
Nominal current I_N	4 A

Connection data

Connection method	Individual wires
-------------------	------------------

Signaling

Status display	no
Status display present	no

Material specifications

Flammability rating according to UL 94	V0
Seal material	NBR
Contact material	CuZn
Contact surface material	Ni/Au
Contact carrier material	PA 6.6
Material for screw connection	Zinc die-cast, nickel-plated
Conductor material	Tin-plated Cu litz wires

Connector

Connection 1

Head design	Plug
Head cable outlet	straight
Head thread type	M12
Head locking type	SPEEDCON
Coding	A

Cable/line

Cable length	0.5 m
--------------	-------

SACC-E-MS-4CON-M16/0,5 0,14SCO - Flush-type connector



1403190

<https://www.phoenixcontact.com/us/products/1403190>

Cable type	TPE litz wire
Single wire, color	brown, white, blue, black
Cable cross section	0.14 mm ²
Conductor material	Tin-plated Cu litz wires
Material wire insulation	TPE
Thickness, insulation	Core insulation

Environmental and real-life conditions

Ambient conditions

Degree of protection	IP67
Ambient temperature (operation)	-25 °C ... 85 °C (Plug / socket)
	-25 °C ... 90 °C (cable, fixed installation)

Standards and regulations

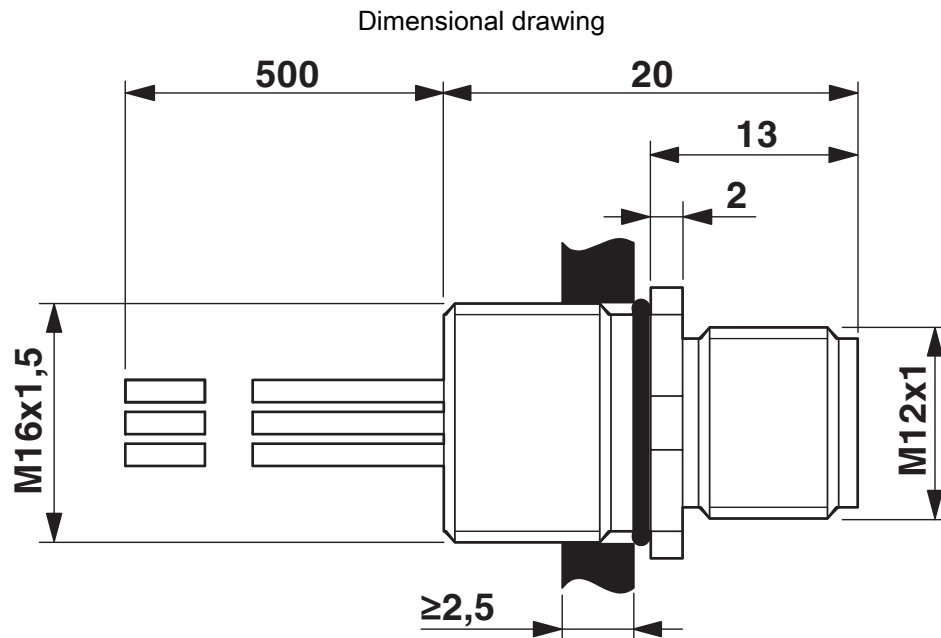
Standard designation	M12 connector
Standards/specifications	IEC 61076-2-101

SACC-E-MS-4CON-M16/0,5 0,14SCO - Flush-type connector

1403190

<https://www.phoenixcontact.com/us/products/1403190>

Drawings



M12 flush-type plug

SACC-E-MS-4CON-M16/0,5 0,14SCO - Flush-type connector

1403190

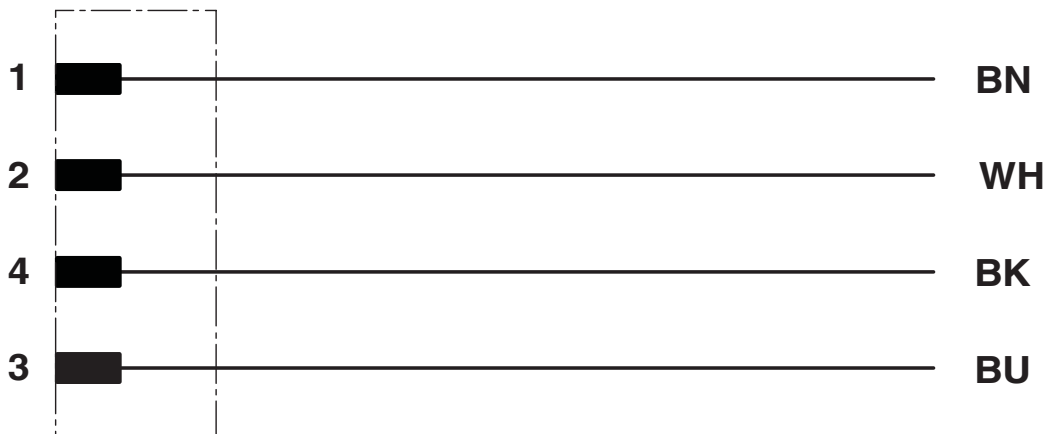
<https://www.phoenixcontact.com/us/products/1403190>

Schematic diagram



Pin assignment M12 plug, 4-pos., A-coded, view plug side

Circuit diagram



Contact assignment of the M12 plug and the M12 socket

SACC-E-MS-4CON-M16/0,5 0,14SCO - Flush-type connector



1403190

<https://www.phoenixcontact.com/us/products/1403190>

Phoenix Contact 2026 © - all rights reserved

<https://www.phoenixcontact.com>

Phoenix Contact USA
586 Fulling Mill Road
Middletown, PA 17057, United States
(+717) 944-1300
info@phoenixcon.com