

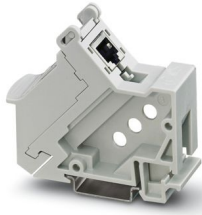
# VS-PP-F-RJ45-10G - Patch panel



1403154

<https://www.phoenixcontact.com/us/products/1403154>

Please be informed that the data shown in this PDF document is generated from our online catalog. Please find the complete data in the user documentation. Our general terms of use for downloads are valid.



Patch panel, degree of protection: IP20, number of positions: 8, material: PC-GF, connection method: IDC fast connection, color: gray

## Your advantages

- DIN rail mounting

## Commercial data

Item number	1403154
Packing unit	1 pc
Note	Made to order (non-returnable)
Sales key	NULL
Product key	ABNMAY
GTIN	4055626005874
Weight per piece (including packing)	99.6 g
Weight per piece (excluding packing)	60.8 g
Customs tariff number	85369010
Country of origin	CH

# VS-PP-F-RJ45-10G - Patch panel

1403154

<https://www.phoenixcontact.com/us/products/1403154>

## Technical data

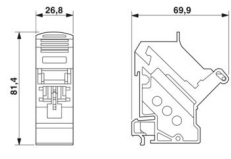
### Product properties

Product type	Patch panel
Number of positions	8
No. of cable outlets	1
Number of slots	1
Shielded	yes

### Connection data

Connection method	IDC fast connection
-------------------	---------------------

### Dimensions

Dimensional drawing	
Width	26.8 mm
Height	71 mm
Length	81.4 mm

### Material specifications

Color	gray
Flammability rating according to UL 94	V0
Housing material	PC-GF
Contact material	Copper alloy
Contact surface material	Gold over nickel
Contact carrier material	PC

### Mechanical properties

#### Mechanical data

Insertion/withdrawal cycles	≥ 750
-----------------------------	-------

### Environmental and real-life conditions

#### Ambient conditions

Degree of protection	IP20
	IP20
Ambient temperature (operation)	-10 °C ... 60 °C
Ambient temperature (storage/transport)	-40 °C ... 70 °C

### Mounting

Mounting type	DIN rail mounting
---------------	-------------------

# VS-PP-F-RJ45-10G - Patch panel

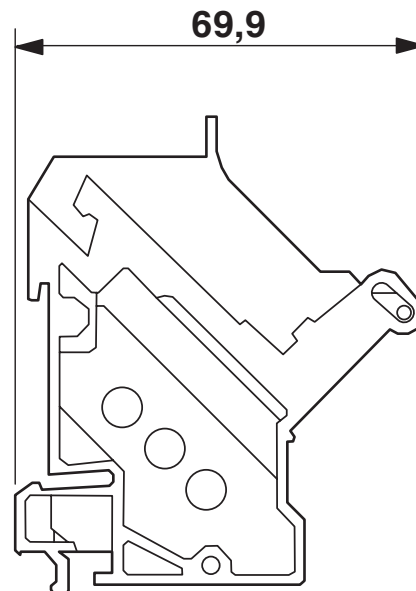
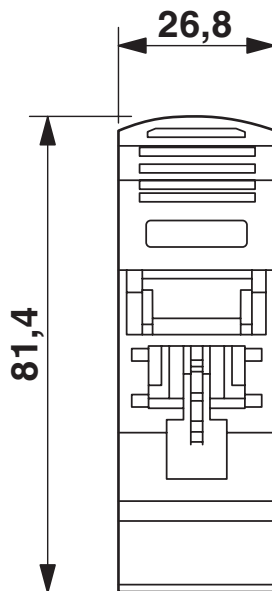
1403154

<https://www.phoenixcontact.com/us/products/1403154>



## Drawings

Dimensional drawing



# VS-PP-F-RJ45-10G - Patch panel



1403154

<https://www.phoenixcontact.com/us/products/1403154>

## Environmental product compliance

### EU RoHS

Fulfills EU RoHS substance requirements	Yes, No exemptions
---	--------------------

### China RoHS

Environment friendly use period (EFUP)	EFUP-E
	No hazardous substances above the limits

### EU REACH SVHC

REACH candidate substance (CAS No.)	No substance above 0.1 wt%
-------------------------------------	----------------------------

Phoenix Contact 2026 © - all rights reserved  
<https://www.phoenixcontact.com>

Phoenix Contact USA  
586 Fulling Mill Road  
Middletown, PA 17057, United States  
(+717) 944-1300  
[info@phoenixcon.com](mailto:info@phoenixcon.com)