

# VS-04-MS-IP67 - USB memory stick



1402489

<https://www.phoenixcontact.com/us/products/1402489>

Please be informed that the data shown in this PDF document is generated from our online catalog. Please find the complete data in the user documentation. Our general terms of use for downloads are valid.

USB memory stick, IP67, 8 GB, USB 2.0, designed to connect through the panel mounting frame VS-A-F-IP67 on the VARIOSUB-USB socket inserts



## Product description

With USB extension cable (connector A to socket A) 1.5 m

## Commercial data

Item number	1402489
Packing unit	1 pc
Note	Made to order (non-returnable)
Sales key	NULL
Product key	ABNABS
GTIN	4046356621427
Weight per piece (including packing)	86.6 g
Weight per piece (excluding packing)	86.6 g
Customs tariff number	85444290
Country of origin	DE

# VS-04-MS-IP67 - USB memory stick



1402489

<https://www.phoenixcontact.com/us/products/1402489>

## Technical data

### Product properties

Product type	Storage medium
Number of positions	4

### Electrical properties

Transmission characteristics (category)	USB 2.0
---	---------

### Environmental and real-life conditions

#### Ambient conditions

Degree of protection	IP67
Ambient temperature (operation)	-15 °C ... 60 °C

# VS-04-MS-IP67 - USB memory stick

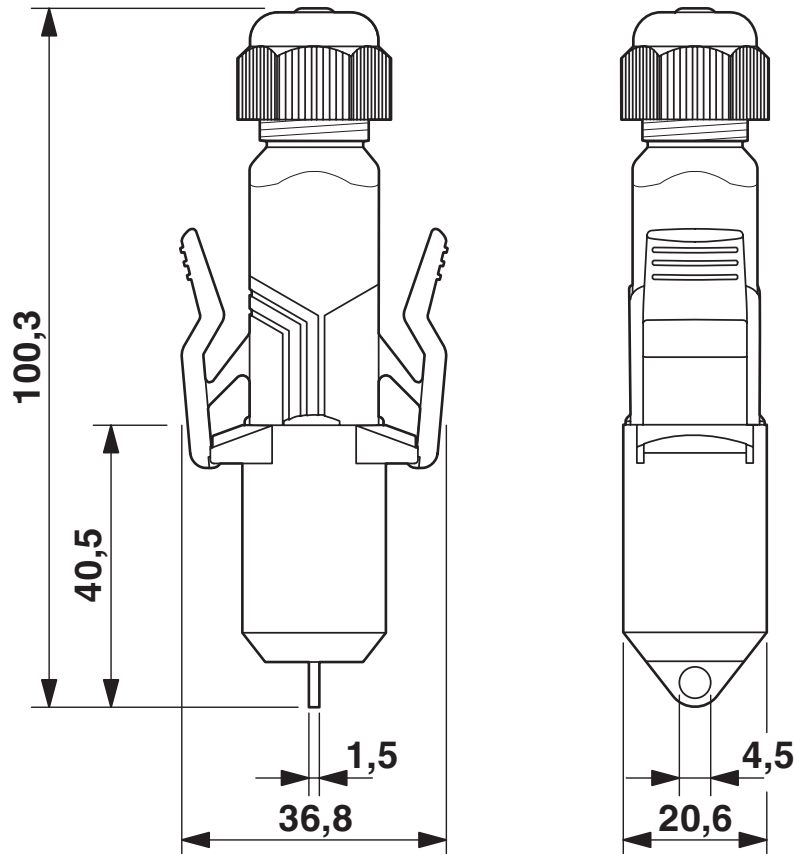
1402489

<https://www.phoenixcontact.com/us/products/1402489>



## Drawings

Dimensional drawing



USB memory stick, IP67

# VS-04-MS-IP67 - USB memory stick



1402489

<https://www.phoenixcontact.com/us/products/1402489>

## Classifications

### ECLASS

ECLASS-13.0	27060307
ECLASS-15.0	27060307

# VS-04-MS-IP67 - USB memory stick



1402489

<https://www.phoenixcontact.com/us/products/1402489>

## Environmental product compliance

### China RoHS

Environment friendly use period (EFUP)	EFUP-50 An article-related China RoHS declaration table can be found in the download area for the respective article under "Manufacturer declaration". For all articles with EFUP-E, no China RoHS declaration table issued and required.
--	--

### EU REACH SVHC

REACH candidate substance (CAS No.)	No substance above 0.1 wt%
-------------------------------------	----------------------------

Phoenix Contact 2026 © - all rights reserved  
<https://www.phoenixcontact.com>

Phoenix Contact USA  
586 Fulling Mill Road  
Middletown, PA 17057, United States  
(+717) 944-1300  
[info@phoenixcon.com](mailto:info@phoenixcon.com)