

VS-08-RJ45-Q - RJ45 connector



1402420

<https://www.phoenixcontact.com/us/products/1402420>

Please be informed that the data shown in this PDF document is generated from our online catalog. Please find the complete data in the user documentation. Our general terms of use for downloads are valid.



RJ45 connector, degree of protection: IP20, number of positions: 8, 1 Gbps, CAT5 (IEC 11801:2002), material: PA 6.6, connection method: IDC fast connection, connection cross section: AWG 26- 24, cable outlet: straight, color: green

Commercial data

Item number	1402420
Packing unit	1 pc
Note	Made to order (non-returnable)
Sales key	NULL
Product key	ABNAAE
GTIN	4046356615501
Weight per piece (including packing)	12.1 g
Weight per piece (excluding packing)	12.1 g
Customs tariff number	85366990
Country of origin	DE

VS-08-RJ45-Q - RJ45 connector



1402420

<https://www.phoenixcontact.com/us/products/1402420>

Technical data

Product properties

Product type	Data connector (cable side)
Type	RJ45, IP20
Sensor type	Ethernet
Number of positions	8
Connection profile	RJ45
No. of cable outlets	1
Shielded	yes
Cable outlet	straight

Insulation characteristics

Overvoltage category	I
Degree of pollution	2

Electrical properties

Rated surge voltage	330 kV
	330 V
Rated current	1.75 A
Frequency range	to 100 MHz
Nominal voltage U_N	48 V
Nominal current I_N	1.75 A
Contact resistance	0.001 Ω (Wire – IDC)
	0.005 Ω (Litz wires – IDC)
Transmission speed	1 Gbps
Transmission characteristics (category)	CAT5 (IEC 11801:2002)
Transmission speed	1 Gbps

Connection data

Connection technology

Connection method	IDC fast connection
Connection cross section AWG	26 ... 24 (solid)
	26 ... 24 (7-wire)
Conductor cross-section	0.13 mm ² ... 0.21 mm ² (solid)
	0.14 mm ² ... 0.23 mm ² (7-wire)

Interfaces

Signal type/category	Ethernet CAT5 (IEC 11801:2002), 1 Gbps
----------------------	--

Dimensions

Width	13.3 mm
Height	17.2 mm
Length	55.6 mm

VS-08-RJ45-Q - RJ45 connector



1402420

<https://www.phoenixcontact.com/us/products/1402420>

Material specifications

Color	green
Flammability rating according to UL 94	V2
Housing material	PA 6.6
Contact material	CuSn

Cable/line

Signal type/category	Ethernet CAT5 (IEC 11801:2002), 1 Gbps
External cable diameter	4.5 mm ... 8 mm
External cable diameter	4.5 mm ... 8 mm
Wire diameter including insulation	1.6 mm
Single wire, cross section	0.14 mm ² 0.23 mm ²

Mechanical properties

Mechanical data

Insertion/withdrawal cycles	≥ 750
-----------------------------	-------

VS-08-RJ45-Q - RJ45 connector

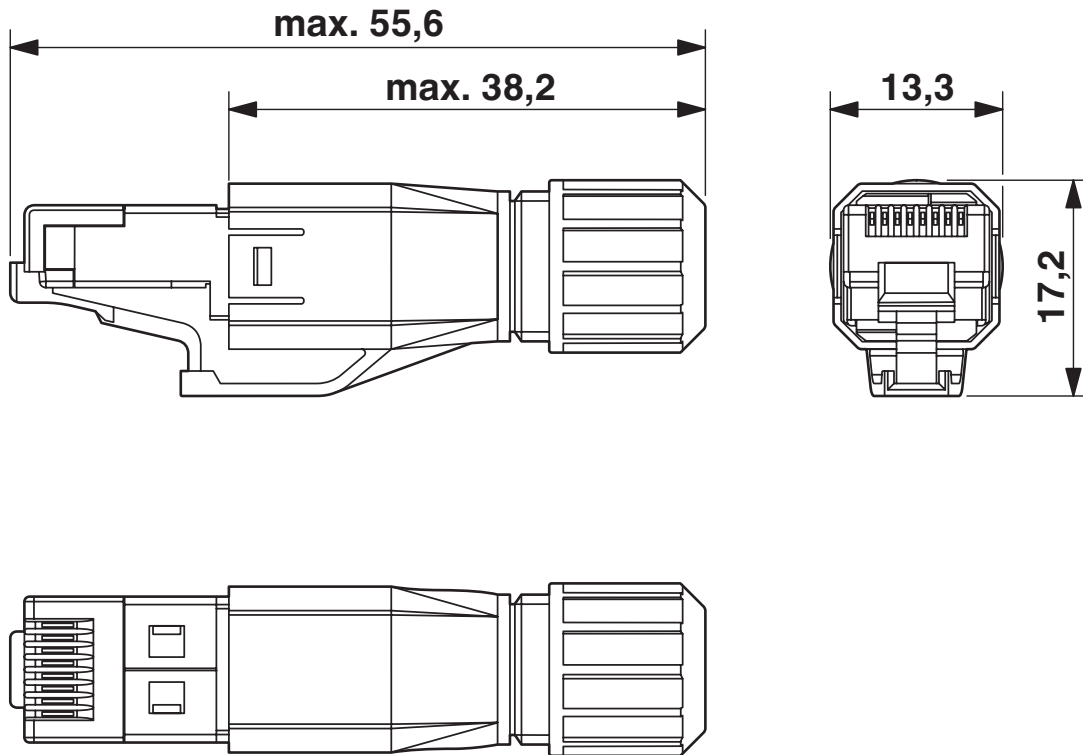
1402420

<https://www.phoenixcontact.com/us/products/1402420>



Drawings

Dimensional drawing



RJ45 connector, IP20

VS-08-RJ45-Q - RJ45 connector



1402420

<https://www.phoenixcontact.com/us/products/1402420>

Environmental product compliance

China RoHS

Environment friendly use period (EFUP)	EFUP-50
	An article-related China RoHS declaration table can be found in the download area for the respective article under "Manufacturer declaration". For all articles with EFUP-E, no China RoHS declaration table issued and required.

EU REACH SVHC

REACH candidate substance (CAS No.)	No substance above 0.1 wt%
-------------------------------------	----------------------------

Phoenix Contact 2026 © - all rights reserved
<https://www.phoenixcontact.com>

Phoenix Contact USA
586 Fulling Mill Road
Middletown, PA 17057, United States
(+717) 944-1300
info@phoenixcon.com