

SAC-3P- 5,0-350/M 8FR - Sensor/actuator cable



1402250

<https://www.phoenixcontact.com/us/products/1402250>

Please be informed that the data shown in this PDF document is generated from our online catalog. Please find the complete data in the user documentation. Our general terms of use for downloads are valid.



Sensor/actuator cable, 3-position, PUR/PVC, black RAL 9005, free cable end, on Socket angled M8, coding: A, cable length: 5 m

Commercial data

Item number	1402250
Packing unit	1 pc
Minimum order quantity	50 pc
Product key	AF1BBA
GTIN	4046356591089
Weight per piece (including packing)	134.5 g
Weight per piece (excluding packing)	134.5 g
Country of origin	DE

SAC-3P- 5,0-350/M 8FR - Sensor/actuator cable



1402250

<https://www.phoenixcontact.com/us/products/1402250>

Technical data

Product properties

Product type	Sensor/actuator cable
Number of positions	3
No. of cable outlets	1
Coding	A

Insulation characteristics

Overvoltage category	II
Degree of pollution	3

Material specifications

Flammability rating according to UL 94	HB
Seal material	NBR
Material of grip body	TPU, hardly inflammable, self-extinguishing
Contact material	CuSn
Contact surface material	Ni/Au
Contact carrier material	TPU GF
Material for screw connection	Zinc die-cast, nickel-plated

Electrical properties

Insulation resistance	$\geq 100 \text{ M}\Omega$
Nominal voltage U_N	48 V AC
	60 V DC
Nominal current I_N	4 A

Signaling

Status display	no
Status display present	no

Connector

Connection 1

Type	free cable end
------	----------------

Connection 2

Type	Socket angled M8
Number of positions	3
Coding type	A

Cable/line

Cable length	5 m
--------------	-----

PUR/PVC black [350]

Cable weight	27 kg/km
--------------	----------

SAC-3P- 5,0-350/M 8FR - Sensor/actuator cable



1402250

<https://www.phoenixcontact.com/us/products/1402250>

UL AWM Style	20549
Number of positions	3
Shielded	no
Cable type	PUR/PVC black [350]
Conductor structure signal line	32x 0.10 mm
AWG signal line	24
Conductor cross-section	3x 0.25 mm ² (Signal line)
Wire diameter incl. insulation	1.32 mm ±0.02 mm
External cable diameter	4.40 mm ±0.15 mm
Outer sheath, material	PUR
External sheath, color	black RAL 9005
Conductor material	Bare Cu litz wires
Material wire insulation	PVC
Single wire, color	brown, blue, black
Thickness, insulation	≥ 0.23 mm (Core insulation)
Inner sheath thickness	approx. 0.35 mm
Thickness, outer sheath	≥ 0.38 mm
Overall twist	3 wires, twisted
Max. conductor resistance	≤ 77.6 Ω/km
Insulation resistance	≥ 100 MΩ*km
Nominal voltage, cable	300 V
Test voltage	2500 V
Smallest bending radius, fixed installation	44 mm
Smallest bending radius, movable installation	44 mm
Dynamic load capacity (bending)	Max. bending cycles: 2000000, Bending radius: 44 mm, Traversing path: 5 m, Traversing rate: 3 m/s
Ambient temperature (operation)	-25 °C ... 80 °C (cable, fixed installation) -5 °C ... 80 °C (Cable, flexible installation)

Environmental and real-life conditions

Ambient conditions

Degree of protection	IP65
	IP67
	IP68
Ambient temperature (operation) (male connector/female connector)	-25 °C ... 90 °C (Plug / socket)

SAC-3P- 5,0-350/M 8FR - Sensor/actuator cable

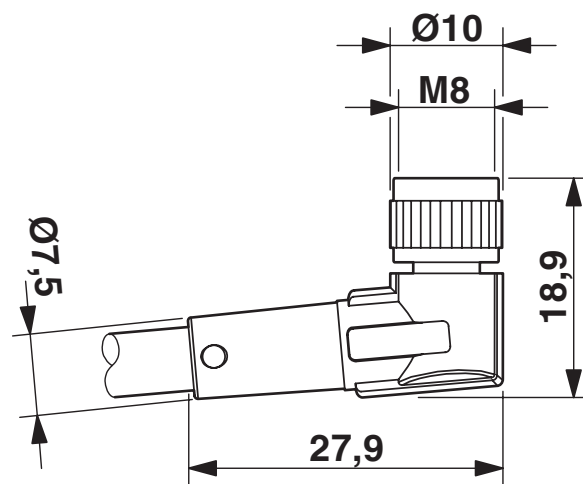
1402250

<https://www.phoenixcontact.com/us/products/1402250>



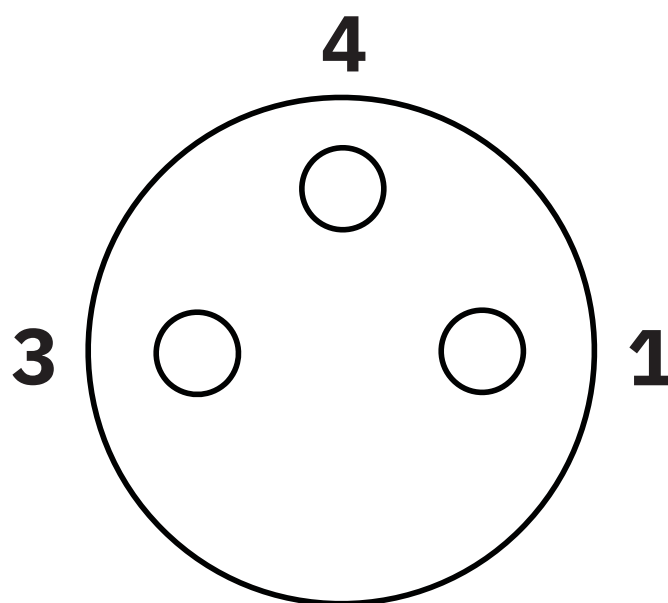
Drawings

Dimensional drawing



Socket M8 x 1, angled

Schematic diagram



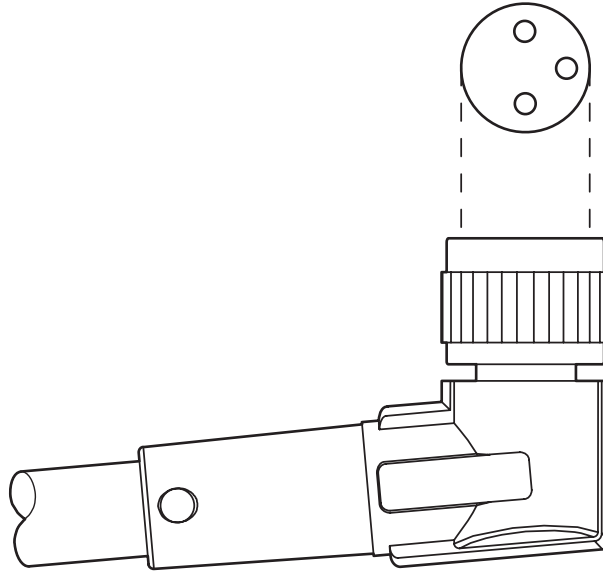
Pin assignment M8 socket, 3-pos., view female side

SAC-3P- 5,0-350/M 8FR - Sensor/actuator cable

1402250

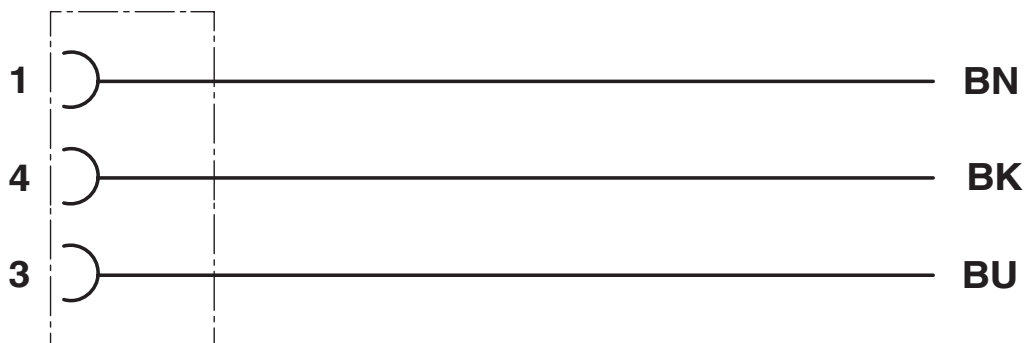
<https://www.phoenixcontact.com/us/products/1402250>

Schematic diagram



Layout of connector pin assignments

Circuit diagram



Contact assignment of M8 socket

SAC-3P- 5,0-350/M 8FR - Sensor/actuator cable



1402250

<https://www.phoenixcontact.com/us/products/1402250>

Classifications

ECLASS

ECLASS-13.0	27060311
ECLASS-15.0	27060311

SAC-3P- 5,0-350/M 8FR - Sensor/actuator cable



1402250

<https://www.phoenixcontact.com/us/products/1402250>

Environmental product compliance

EU RoHS

Fulfills EU RoHS substance requirements	Yes, No exemptions
---	--------------------

China RoHS

Environment friendly use period (EFUP)	EFUP-E
	No hazardous substances above the limits

EU REACH SVHC

REACH candidate substance (CAS No.)	No substance above 0.1 wt%
-------------------------------------	----------------------------

Phoenix Contact 2026 © - all rights reserved
<https://www.phoenixcontact.com>

Phoenix Contact USA
586 Fulling Mill Road
Middletown, PA 17057, United States
(+717) 944-1300
info@phoenixcon.com