

SACC-E-MS-8CON-M16/1,1SCO D-AU - Flush-type connector



1402213

<https://www.phoenixcontact.com/us/products/1402213>

Please be informed that the data shown in this PDF document is generated from our online catalog. Please find the complete data in the user documentation. Our general terms of use for downloads are valid.



Sensor/actuator flush-type plug, 4-pos., M12 SPEEDCON, A-coded, front/screw mounting with M16 thread, with 1.1 m TPE litz wire, 8 x 0.25 mm²

With the following pin assignment: White - 1; yellow - 4; brown - 2; pink - 6; Pin 3,5,7,8 not used

Commercial data

Item number	1402213
Packing unit	1 pc
Minimum order quantity	50 pc
Product key	ABQCEB
GTIN	4046356588577
Weight per piece (including packing)	25.65 g
Weight per piece (excluding packing)	25.3 g
Country of origin	DE

SACC-E-MS-8CON-M16/1,1SCO D-AU - Flush-type connector



1402213

<https://www.phoenixcontact.com/us/products/1402213>

Technical data

Product properties

Number of positions	4
No. of cable outlets	1
Shielded	no
Coding	A

Insulation characteristics

Overvoltage category	II
Degree of pollution	3

Electrical properties

Contact resistance	$\leq 3 \text{ m}\Omega$
Insulation resistance	$\geq 100 \text{ M}\Omega$
Nominal voltage U_N	30 V
Nominal current I_N	2 A
Max. conductor resistance	80 m Ω /m

Signaling

Status display	no
Status display present	no

Material specifications

Flammability rating according to UL 94	V0
Seal material	NBR
Contact material	CuZn
Contact surface material	Au
Contact carrier material	PA 6.6
Material for screw connection	Zinc die-cast, nickel-plated
Conductor material	Tin-plated Cu litz wires

Connector

Connection 1

Head design	Plug
Head cable outlet	straight
Head thread type	M12
Head locking type	SPEEDCON
Coding	A

Cable/line

Cable length	1.1 m
Cable type	TPE litz wire
Wire diameter incl. insulation	1.15 mm \pm 0.07 mm

SACC-E-MS-8CON-M16/1,1SCO D-AU - Flush-type connector



1402213

<https://www.phoenixcontact.com/us/products/1402213>

Single wire, color	white, brown, yellow, pink
Cable cross section	0.25 mm ²
Conductor material	Tin-plated Cu litz wires
Conductor structure signal line	14x 0.15 mm
AWG signal line	24
Material wire insulation	TPE
Thickness, insulation	0.21 mm (Core insulation)
Nominal voltage, cable	300 V
Test voltage, cable	2000 V AC
Cable resistance	≤ 80 mΩ/m
Cable insulation resistance	≥ 20 MΩ*km

Environmental and real-life conditions

Ambient conditions

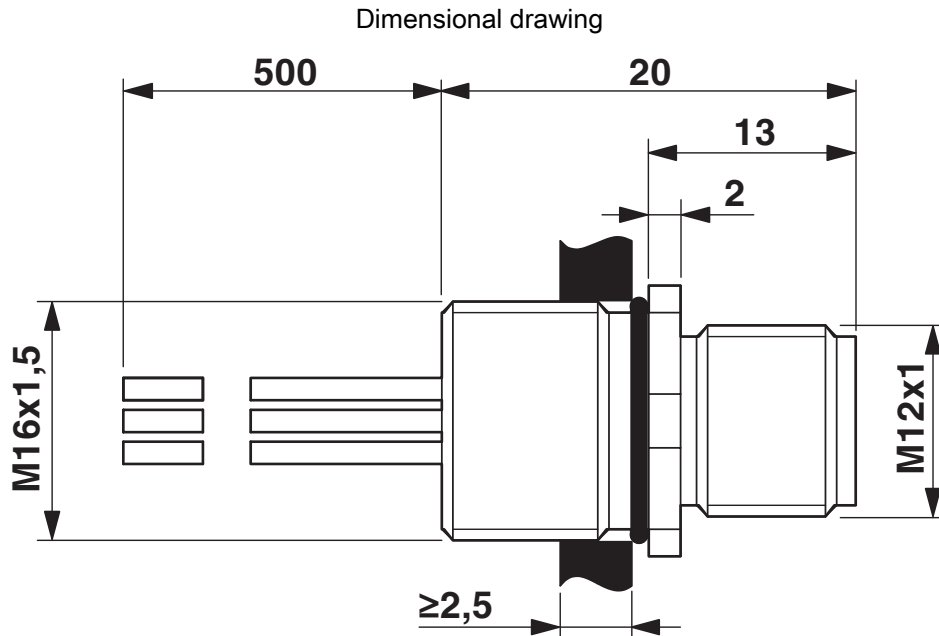
Degree of protection	IP67
Ambient temperature (operation)	-25 °C ... 85 °C (Plug / socket)
	-25 °C ... 90 °C (cable, fixed installation)

SACC-E-MS-8CON-M16/1,1SCO D-AU - Flush-type connector

1402213

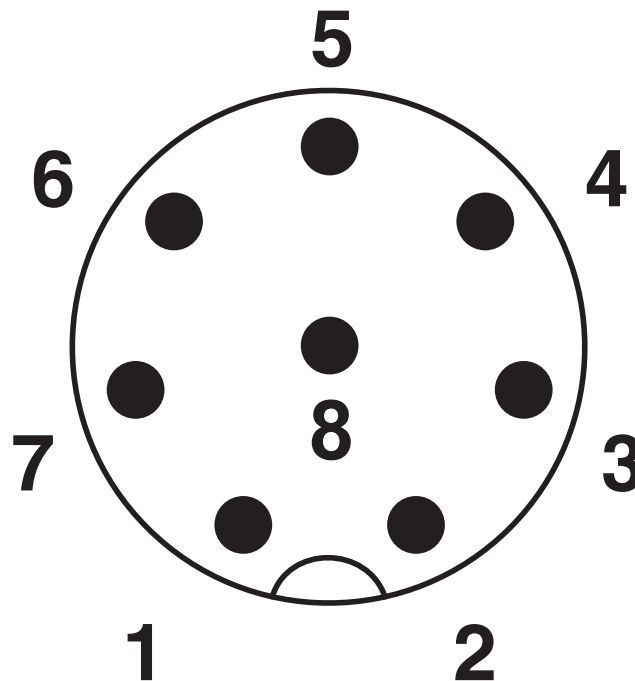
<https://www.phoenixcontact.com/us/products/1402213>

Drawings



M12 flush-type plug

Schematic diagram



Pin assignment M12 plug, 8-pos., view plug side

SACC-E-MS-8CON-M16/1,1SCO D-AU - Flush-type connector



1402213

<https://www.phoenixcontact.com/us/products/1402213>

Phoenix Contact 2026 © - all rights reserved

<https://www.phoenixcontact.com>

Phoenix Contact USA
586 Fulling Mill Road
Middletown, PA 17057, United States
(+717) 944-1300
info@phoenixcon.com