

HC-B32-TFQ-80-O1STM(32-20-12)G - Housing



1402203

<https://www.phoenixcontact.com/us/products/1402203>

Please be informed that the data shown in this PDF document is generated from our online catalog. Please find the complete data in the user documentation. Our general terms of use for downloads are valid.



HEAVYCON sleeve housing B32, for double locking latch, height 80 mm, without support
1xM32, 1xM20, 1xM12, straight conductor exit

Commercial data

Item number	1402203
Packing unit	10 pc
Minimum order quantity	1 pc
Note	Made to order (non-returnable)
Sales key	BF55
Product key	AF7AAC
GTIN	4046356587785
Weight per piece (including packing)	405.62 g
Weight per piece (excluding packing)	405.62 g
Customs tariff number	85389099
Country of origin	DE

HC-B32-TFQ-80-O1STM(32-20-12)G - Housing



1402203

<https://www.phoenixcontact.com/us/products/1402203>

Technical data

Product properties

Product type	Housing with locking latch
Type	B32
Type of the screw connection	1x M32 / 1x M20 / 1x M12
Cable outlet	straight

Material specifications

Housing material	Die-cast aluminum
Housing surface material	Powder-coated, gray

Mechanical properties

Mechanical data

Type of the screw connection	1x M32 / 1x M20 / 1x M12
------------------------------	--------------------------

Environmental and real-life conditions

Ambient conditions

Degree of protection	IP65
Ambient temperature (operation)	-40 °C ... 125 °C

HC-B32-TFQ-80-O1STM(32-20-12)G - Housing

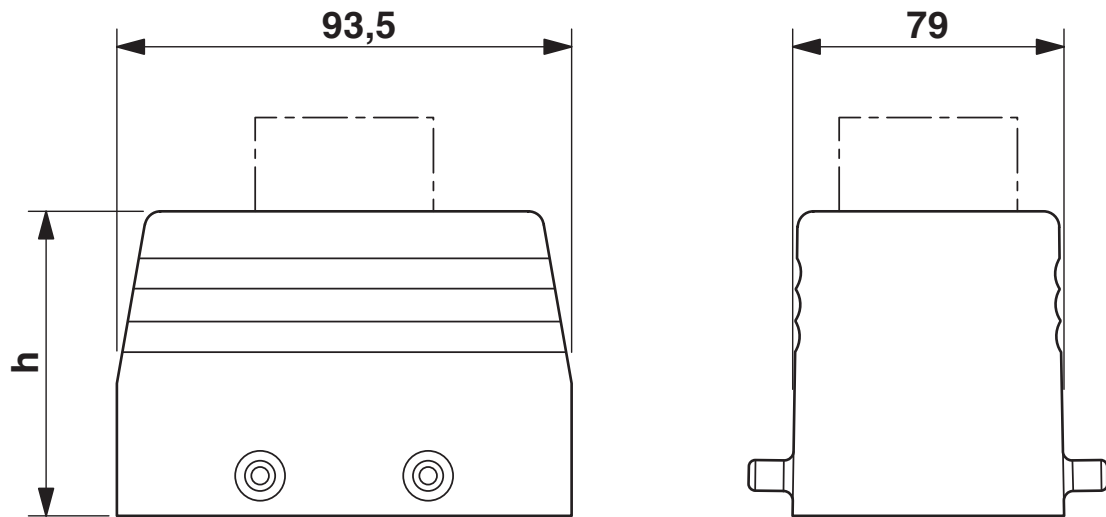


1402203

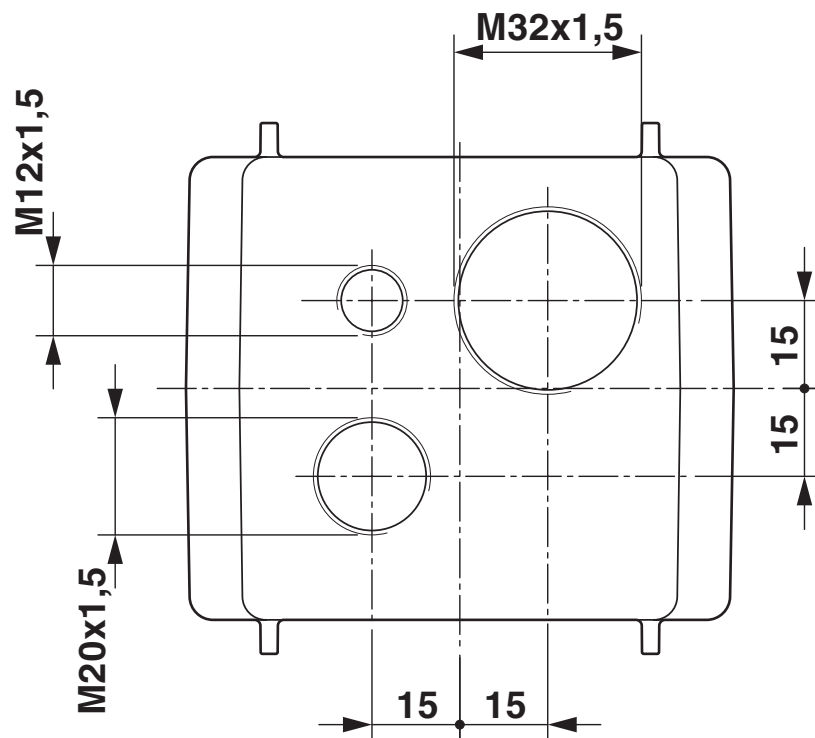
<https://www.phoenixcontact.com/us/products/1402203>

Drawings

Dimensional drawing



Dimensional drawing



Position of the screw connections

HC-B32-TFQ-80-O1STM(32-20-12)G - Housing



1402203

<https://www.phoenixcontact.com/us/products/1402203>

Classifications

ECLASS

ECLASS-13.0	27440202
ECLASS-15.0	27440202

UNSPSC

UNSPSC 21.0	31261500
-------------	----------

HC-B32-TFQ-80-O1STM(32-20-12)G - Housing



1402203

<https://www.phoenixcontact.com/us/products/1402203>

Environmental product compliance

EU RoHS

Fulfills EU RoHS substance requirements	Yes, No exemptions
---	--------------------

China RoHS

Environment friendly use period (EFUP)	EFUP-E
	No hazardous substances above the limits

EU REACH SVHC

REACH candidate substance (CAS No.)	No substance above 0.1 wt%
-------------------------------------	----------------------------

Phoenix Contact 2026 © - all rights reserved
<https://www.phoenixcontact.com>

Phoenix Contact USA
586 Fulling Mill Road
Middletown, PA 17057, United States
(+717) 944-1300
info@phoenixcon.com