

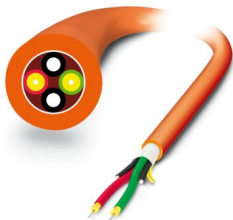
FOC-HCS-RUGGED-1014/... - FO patch cable



1402191

<https://www.phoenixcontact.com/us/products/1402191>

Please be informed that the data shown in this PDF document is generated from our online catalog. Please find the complete data in the user documentation. Our general terms of use for downloads are valid.



rugged PCF installation cable for inner areas with highly tear-proof aramid strain-relief elements. Individual elements made from highly flexible FRNC material. The cable is halogen-free, ozone and UV resistant and has a rugged polyurethane (PUR) outer sheath.

Your advantages

- High degree of reliability, thanks to the exceptional quality
- Reliable even in EMC-sensitive applications
- Fast data transmission for demanding applications
- Halogen-free, ozone, and UV resistant
- Robust polyurethane (PUR) outer sheath
- 2.9 mm individual wires made from highly flexible FRNC material
- Rugged installation cable for indoor use
- Highly tear-resistant aramid strain relief elements

Commercial data

Item number	1402191
Packing unit	1 pc
Minimum order quantity	1 pc
Note	Made to order (non-returnable)
Sales key	AB50
Product key	ABNIBB
Customs tariff number	85447000
Country of origin	DE

FOC-HCS-RUGGED-1014/... - FO patch cable



1402191

<https://www.phoenixcontact.com/us/products/1402191>

Technical data

Product properties

Product type	Data cable by the meter
Application	Indoor installation
Number of positions	2

Electrical properties

Transmission medium	PCF fiber
Transmission speed	100 Mbps
Transmission speed	100 Mbps

Dimensions

External dimensions

External diameter min.	7.5 mm
External diameter max.	8.5 mm

Material specifications

Outer sheath, material	PUR
------------------------	-----

Connector

Connection 1

Type	configurable
------	--------------

Connection 2

Type	configurable
------	--------------

Cable/line

Cable weight	54 kg/km
External cable diameter	8 mm
Outer sheath, material	PUR
Single wire, number of litz wires	2
Single wire, material	FRNC material
Individual wire diameter	2.9 mm ±0.1 mm
Numerical aperture	0.37
Tensile strength	1000 N (Short-term) 200 N (permanent)
Impact strength	2 Nm / 10 x
Bending radius, single element	30 mm (Short-term) 30 mm (Short-term)
Bending radius, entire cable	60 mm (Short-term) 60 mm (Short-term)
660 nm	10 dB/km

FOC-HCS-RUGGED-1014/... - FO patch cable



1402191

<https://www.phoenixcontact.com/us/products/1402191>

850 nm	8 dB/km
Halogen-free	According to IEC 60754-2
Resistance to oil	IRM 902 No.2, 100 °C, DIN VDE 0473-811-2-1
Behavior in fire	1.72 MJ/m (0.48 kWh/m)

FO cable

Number of fibers	2
Fiber	Polymer fiber/fiberglass
Fiber type	Multimode, 200/230 µm
Cable, attenuation	2.5 dB/km (at 850 nm), 0.7 dB/km (at 1300 nm)
Transmission medium	Multi-mode fiberglass

Environmental and real-life conditions

Ambient conditions

Degree of protection	IP67/IP20
Impact strength	2 Nm / 10 x
Ambient temperature (operation)	-40 °C ... 70 °C -20 °C ... 70 °C (with quick mounting connector)
Ambient temperature (storage/transport)	-40 °C ... 70 °C
Ambient temperature (installation)	-20 °C ... 60 °C
Resistance to UV radiation	500 hours, in accordance with DIN EN ISO 4892-2

Mounting

cable layer type	Indoors
------------------	---------

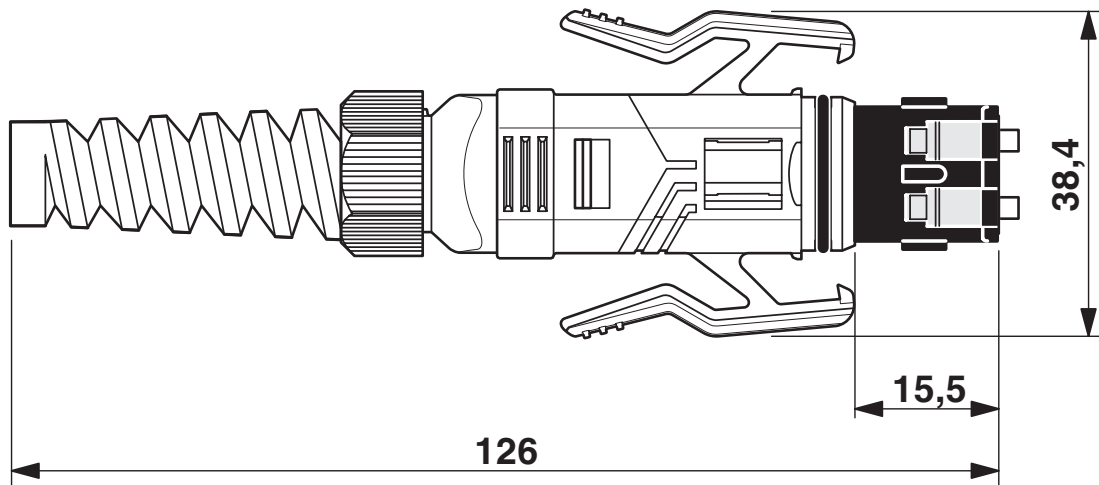
FOC-HCS-RUGGED-1014/... - FO patch cable

1402191

<https://www.phoenixcontact.com/us/products/1402191>

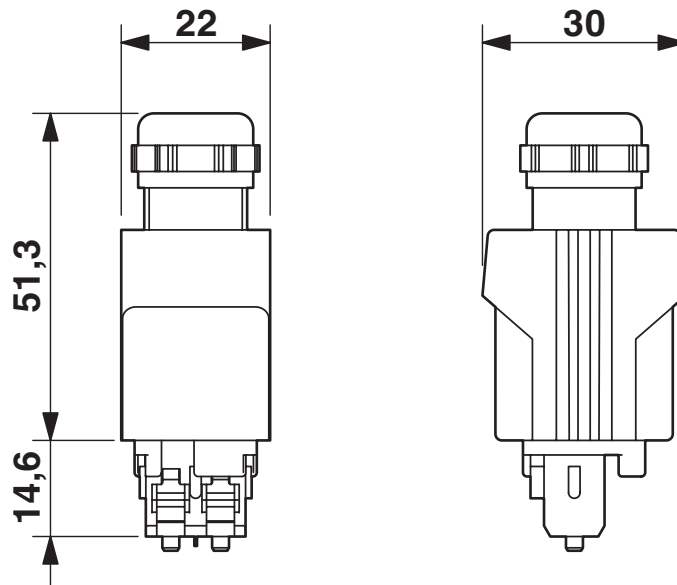
Drawings

Dimensional drawing



SC-RJ connector IP67

Dimensional drawing



Push-Pull SC-RJ connector IP65/67

FOC-HCS-RUGGED-1014/... - FO patch cable



1402191

<https://www.phoenixcontact.com/us/products/1402191>

Classifications

ECLASS

ECLASS-13.0	27061803
ECLASS-15.0	27061803

ETIM

ETIM 10.0	EC000034
-----------	----------

UNSPSC

UNSPSC 21.0	26121600
-------------	----------

FOC-HCS-RUGGED-1014/... - FO patch cable



1402191

<https://www.phoenixcontact.com/us/products/1402191>

Environmental product compliance

EU RoHS

Fulfills EU RoHS substance requirements	Yes, No exemptions
---	--------------------

China RoHS

Environment friendly use period (EFUP)	EFUP-E
	No hazardous substances above the limits

EU REACH SVHC

REACH candidate substance (CAS No.)	No substance above 0.1 wt%
-------------------------------------	----------------------------

Phoenix Contact 2026 © - all rights reserved
<https://www.phoenixcontact.com>

Phoenix Contact USA
586 Fulling Mill Road
Middletown, PA 17057, United States
(+717) 944-1300
info@phoenixcon.com