

# HC-B16-TMS-100/M32-20G/M12SEEE - Housing



1402113

<https://www.phoenixcontact.com/us/products/1402113>

Please be informed that the data shown in this PDF document is generated from our online catalog. Please find the complete data in the user documentation. Our general terms of use for downloads are valid.



HEAVYCON ADVANCE sleeve housing B16, with high-grade steel screw locking (hex. socket-head), salt water resistant alu., height 100 mm, with thread, 1xM32 & 1xM20 straight cable outlet, 1xM12 lateral cable outlet, w/o surface; conductive seal (EMC prop.)

## Commercial data

Item number	1402113
Packing unit	10 pc
Minimum order quantity	10 pc
Note	Made to order (non-returnable)
Sales key	BF58
Product key	AF7AAA
GTIN	4046356584296
Weight per piece (including packing)	375 g
Weight per piece (excluding packing)	22.22 g
Customs tariff number	85389099
Country of origin	DE

# HC-B16-TMS-100/M32-20G/M12SEEE - Housing



1402113

<https://www.phoenixcontact.com/us/products/1402113>

## Technical data

### Product properties

Product type	Housing with screw locking
Type	B16
No. of cable outlets	3
Type of the screw connection	1x M32 / 1x M20 / 1x M12
Fixing screws	M6 (screw head: 5 mm Allen screw)
Cable outlet	straight

### Connection data

Tightening torque	3 Nm (Locking screw)
-------------------	----------------------

### Dimensions

Dimensional drawing	
Width	57 mm
Height	100 mm
Length	126 mm

### Installation dimensions

Width of the assembly cutout	35 mm
Length of the assembly cutout	86 mm

### Material specifications

Seal material	NBR, conductive
Housing material	Die-cast aluminum, corrosion resistant
Housing surface material	uncoated
Locking latch material	Stainless steel

### Environmental and real-life conditions

#### Ambient conditions

Degree of protection	IP66 IP68 (0.2 bar/24 h) IP69
Enclosure rating (NEMA)	4 (NEMA 250) 4X (NEMA 250) 6P (NEMA 250) 12 (NEMA 250)
Ambient temperature (operation)	-40 °C ... 125 °C

1402113

<https://www.phoenixcontact.com/us/products/1402113>

## Mechanical properties

### Mechanical data

Type of the screw connection	1x M32 / 1x M20 / 1x M12
------------------------------	--------------------------

## Mounting

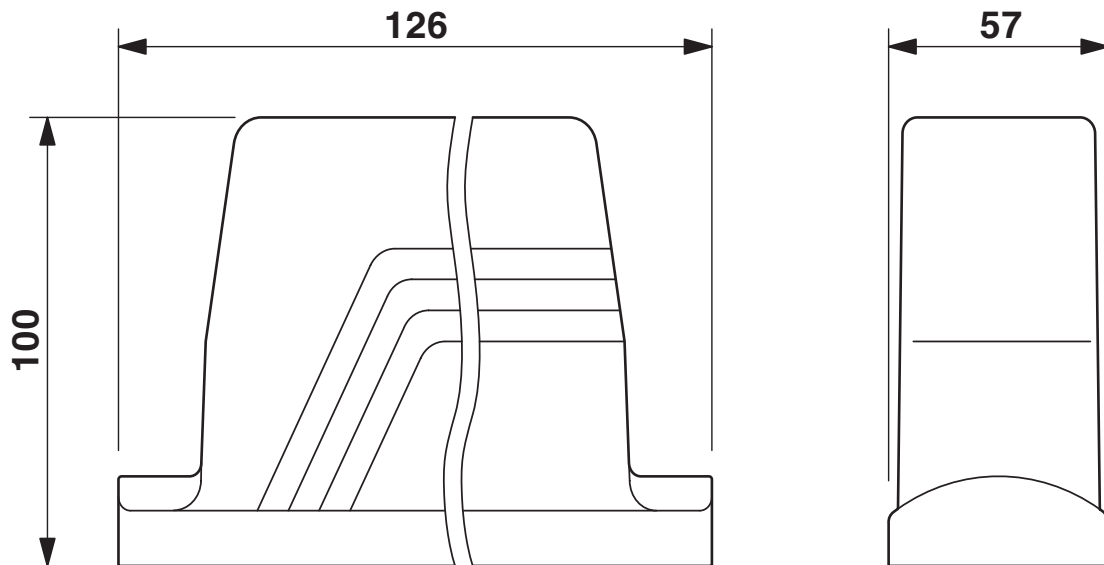
Assembly note	In order to guarantee that the protective conductor contact functions even when plugged in at an angle, the two panel-mount flanges must have sufficient electrical contact with the metal mounting panel.
	To ensure optimum shielding, any insulating power coating must be removed from the profile gasket area on the control cabinet panel. Tightening torque of locking screw: 3 Nm.
Fixing screws	M6 (screw head: 5 mm Allen screw)

1402113

<https://www.phoenixcontact.com/us/products/1402113>

## Drawings

Dimensional drawing



Dimensional drawing

Dimensional drawing



### Mounting cutout

- 1) when a standard M5 screw is used
- 2) when self-tapping screws are used (Torx® 20, M4)

# HC-B16-TMS-100/M32-20G/M12SEEE - Housing



1402113

<https://www.phoenixcontact.com/us/products/1402113>

## Classifications

### ECLASS

ECLASS-13.0	27440202
ECLASS-15.0	27440202

### UNSPSC

UNSPSC 21.0	31261501
-------------	----------

# HC-B16-TMS-100/M32-20G/M12SEEE - Housing



1402113

<https://www.phoenixcontact.com/us/products/1402113>

## Environmental product compliance

### EU RoHS

Fulfills EU RoHS substance requirements	Yes, No exemptions
---	--------------------

### China RoHS

Environment friendly use period (EFUP)	EFUP-E
	No hazardous substances above the limits

### EU REACH SVHC

REACH candidate substance (CAS No.)	No substance above 0.1 wt%
-------------------------------------	----------------------------

Phoenix Contact 2026 © - all rights reserved  
<https://www.phoenixcontact.com>

Phoenix Contact USA  
586 Fulling Mill Road  
Middletown, PA 17057, United States  
(+717) 944-1300  
[info@phoenixcon.com](mailto:info@phoenixcon.com)