

# SAC-4P-10,0-500/M12FR - Sensor/actuator cable



1401788

<https://www.phoenixcontact.com/us/products/1401788>

Please be informed that the data shown in this PDF document is generated from our online catalog. Please find the complete data in the user documentation. Our general terms of use for downloads are valid.



Sensor/actuator cable, 4-position, PVC, gray RAL 7001, free cable end, on Socket angled M12, coding: A, cable length: 10 m

## Commercial data

Item number	1401788
Packing unit	1 pc
Minimum order quantity	50 pc
Product key	AF1CCA
GTIN	4046356572996
Weight per piece (including packing)	407.5 g
Weight per piece (excluding packing)	407.5 g
Country of origin	DE

# SAC-4P-10,0-500/M12FR - Sensor/actuator cable



1401788

<https://www.phoenixcontact.com/us/products/1401788>

## Technical data

### Product properties

Product type	Sensor/actuator cable
Number of positions	4
No. of cable outlets	1
Shielded	no
Coding	A

### Material specifications

Contact material	CuSn
Contact surface material	Ni/Au
Contact carrier material	TPU

### Electrical properties

Nominal voltage $U_N$	250 V AC
	250 V DC
Nominal current $I_N$	4 A

### Mechanical properties

#### Mechanical data

Insertion/withdrawal cycles	$\geq 100$
-----------------------------	------------

### Signaling

Status display	no
Status display present	no

### Connector

#### Connection 1

Type	free cable end
------	----------------

#### Connection 2

Type	Socket angled M12
Number of positions	4
Coding type	A

### Cable/line

Cable length	10 m
--------------	------

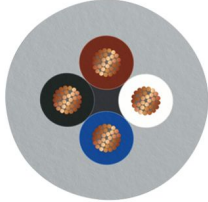
PVC gray [500]

# SAC-4P-10,0-500/M12FR - Sensor/actuator cable



1401788

<https://www.phoenixcontact.com/us/products/1401788>

Dimensional drawing	
Cable weight	40 kg/km
UL AWM Style	2464 / 1729 (80°C/300 V)
Number of positions	4
Shielded	no
Cable type	PVC gray [500]
Conductor structure signal line	19x 0.15 mm
AWG signal line	22
Conductor cross-section	4x 0.34 mm <sup>2</sup> (Signal line)
Wire diameter incl. insulation	1.26 mm ±0.05 mm
External cable diameter	4.70 mm ±0.15 mm
Outer sheath, material	PVC
External sheath, color	gray RAL 7001
Conductor material	Bare Cu litz wires
Material wire insulation	PVC
Single wire, color	brown, white, blue, black
Thickness, insulation	≥ 0.23 mm (Core insulation)
Thickness, outer sheath	≥ 0.76 mm
Overall twist	4 wires, twisted
Max. conductor resistance	max. 57 Ω/km (at 20 °C)
Insulation resistance	≥ 200 MΩ*km (at 20 °C)
Nominal voltage, cable	≤ 300 V
Test voltage	≥ 3000 V
Minimum bending radius, fixed installation	5 x D
Minimum bending radius, flexible installation	10 x D
Smallest bending radius, fixed installation	24 mm
Smallest bending radius, movable installation	47 mm
Ambient temperature (operation)	-40 °C ... 80 °C (cable, fixed installation) -25 °C ... 80 °C (Cable, flexible installation)

## Environmental and real-life conditions

### Ambient conditions

Degree of protection	IP67
Ambient temperature (operation)	-25 °C ... 90 °C (Plug / socket) -25 °C ... 80 °C (cable, fixed installation) -5 °C ... 80 °C (Cable, flexible installation)

# SAC-4P-10,0-500/M12FR - Sensor/actuator cable

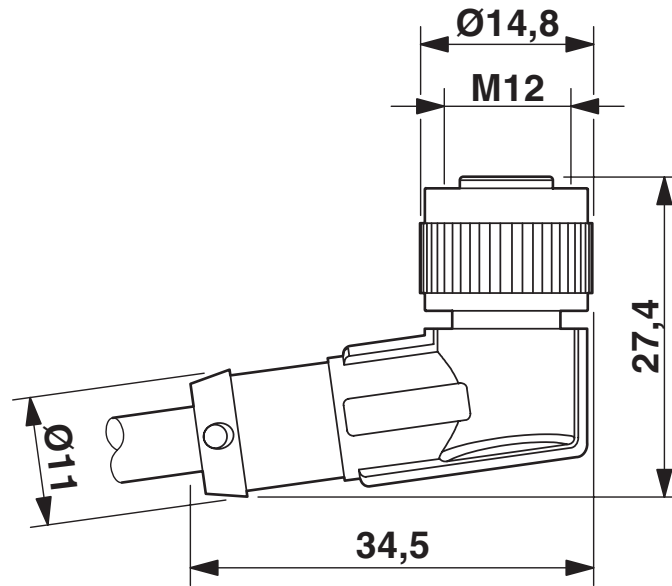
1401788

<https://www.phoenixcontact.com/us/products/1401788>



## Drawings

Dimensional drawing



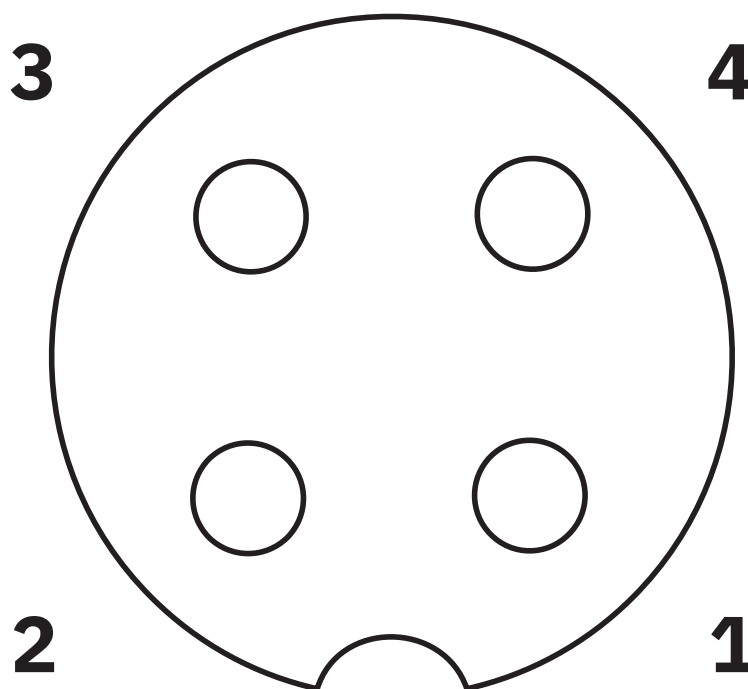
# SAC-4P-10,0-500/M12FR - Sensor/actuator cable

1401788

<https://www.phoenixcontact.com/us/products/1401788>



Schematic diagram



Pin assignment M12 socket, 4-pos., A-coded, view female side

# SAC-4P-10,0-500/M12FR - Sensor/actuator cable



1401788

<https://www.phoenixcontact.com/us/products/1401788>

## Classifications

### ECLASS

ECLASS-13.0	27060311
ECLASS-15.0	27060311

1401788

<https://www.phoenixcontact.com/us/products/1401788>

## Environmental product compliance

### China RoHS

Environment friendly use period (EFUP)	EFUP-50
	An article-related China RoHS declaration table can be found in the download area for the respective article under "Manufacturer declaration". For all articles with EFUP-E, no China RoHS declaration table issued and required.

### EU REACH SVHC

REACH candidate substance (CAS No.)	No substance above 0.1 wt%
-------------------------------------	----------------------------

Phoenix Contact 2026 © - all rights reserved  
<https://www.phoenixcontact.com>

Phoenix Contact USA  
586 Fulling Mill Road  
Middletown, PA 17057, United States  
(+717) 944-1300  
[info@phoenixcon.com](mailto:info@phoenixcon.com)