

NS 15 AL PERF 2000MM VPE 10 - DIN rail perforated



1401763

<https://www.phoenixcontact.com/us/products/1401763>

Please be informed that the data shown in this PDF document is generated from our online catalog. Please find the complete data in the user documentation. Our general terms of use for downloads are valid.



DIN rail perforated, Pack of 10 (20 m), acc. to EN 60715, material: Aluminum, uncoated, Standard profile, color: silver-colored

Your advantages

- All DIN rails are also available cut to length
- Particular attention has been paid to high dimensional accuracy and surface tempering
- The design of the DIN rails corresponds to European standard EN 60715

Commercial data

Item number	1401763
Packing unit	10 m
Minimum order quantity	20 m
Sales key	BE72
Product key	BE7225
GTIN	4017918020521
Weight per piece (including packing)	115 g
Weight per piece (excluding packing)	115 g
Customs tariff number	76042990
Country of origin	DE

NS 15 AL PERF 2000MM VPE 10 - DIN rail perforated



1401763

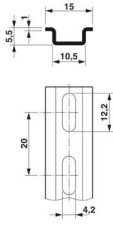
<https://www.phoenixcontact.com/us/products/1401763>

Technical data

Product properties

Product type	DIN rail
--------------	----------

Dimensions

Dimensional drawing	
Width	15 mm
Hole width	12.2 mm
Hole height	4.2 mm
Depth	5.5 mm
Length	2000 mm
Drill hole spacing	20 mm

Material specifications

Color	silver-colored
Material	Aluminum
Coating	uncoated

Standards and regulations

Connection in acc. with standard	IEC / EN
Tests	acc. to EN 60715

Electrical tests

Short-time withstand current	
Equivalent E-Cu cross-section	16 mm ²
Short-time current resistance 1s	1.92 kA
Max. permissible thermal nominal current for PEN function	76 A

NS 15 AL PERF 2000MM VPE 10 - DIN rail perforated

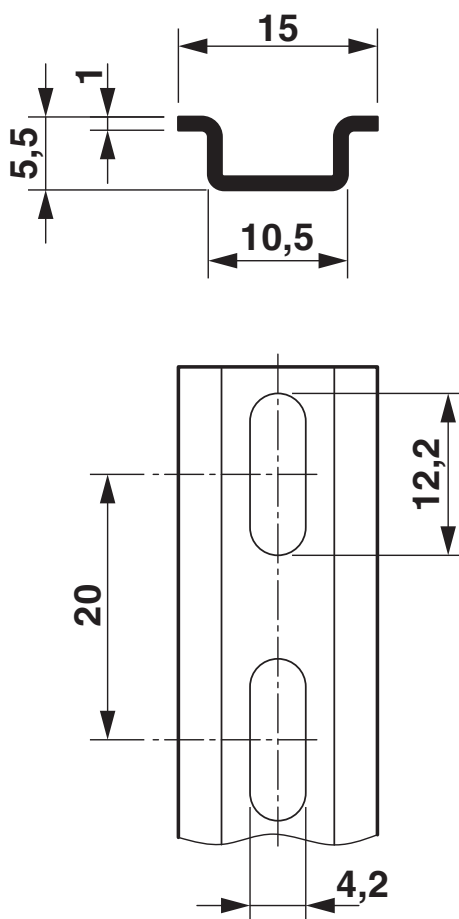


1401763

<https://www.phoenixcontact.com/us/products/1401763>

Drawings

Dimensional drawing



NS 15 AL PERF 2000MM VPE 10 - DIN rail perforated



1401763

<https://www.phoenixcontact.com/us/products/1401763>

Classifications

ECLASS

ECLASS-13.0	27400602
ECLASS-15.0	27400602

ETIM

ETIM 10.0	EC001285
-----------	----------

UNSPSC

UNSPSC 21.0	39121700
-------------	----------

NS 15 AL PERF 2000MM VPE 10 - DIN rail perforated



1401763

<https://www.phoenixcontact.com/us/products/1401763>

Environmental product compliance

EU RoHS

Fulfills EU RoHS substance requirements	Yes, No exemptions
---	--------------------

China RoHS

Environment friendly use period (EFUP)	EFUP-E
	No hazardous substances above the limits

EU REACH SVHC

REACH candidate substance (CAS No.)	No substance above 0.1 wt%
-------------------------------------	----------------------------

Phoenix Contact 2026 © - all rights reserved
<https://www.phoenixcontact.com>

Phoenix Contact USA
586 Fulling Mill Road
Middletown, PA 17057, United States
(+717) 944-1300
info@phoenixcon.com