

SAC-3P- 1,3-PVC/A-1L-Z - Sensor/actuator cable



1401581

<https://www.phoenixcontact.com/us/products/1401581>

Please be informed that the data shown in this PDF document is generated from our online catalog. Please find the complete data in the user documentation. Our general terms of use for downloads are valid.



Sensor/actuator cable, 3-position, PVC, black RAL 9005, free cable end, on Valve connector A, with 1 LED, Wiring: Z diode, cable length: 1.3 m

Commercial data

Item number	1401581
Packing unit	1 pc
Minimum order quantity	50 pc
Note	Made to order (non-returnable)
Product key	AF1DAA
GTIN	4046356565417
Weight per piece (including packing)	75.1 g
Weight per piece (excluding packing)	73 g
Country of origin	PL

SAC-3P- 1,3-PVC/A-1L-Z - Sensor/actuator cable



1401581

<https://www.phoenixcontact.com/us/products/1401581>

Technical data

Product properties

Product type	Sensor/actuator cable with valve connector
Number of positions	3
No. of cable outlets	1

Insulation characteristics

Overvoltage category	III
Degree of pollution	3

Material specifications

Flammability rating according to UL 94	V0
Seal material	TPU
Material housing valve plug	TPU
Contact material	CuSn
Valve plug contact insert material	PA 6.6
Contact surface material	Sn

Electrical properties

Insulation resistance	$\geq 100 \text{ M}\Omega$
Nominal voltage U_N	24 V AC
	24 V DC
Nominal current I_N	4 A

Signaling

Status display	1 LED
Status display present	yes

Connector

Connection 1

Type	free cable end
------	----------------

Connection 2

Type	Valve connector A
Number of positions	3
Material	CuSn (Contact)
	Sn (Contact surface)
	PA 6.6 (Contact carrier)
	TPU (Housing)
Protective circuit	Z diode

Cable/line

Cable length	1.3 m
--------------	-------

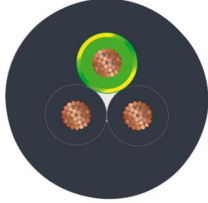
SAC-3P- 1,3-PVC/A-1L-Z - Sensor/actuator cable



1401581

<https://www.phoenixcontact.com/us/products/1401581>

PVC black [PVC]

Dimensional drawing	
Cable weight	38.6 kg/km
UL AWM Style	2464
Number of positions	3
Shielded	no
Cable type	PVC black [PVC]
Conductor structure signal line	16x 0.20 mm
AWG signal line	20
Conductor cross-section	3x 0.5 mm ²
Wire diameter incl. insulation	1.5 mm ±0.05 mm
External cable diameter	4.80 mm ±0.2 mm
Outer sheath, material	PVC
External sheath, color	black RAL 9005
Conductor material	Bare Cu litz wires
Material wire insulation	PVC
Single wire, color	black 1, black 2, green/yellow
Overall twist	3 wires, twisted
Max. conductor resistance	39 Ω/km (at 20 °C)
Insulation resistance	≥ 20 MΩ*km
Nominal voltage, cable	300 V
Test voltage	1200 V
Minimum bending radius, fixed installation	5 x D
Smallest bending radius, fixed installation	24 mm
Flame resistance	DIN VDE 0482 DIN EN 50265-2-1
Resistance to oil	in accordance with DIN EN 60811-2-1
Ambient temperature (operation)	-40 °C ... 80 °C (cable, fixed installation) -5 °C ... 80 °C (Cable, flexible installation)

Environmental and real-life conditions

Ambient conditions

Degree of protection	IP65 IP67
Ambient temperature (operation) (Valve connector)	-20 °C ... 85 °C (Valve connector)

SAC-3P- 1,3-PVC/A-1L-Z - Sensor/actuator cable

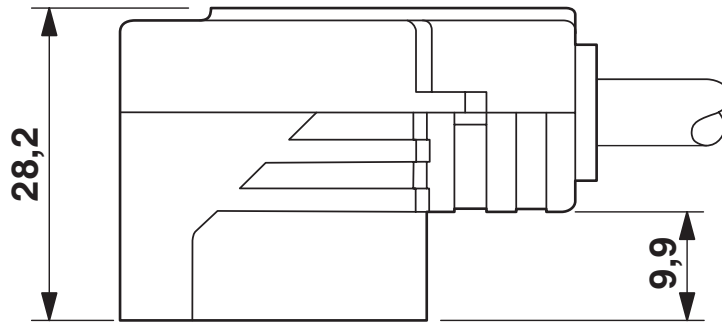


1401581

<https://www.phoenixcontact.com/us/products/1401581>

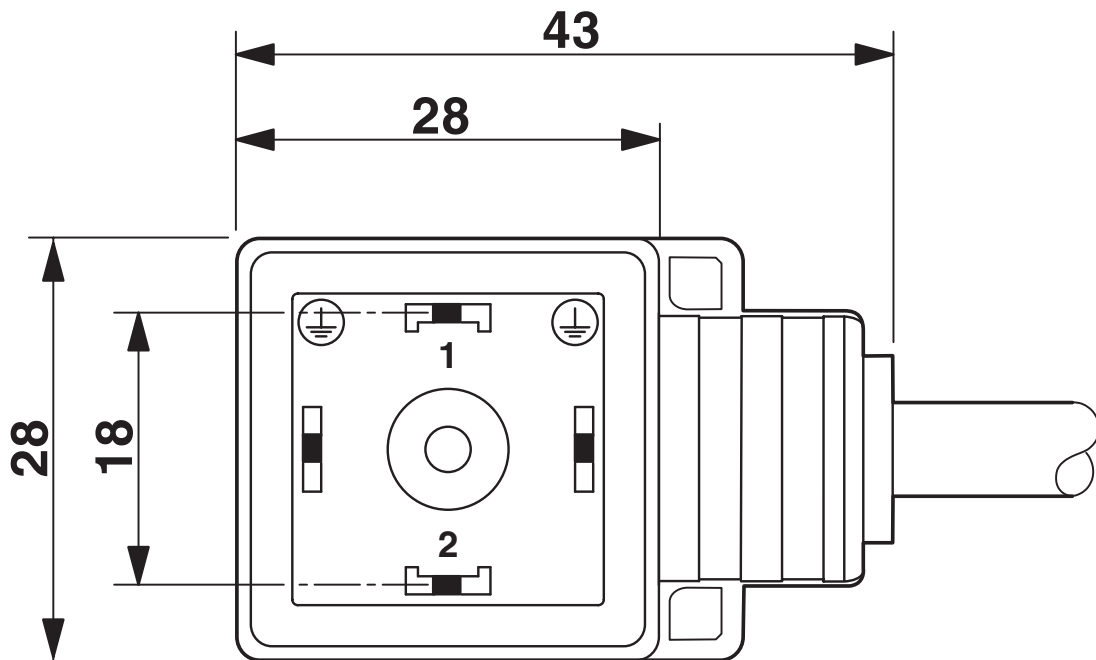
Drawings

Dimensional drawing



Valve connector, type A, side view

Dimensional drawing



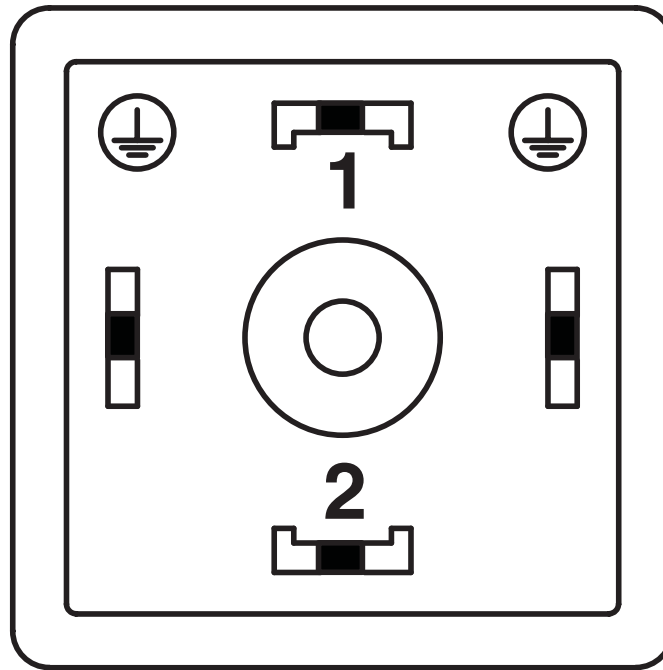
Valve connector, type A

SAC-3P- 1,3-PVC/A-1L-Z - Sensor/actuator cable

1401581

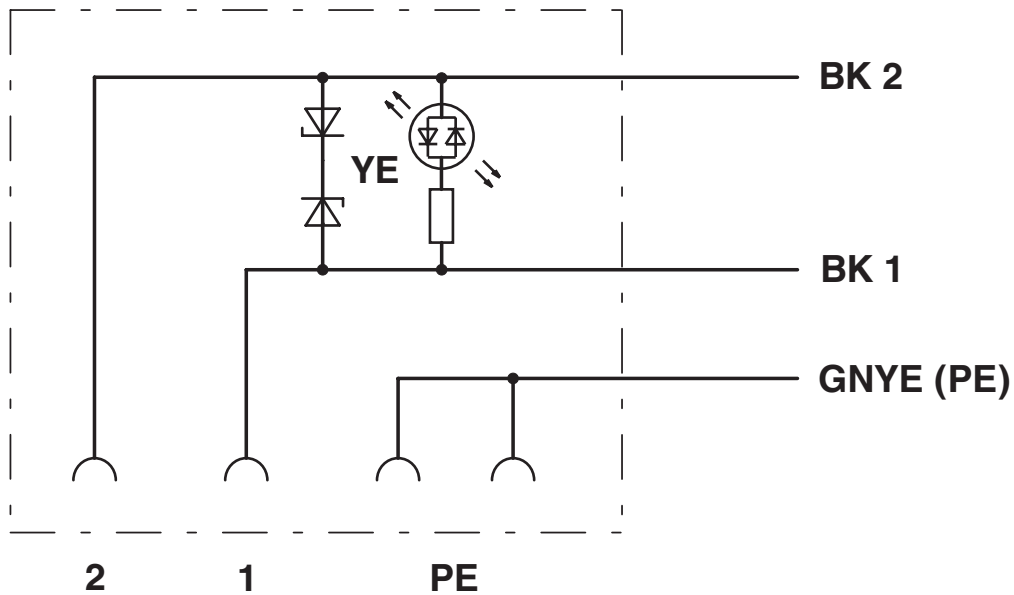
<https://www.phoenixcontact.com/us/products/1401581>

Schematic diagram



Valve connector pin assignment, type A

Circuit diagram



Contact assignment of the valve plug

SAC-3P- 1,3-PVC/A-1L-Z - Sensor/actuator cable



1401581

<https://www.phoenixcontact.com/us/products/1401581>

Classifications

ECLASS

ECLASS-13.0	27060312
ECLASS-15.0	27060312

UNSPSC

UNSPSC 21.0	31251500
-------------	----------

SAC-3P- 1,3-PVC/A-1L-Z - Sensor/actuator cable



1401581

<https://www.phoenixcontact.com/us/products/1401581>

Environmental product compliance

EU RoHS

Fulfills EU RoHS substance requirements	Yes
Exemption	7(c)-I

China RoHS

Environment friendly use period (EFUP)	EFUP-50
	An article-related China RoHS declaration table can be found in the download area for the respective article under "Manufacturer declaration". For all articles with EFUP-E, no China RoHS declaration table issued and required.

EU REACH SVHC

REACH candidate substance (CAS No.)	No substance above 0.1 wt%
-------------------------------------	----------------------------

Phoenix Contact 2026 © - all rights reserved
<https://www.phoenixcontact.com>

Phoenix Contact USA
586 Fulling Mill Road
Middletown, PA 17057, United States
(+717) 944-1300
info@phoenixcon.com