

SAC-4P-10,0-PVC/M 8FR BK VA - Sensor/actuator cable



1401473

<https://www.phoenixcontact.com/us/products/1401473>

Please be informed that the data shown in this PDF document is generated from our online catalog. Please find the complete data in the user documentation. Our general terms of use for downloads are valid.



Sensor/actuator cable, 4-position, PVC, black RAL 9005, free cable end, on Socket angled M8, coding: A, cable length: 10 m

Commercial data

Item number	1401473
Packing unit	1 pc
Minimum order quantity	50 pc
Note	Made to order (non-returnable)
Product key	AF1BCA
GTIN	4046356557344
Weight per piece (including packing)	290.8 g
Weight per piece (excluding packing)	290.8 g
Country of origin	PL

SAC-4P-10,0-PVC/M 8FR BK VA - Sensor/actuator cable



1401473

<https://www.phoenixcontact.com/us/products/1401473>

Technical data

Product properties

Product type	Sensor/actuator cable
Number of positions	4
No. of cable outlets	1
Shielded	no
Coding	A

Insulation characteristics

Overvoltage category	II
Degree of pollution	3

Material specifications

Flammability rating according to UL 94	HB
Seal material	NBR
Material of grip body	TPU, hardly inflammable, self-extinguishing
Contact material	CuSn
Contact surface material	Ni/Au
Contact carrier material	TPU GF
Material for screw connection	Stainless steel

Electrical properties

Insulation resistance	$\geq 100 \text{ M}\Omega$
Nominal voltage U_N	48 V AC
	60 V DC
Nominal current I_N	4 A

Signaling

Status display	no
Status display present	no

Connector

Connection 1

Type	free cable end
------	----------------

Connection 2

Type	Socket angled M8
Number of positions	4
Coding type	A

Cable/line

Cable length	10 m
--------------	------

PVC black [PVC]

SAC-4P-10,0-PVC/M 8FR BK VA - Sensor/actuator cable



1401473

<https://www.phoenixcontact.com/us/products/1401473>

Dimensional drawing	
Cable weight	33 kg/km
UL AWM Style	2464 / 1729 (80°C/300 V)
Number of positions	4
Shielded	no
Cable type	PVC black [PVC]
Conductor structure signal line	14x 0.15 mm
AWG signal line	24
Conductor cross-section	4x 0.25 mm ² (Signal line)
Wire diameter incl. insulation	1.17 mm ±0.05 mm
External cable diameter	4.40 mm ±0.15 mm
Outer sheath, material	PVC
External sheath, color	black RAL 9005
Conductor material	Bare Cu litz wires
Material wire insulation	PVC
Single wire, color	brown, white, blue, black
Thickness, insulation	≥ 0.23 mm (Core insulation) ≥ 0.76 mm (Outer cable sheath)
Overall twist	4 wires, twisted
Max. conductor resistance	max. 79 Ω/km (at 20 °C)
Insulation resistance	≥ 100 MΩ*km (at 20 °C)
Nominal voltage, cable	≤ 300 V
Test voltage	≥ 3000 V
Minimum bending radius, fixed installation	5 x D
Smallest bending radius, fixed installation	22 mm
Flame resistance	As per UL-Style 2464
Resistance to oil	EN 60811-2-1
Ambient temperature (operation)	-25 °C ... 80 °C (cable, fixed installation) -10 °C ... 80 °C (Cable, flexible installation)

Environmental and real-life conditions

Ambient conditions

Degree of protection	IP65
	IP67
	IP68
	IP69K

SAC-4P-10,0-PVC/M 8FR BK VA - Sensor/actuator cable



1401473

<https://www.phoenixcontact.com/us/products/1401473>

Ambient temperature (operation)	-25 °C ... 90 °C (Plug / socket)
	-25 °C ... 80 °C (cable, fixed installation)
	-5 °C ... 80 °C (Cable, flexible installation)

SAC-4P-10,0-PVC/M 8FR BK VA - Sensor/actuator cable

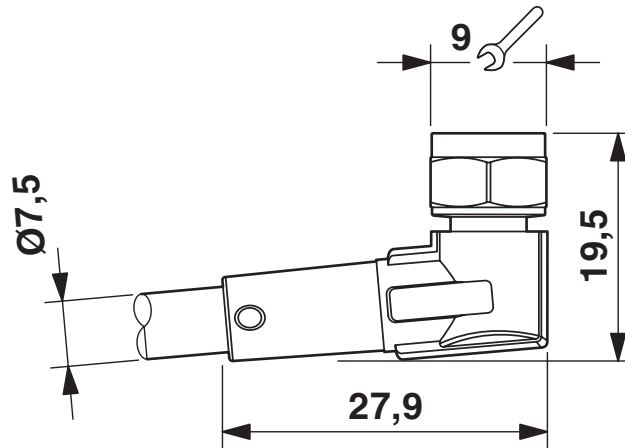


1401473

<https://www.phoenixcontact.com/us/products/1401473>

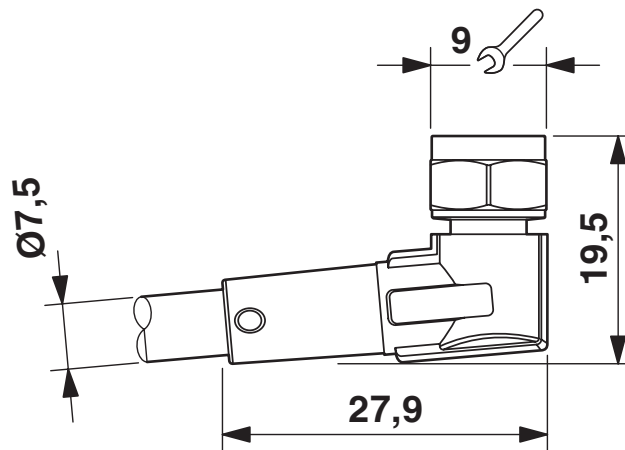
Drawings

Dimensional drawing



Socket M8 x 1, angled

Dimensional drawing

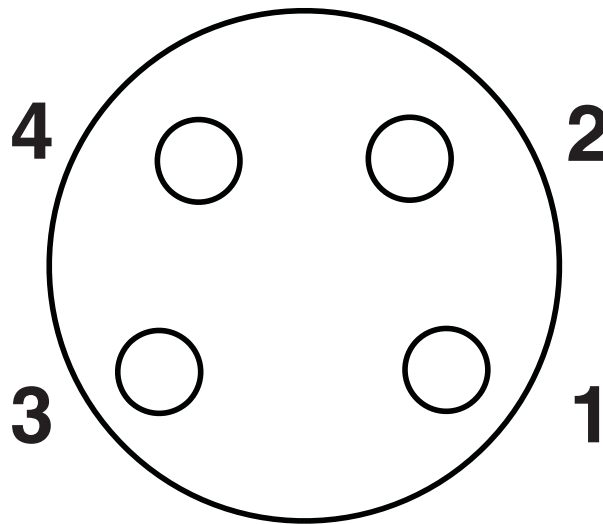


SAC-4P-10,0-PVC/M 8FR BK VA - Sensor/actuator cable

1401473

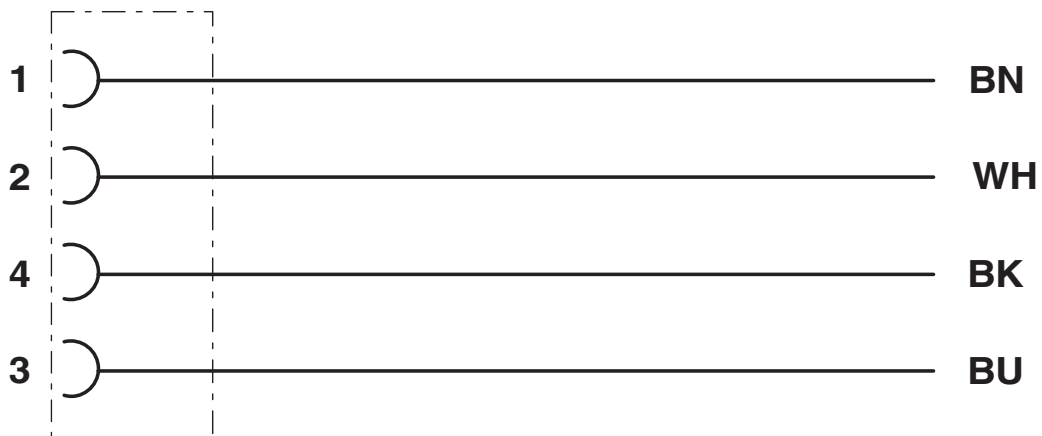
<https://www.phoenixcontact.com/us/products/1401473>

Schematic diagram



Pin assignment M8 socket, 4-pos., view female side

Circuit diagram



Contact assignment of M8/M12 plugs/sockets

SAC-4P-10,0-PVC/M 8FR BK VA - Sensor/actuator cable



1401473

<https://www.phoenixcontact.com/us/products/1401473>

Classifications

ECLASS

ECLASS-13.0	27060311
ECLASS-15.0	27060311

ETIM

ETIM 10.0	EC001855
-----------	----------

UNSPSC

UNSPSC 21.0	26121600
-------------	----------

SAC-4P-10,0-PVC/M 8FR BK VA - Sensor/actuator cable



1401473

<https://www.phoenixcontact.com/us/products/1401473>

Environmental product compliance

EU RoHS

Fulfills EU RoHS substance requirements	Yes, No exemptions
---	--------------------

China RoHS

Environment friendly use period (EFUP)	EFUP-E
	No hazardous substances above the limits

EU REACH SVHC

REACH candidate substance (CAS No.)	No substance above 0.1 wt%
-------------------------------------	----------------------------

Phoenix Contact 2026 © - all rights reserved
<https://www.phoenixcontact.com>

Phoenix Contact USA
586 Fulling Mill Road
Middletown, PA 17057, United States
(+717) 944-1300
info@phoenixcon.com