

SACB-8/16-20,0PUR SCO - Distributor box



1401305

<https://www.phoenixcontact.com/us/products/1401305>

Please be informed that the data shown in this PDF document is generated from our online catalog. Please find the complete data in the user documentation. Our general terms of use for downloads are valid.



Distributor box Metal, number of slots: 8, number of positions: 5, coding: A, slot assignment: Double, status display: no, Universal; master cable connection: Fixed connection 180°, PUR/PVC, cable length: 20 m, shielding: no

Commercial data

Item number	1401305
Packing unit	1 pc
Minimum order quantity	25 pc
Product key	AF3CCA
GTIN	4046356548731
Weight per piece (including packing)	4,085 g
Weight per piece (excluding packing)	4,085 g
Country of origin	PL

Technical data

Notes

Assembly note	NOTE: Observe the permissible bending radii when routing cables, since the degree of protection may be at risk if the bending forces are too high. Reduce mechanical loads upstream of the connector, e.g., by using cable ties.
Note on application	Unused slots are to be sealed off prior to commissioning. Suitable sealing elements are to be found under "Accessories".

Product properties

Product type	Distributor box
Number of positions	5
Number of slots	8
Coding	A

Electrical properties

Max. operating voltage U_{max}	135 V
Nominal voltage U_N	120 V
Rated current, total	12 A
Max. current carrying capacity per path	2 A
Current carrying capacity per slot	4 A

Connection data

Connection assignment

Slot/position = Wire color or connection	1 / 4 (A) = WH
	1 / 2 (B) = GYPK
	2 / 4 (A) = GN
	2 / 2 (B) = RDBU
	3 / 4 (A) = YE
	3 / 2 (B) = WHGN
	4 / 4 (A) = GY
	4 / 2 (B) = BNGN
	5 / 4 (A) = PK
	5 / 2 (B) = WHYE
	6 / 4 (A) = RD
	6 / 2 (B) = YEBN
	7 / 4 (A) = BK
	7 / 2 (B) = WHGY
	8 / 4 (A) = VT
	8 / 2 (B) = GYBN
1-8 / 1 (+ 120 V) = BN	
1-8 / 3 (0 V) = BU	
1-8 / 5 (PE) = GNYE	

SACB-8/16-20,0PUR SCO - Distributor box



1401305

<https://www.phoenixcontact.com/us/products/1401305>

Signaling

Status display present	no
------------------------	----

Dimensions

Dimensional drawing	
Width	58 mm
Height	26 mm
Length	153 mm

Material specifications

Material Threaded sleeve	Die-cast zinc
Material Housing	PBT
Material Molding compound	PUR
Flammability rating according to UL 94	V0
Seal material O-ring	NBR
Contact material	Cu alloy
Contact surface material	gold-plated
Contact carrier material	PA

Cable/line

Cable length	20 m
--------------	------

PUR/PVC black [PUR]

Dimensional drawing	
Cable weight	183.7 kg/km
UL AWM Style	20549 (80°C/300 V)
Number of positions	19
Shielded	no
Cable type	PUR/PVC black [PUR]
Conductor structure signal line	28x 0.15 mm
AWG signal line	20

SACB-8/16-20,0PUR SCO - Distributor box



1401305

<https://www.phoenixcontact.com/us/products/1401305>

Conductor structure, voltage supply	56x 0.15 mm
AWG power supply	17
Conductor cross-section	16x 0.5 mm ² (Signal line)
	3x 1 mm ² (power line)
Wire diameter incl. insulation	1.5 mm ±0.1 mm (Signal line)
	2.1 mm ±0.1 mm (power line)
External cable diameter	10.50 mm ±0.2 mm
Outer sheath, material	PUR
External sheath, color	black RAL 9005
Conductor material	Bare Cu litz wires
Material wire insulation	PVC
Single wire, color	brown, blue, green/yellow, white, green, yellow, gray, pink, red, black, violet, gray/pink, red/blue, white/green, brown/green, white/yellow, yellow/brown, white/gray, gray/brown
Inner sheath thickness	≥ 0.15 mm
Thickness, outer sheath	≥ 0.76 mm
Overall twist	Wires twisted in layers
Nominal voltage, cable	300 V
Test voltage	2000 V
Minimum bending radius, fixed installation	7.5 x D
Minimum bending radius, flexible installation	10 x D
Smallest bending radius, fixed installation	79 mm
Smallest bending radius, movable installation	105 mm
Dynamic load capacity (bending)	Max. bending cycles: 1500000, Bending radius: 10 x D, Traversing path: 2 m, Traversing rate: 2 m/s
Flame resistance	according to DIN EN 50265
Resistance to oil	according to VDE 0472 Part 803
Other resistance	Highly resistant to acids, alkaline solutions and solvents
Special properties	Silicone-free
Ambient temperature (operation)	-40 °C ... 90 °C (cable, fixed installation)
	-5 °C ... 80 °C (Cable, flexible installation)

Environmental and real-life conditions

Ambient conditions

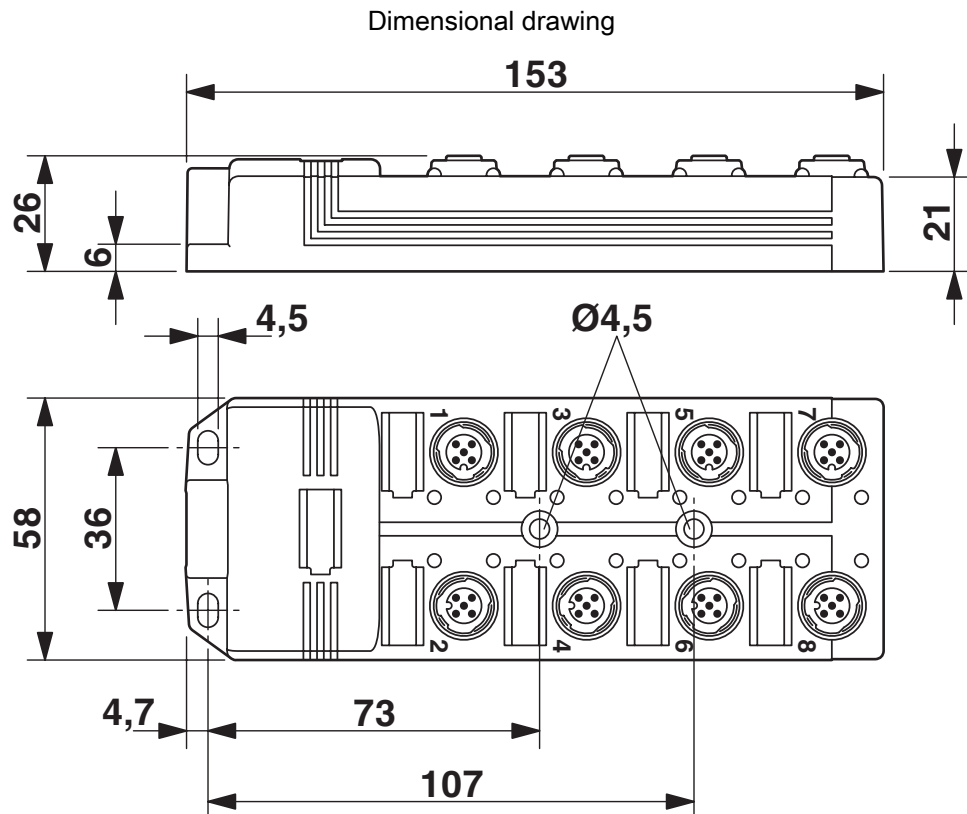
Degree of protection	IP65
	IP67
	IP69K
Ambient temperature (operation)	-30 °C ... 90 °C

SACB-8/16-20,0PUR SCO - Distributor box

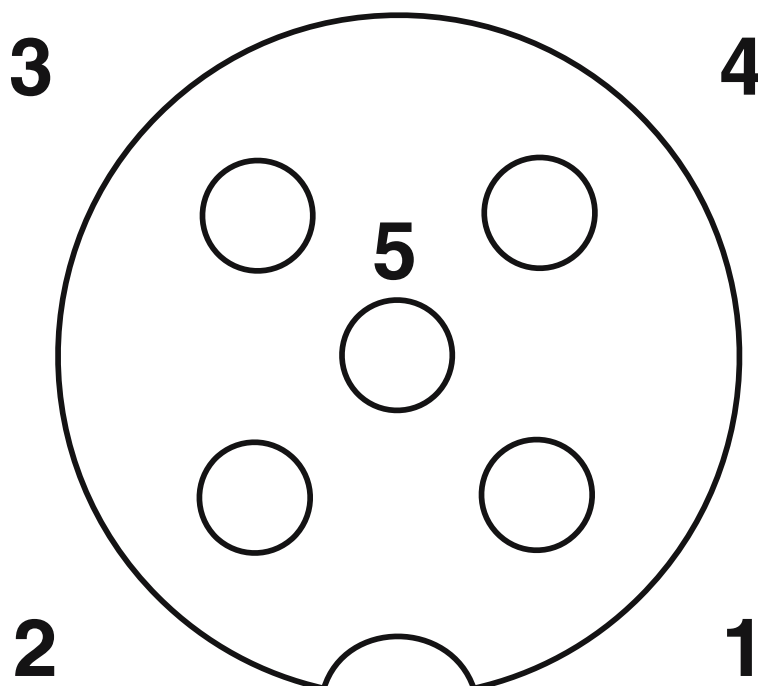
1401305

<https://www.phoenixcontact.com/us/products/1401305>

Drawings



Schematic diagram



M12 slot, socket, 5-pos.

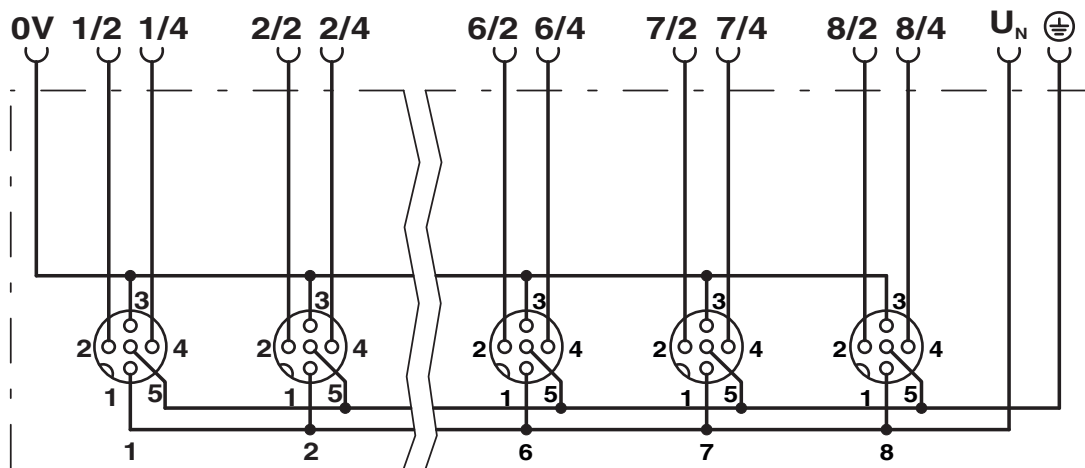
SACB-8/16-20,0PUR SCO - Distributor box



1401305

<https://www.phoenixcontact.com/us/products/1401305>

Circuit diagram



SACB-8/16-20,0PUR SCO - Distributor box



1401305

<https://www.phoenixcontact.com/us/products/1401305>

Classifications

ECLASS

ECLASS-13.0	27440108
ECLASS-15.0	27440108

UNSPSC

UNSPSC 21.0	31251501
-------------	----------

1401305

<https://www.phoenixcontact.com/us/products/1401305>

Environmental product compliance

EU RoHS

Fulfills EU RoHS substance requirements	Yes, No exemptions
---	--------------------

China RoHS

Environment friendly use period (EFUP)	EFUP-50
	An article-related China RoHS declaration table can be found in the download area for the respective article under "Manufacturer declaration". For all articles with EFUP-E, no China RoHS declaration table issued and required.

EU REACH SVHC

REACH candidate substance (CAS No.)	No substance above 0.1 wt%
-------------------------------------	----------------------------

Phoenix Contact 2026 © - all rights reserved

<https://www.phoenixcontact.com>

Phoenix Contact USA
586 Fulling Mill Road
Middletown, PA 17057, United States
(+717) 944-1300
info@phoenixcon.com