

SAC-3P- 3,0-PUR/A-1L-R-ES 4A - Sensor/actuator cable



1401131

<https://www.phoenixcontact.com/us/products/1401131>

Please be informed that the data shown in this PDF document is generated from our online catalog. Please find the complete data in the user documentation. Our general terms of use for downloads are valid.



Sensor/actuator cable, 3-position, PUR halogen-free, black-gray RAL 7021, free cable end, on Valve connector A, with 1 LED, Wiring: Freewheeling diode with holding current limiting device, cable length: 3 m, with holding current limiting device for energy reduction

Commercial data

| | |
|--------------------------------------|---------------|
| Item number | 1401131 |
| Packing unit | 1 pc |
| Minimum order quantity | 1 pc |
| Product key | AF1DAA |
| GTIN | 4046356924528 |
| Weight per piece (including packing) | 119.5 g |
| Weight per piece (excluding packing) | 115.2 g |
| Country of origin | DE |

SAC-3P- 3,0-PUR/A-1L-R-ES 4A - Sensor/actuator cable



1401131

<https://www.phoenixcontact.com/us/products/1401131>

Technical data

Product properties

| | |
|----------------------|--|
| Product type | Sensor/actuator cable with valve connector |
| Application | Standard |
| Number of positions | 3 |
| No. of cable outlets | 1 |
| Shielded | no |

Material specifications

| | |
|------------------------------------|--------|
| Seal material | TPU |
| Material housing valve plug | TPU |
| Contact material | CuSn |
| Valve plug contact insert material | PA 6.6 |
| Contact surface material | Ag |

Electrical properties

| | |
|-----------------------|----------------------------|
| Insulation resistance | $\geq 100 \text{ M}\Omega$ |
| Nominal voltage U_N | 24 V DC $\pm 20 \%$ |
| Nominal current I_N | 4 A |

Valve connector characteristics

| | |
|---------------------|--|
| Switch-over time | approx. 500 ms (Initial operating time) |
| Clock frequency | approx. 800 Hz (Holding current limiting device) |
| Switching frequency | max. 1 Hz (Connected valve) |
| Fixing screws | M3 x 28 |

Signaling

| | |
|------------------------|-------|
| Status display | 1 LED |
| Status display present | yes |

Connector

Connection 1

| | |
|------|----------------|
| Type | free cable end |
|------|----------------|

Connection 2

| | |
|---------------------|---|
| Type | Valve connector A |
| Number of positions | 3 |
| Material | CuSn (Contact) |
| | Sn (Contact surface) |
| | PA 6.6 (Contact carrier) |
| | TPU (Housing) |
| Protective circuit | Freewheeling diode with holding current limiting device |

SAC-3P- 3,0-PUR/A-1L-R-ES 4A - Sensor/actuator cable



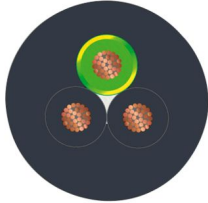
1401131

<https://www.phoenixcontact.com/us/products/1401131>

Cable/line

| | |
|--------------|-----|
| Cable length | 3 m |
|--------------|-----|

PUR halogen-free black [PUR]

| | |
|---|---|
| Dimensional drawing |  |
| Cable weight | 30 kg/km |
| UL AWM Style | 20549 |
| Number of positions | 3 |
| Shielded | no |
| Cable type | PUR halogen-free black [PUR] |
| Conductor structure signal line | 28x 0.15 mm |
| AWG signal line | 20 |
| Conductor cross-section | 3x 0.5 mm ² |
| Wire diameter incl. insulation | 1.5 mm ±0.05 mm (Signal line) |
| External cable diameter | 4.50 mm ±0.2 mm |
| Outer sheath, material | PUR |
| External sheath, color | black-gray RAL 7021 |
| Conductor material | Bare Cu litz wires |
| Material wire insulation | PP |
| Single wire, color | black 1, black 2, green/yellow |
| Overall twist | 3 wires, twisted |
| Max. conductor resistance | 39 Ω/km (at 20 °C) |
| Insulation resistance | min. 20 MΩ*km |
| Nominal voltage, cable | ≤ 300 V |
| Test voltage | ≥ 1200 V |
| Minimum bending radius, fixed installation | 5 x D |
| Minimum bending radius, flexible installation | 10 x D |
| Smallest bending radius, fixed installation | 22.5 mm |
| Smallest bending radius, movable installation | 45 mm |
| Dynamic load capacity (bending) | Max. bending cycles: 15000000, Bending radius: 50 mm, Traversing path: 0.9 m, Traversing rate: 5 m/s, Acceleration: 30 m/s ² |
| Halogen-free | in accordance with DIN VDE 0472 part 815 |
| Flame resistance | according to DIN VDE 0482 According to DIN EN 50265-2-1 |
| Resistance to oil | in accordance with DIN EN 60811-2-1 |
| Other resistance | largely oil-resistant |

SAC-3P- 3,0-PUR/A-1L-R-ES 4A - Sensor/actuator cable



1401131

<https://www.phoenixcontact.com/us/products/1401131>

| | |
|---------------------------------|--|
| | partly UV-resistant (in accordance with DIN EN ISO 4892-2-A) |
| Ambient temperature (operation) | -40 °C ... 80 °C (cable, fixed installation) |
| | -20 °C ... 80 °C (Cable, flexible installation) |

Environmental and real-life conditions

Ambient conditions

| | |
|---|------------------------------------|
| Degree of protection | IP67 |
| Ambient temperature (operation) (Valve connector) | -25 °C ... 80 °C (Valve connector) |

Standards and regulations

Valve connector

| | |
|--------------------------|-----------------|
| Standard designation | Valve connector |
| Standards/specifications | EN 175301-803 |

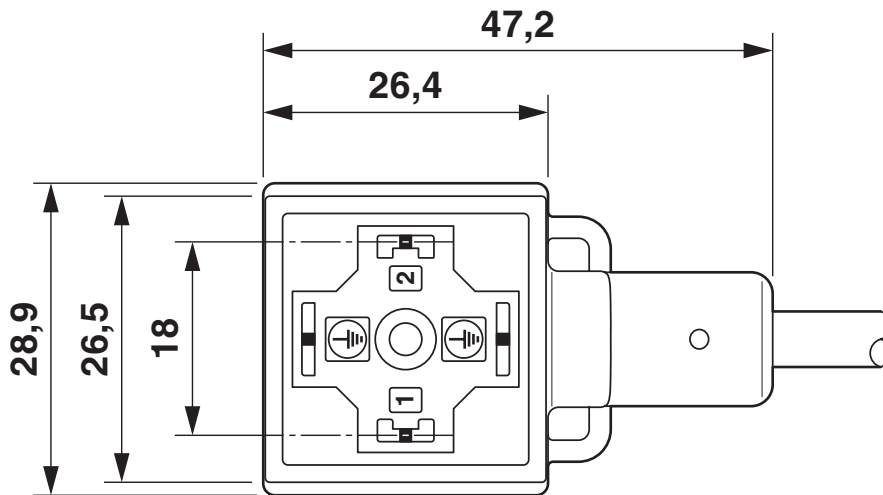
SAC-3P- 3,0-PUR/A-1L-R-ES 4A - Sensor/actuator cable

1401131

<https://www.phoenixcontact.com/us/products/1401131>

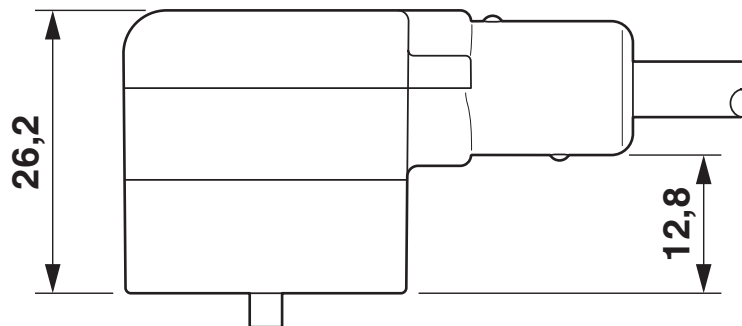
Drawings

Dimensional drawing



Valve connector, type A

Dimensional drawing



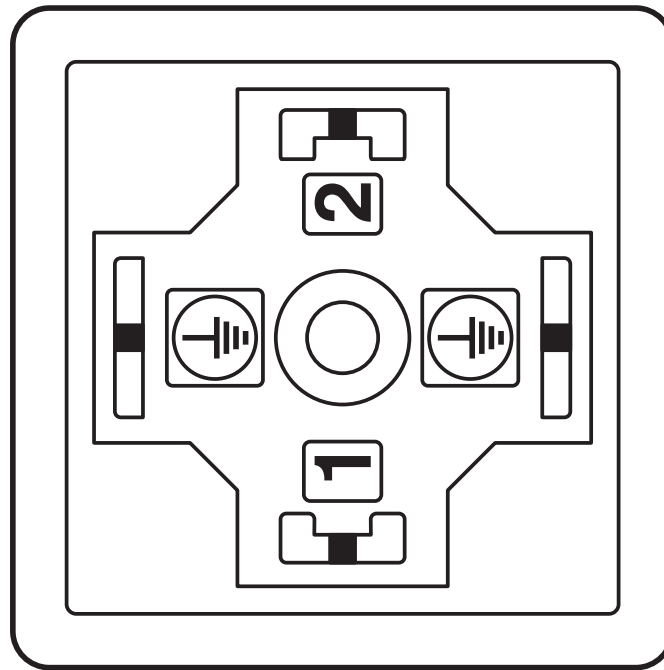
Valve connector, type A, side view

SAC-3P- 3,0-PUR/A-1L-R-ES 4A - Sensor/actuator cable

1401131

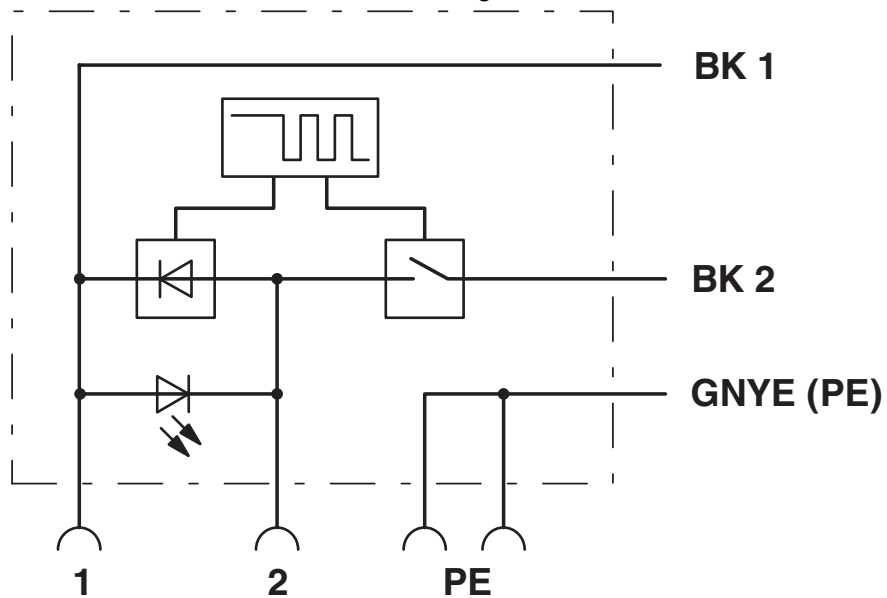
<https://www.phoenixcontact.com/us/products/1401131>

Schematic diagram



Valve connector pin assignment, type A

Circuit diagram



Contact assignment of the valve plug

SAC-3P- 3,0-PUR/A-1L-R-ES 4A - Sensor/actuator cable



1401131

<https://www.phoenixcontact.com/us/products/1401131>

Classifications

ECLASS

| | |
|-------------|----------|
| ECLASS-13.0 | 27060312 |
| ECLASS-15.0 | 27060312 |

ETIM

| | |
|----------|----------|
| ETIM 9.0 | EC001855 |
|----------|----------|

UNSPSC

| | |
|-------------|----------|
| UNSPSC 21.0 | 31251500 |
|-------------|----------|

SAC-3P- 3,0-PUR/A-1L-R-ES 4A - Sensor/actuator cable



1401131

<https://www.phoenixcontact.com/us/products/1401131>

Environmental product compliance

EU RoHS

| | |
|---|--------------------|
| Fulfills EU RoHS substance requirements | Yes, No exemptions |
|---|--------------------|

China RoHS

| | |
|--|--|
| Environment friendly use period (EFUP) | EFUP-E |
| | No hazardous substances above the limits |

EU REACH SVHC

| | |
|-------------------------------------|----------------------------|
| REACH candidate substance (CAS No.) | No substance above 0.1 wt% |
|-------------------------------------|----------------------------|

Phoenix Contact 2026 © - all rights reserved
<https://www.phoenixcontact.com>

Phoenix Contact USA
586 Fulling Mill Road
Middletown, PA 17057, United States
(+717) 944-1300
info@phoenixcon.com