

SAC-5P-MINT/2XMIN DN - Bus system T-connector



1401029

<https://www.phoenixcontact.com/us/products/1401029>

Please be informed that the data shown in this PDF document is generated from our online catalog. Please find the complete data in the user documentation. Our general terms of use for downloads are valid.

Bus system T-connector, DeviceNet™, 5-position, unshielded, Plug straight 7/8"-16UNF, on Socket straight 7/8"-16UNF and Socket straight 7/8"-16UNF, Parallel distributor



Commercial data

Item number	1401029
Packing unit	1 pc
Sales key	BF10
Product key	AF1GCA
GTIN	4046356542616
Weight per piece (including packing)	98.7 g
Weight per piece (excluding packing)	98.7 g
Customs tariff number	85366990
Country of origin	DE

1401029

<https://www.phoenixcontact.com/us/products/1401029>

Technical data

Product properties

Product type	T-distributor
Sensor type	DeviceNet™
Number of positions	5
No. of cable outlets	2
Shielded	no
Thread type	7/8"

Insulation characteristics

Overvoltage category	II
Degree of pollution	3

Electrical properties

Insulation resistance	≥ 100 MΩ
Nominal voltage U_N	63 V DC
Nominal current I_N	10 A (at 25 °C)

Interfaces

Bus system	DeviceNet™
Signal type/category	DeviceNet™

Signaling

Status display	no
Status display present	no

Material specifications

Flammability rating according to UL 94	HB
Seal material	TPU
Material of grip body	TPU
Contact material	CuZn
Contact surface material	Au
Contact carrier material	PA
Material for screw connection	Zinc die-cast, nickel-plated

Connector

Connection 1

Type	Plug straight 7/8"-16UNF
------	--------------------------

Connection 2

Type	Socket straight 7/8"-16UNF
------	----------------------------

Connection 3

Type	Socket straight 7/8"-16UNF
------	----------------------------

SAC-5P-MINT/2XMIN DN - Bus system T-connector



1401029

<https://www.phoenixcontact.com/us/products/1401029>

Cable/line

Signal type/category	DeviceNet™
----------------------	------------

Mechanical properties

Mechanical data

Insertion/withdrawal cycles	≥ 100
-----------------------------	-------

Environmental and real-life conditions

Ambient conditions

Degree of protection	IP65
	IP67
Ambient temperature (operation) (male connector/female connector)	-40 °C ... 80 °C (Plug / socket)

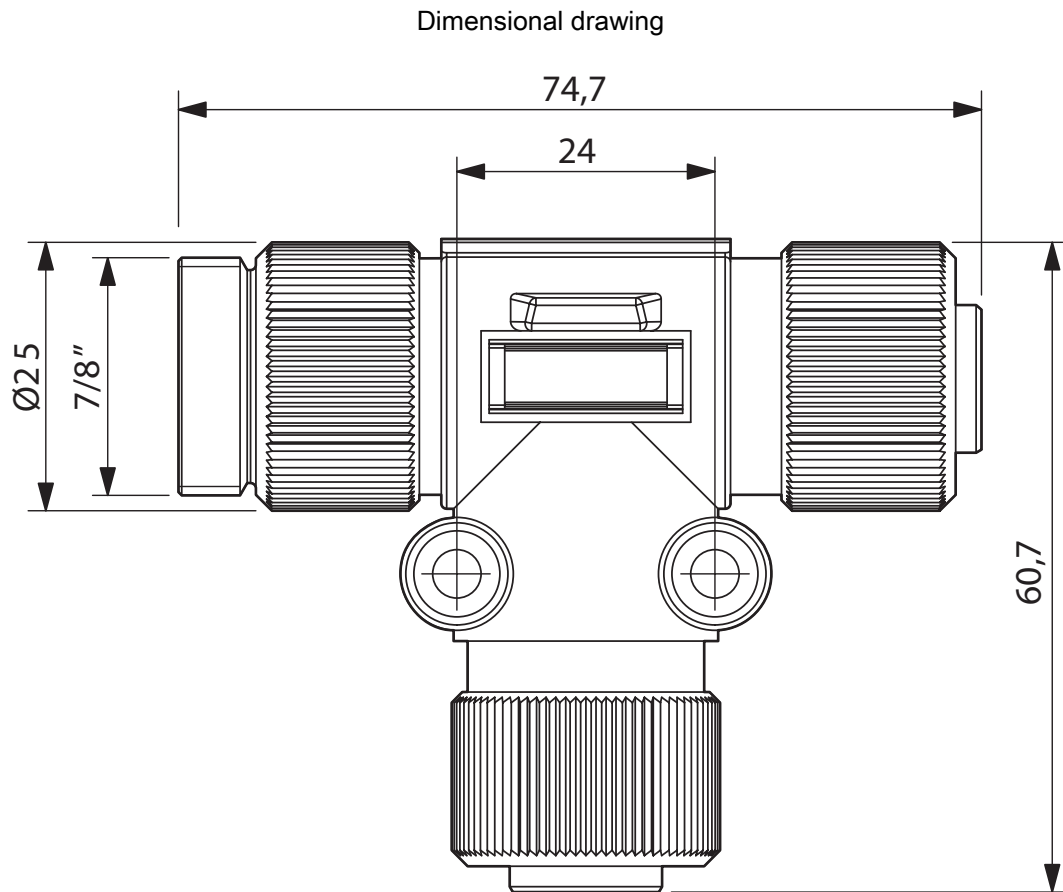
SAC-5P-MINT/2XMIN DN - Bus system T-connector



1401029

<https://www.phoenixcontact.com/us/products/1401029>

Drawings



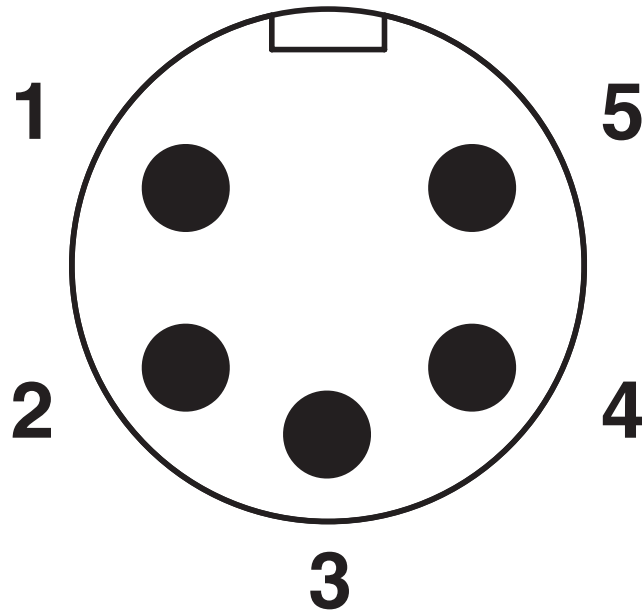
T-distributor 7/8", top view

SAC-5P-MINT/2XMIN DN - Bus system T-connector

1401029

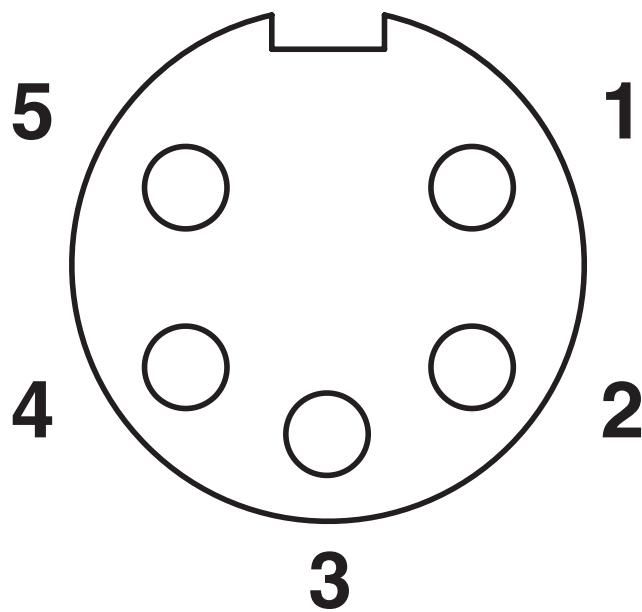
<https://www.phoenixcontact.com/us/products/1401029>

Schematic diagram



Pin assignment, plug, 7/8"-16UNF, 5-pos., view of male side

Schematic diagram



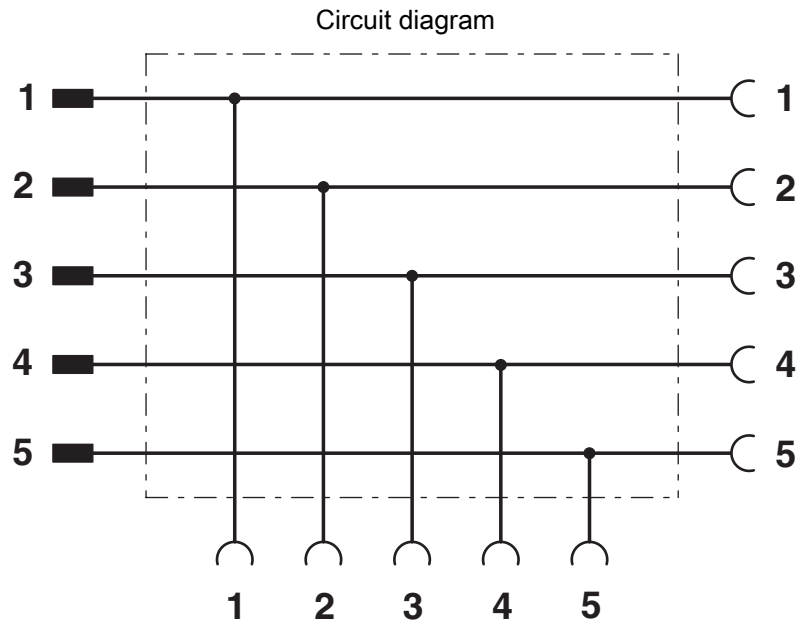
Pin assignment, socket, 7/8"-16UNF, 5-pos., view of female side

SAC-5P-MINT/2XMIN DN - Bus system T-connector



1401029

<https://www.phoenixcontact.com/us/products/1401029>



Contact assignment of the 7/8" T-distributor

SAC-5P-MINT/2XMIN DN - Bus system T-connector



1401029

<https://www.phoenixcontact.com/us/products/1401029>

Classifications

ECLASS

ECLASS-13.0	27440106
ECLASS-15.0	27440106

UNSPSC

UNSPSC 21.0	31251500
-------------	----------

1401029

<https://www.phoenixcontact.com/us/products/1401029>

Environmental product compliance

EU RoHS

Fulfills EU RoHS substance requirements	Yes
Exemption	6(c)

China RoHS

Environment friendly use period (EFUP)	EFUP-50
	An article-related China RoHS declaration table can be found in the download area for the respective article under "Manufacturer declaration". For all articles with EFUP-E, no China RoHS declaration table issued and required.

EU REACH SVHC

REACH candidate substance (CAS No.)	Lead(CAS: 7439-92-1)
SCIP	5542ec1e-a438-4995-9aa3-c4e7cd21e8dd

Phoenix Contact 2026 © - all rights reserved

<https://www.phoenixcontact.com>

Phoenix Contact USA
586 Fulling Mill Road
Middletown, PA 17057, United States
(+717) 944-1300
info@phoenixcon.com