

SACC-DSI-MS-8P-PG9/0,5 014 SCO - Panel feed-through



1401007

<https://www.phoenixcontact.com/us/products/1401007>

Please be informed that the data shown in this PDF document is generated from our online catalog. Please find the complete data in the user documentation. Our general terms of use for downloads are valid.



Sensor/actuator flush-type plug, 8-pos., M12 SPEEDCON, rear/screw mounting with Pg9 thread, with 0.5 m TPE litz wire, 8 x 0.14 mm²

Commercial data

Item number	1401007
Packing unit	1 pc
Minimum order quantity	50 pc
Product key	ABQCGE
GTIN	4046356516983
Weight per piece (including packing)	24.6 g
Weight per piece (excluding packing)	24.6 g
Country of origin	DE

SACC-DSI-MS-8P-PG9/0,5 014 SCO - Panel feed-through



1401007

<https://www.phoenixcontact.com/us/products/1401007>

Technical data

Product properties

Number of positions	8
No. of cable outlets	1
Shielded	no
Coding	A

Insulation characteristics

Overvoltage category	II
Degree of pollution	3

Electrical properties

Rated surge voltage	0.8 kV
Contact resistance	$\leq 3 \text{ m}\Omega$
Insulation resistance	$\geq 100 \text{ M}\Omega$
Nominal voltage U_N	30 V
Nominal current I_N	2 A

Connection data

Connection method	Individual wires
-------------------	------------------

Signaling

Status display	no
Status display present	no

Material specifications

Flammability rating according to UL 94	V0
Seal material	NBR
Contact material	CuZn
Contact surface material	Au
Contact carrier material	PA 6.6
Material for screw connection	Zinc die-cast, nickel-plated

Connector

Connection 1

Head design	Plug
Head cable outlet	straight
Head thread type	M12
Head locking type	SPEEDCON
Coding	A

Cable/line

Cable length	0.5 m
--------------	-------

SACC-DSI-MS-8P-PG9/0,5 014 SCO - Panel feed-through



1401007

<https://www.phoenixcontact.com/us/products/1401007>

Cable type	TPE litz wire
Single wire, color	brown, blue, white, gray, pink, green, yellow, red
Cable cross section	0.14 mm ²
Conductor structure signal line	8x
AWG signal line	26
Material wire insulation	TPE

Environmental and real-life conditions

Ambient conditions

Degree of protection	IP67 (When plugged in)
	IP65 (When plugged in)
	IP65/IP67
Ambient temperature (operation)	-25 °C ... 85 °C (Plug / socket)
	-25 °C ... 90 °C (cable, fixed installation)

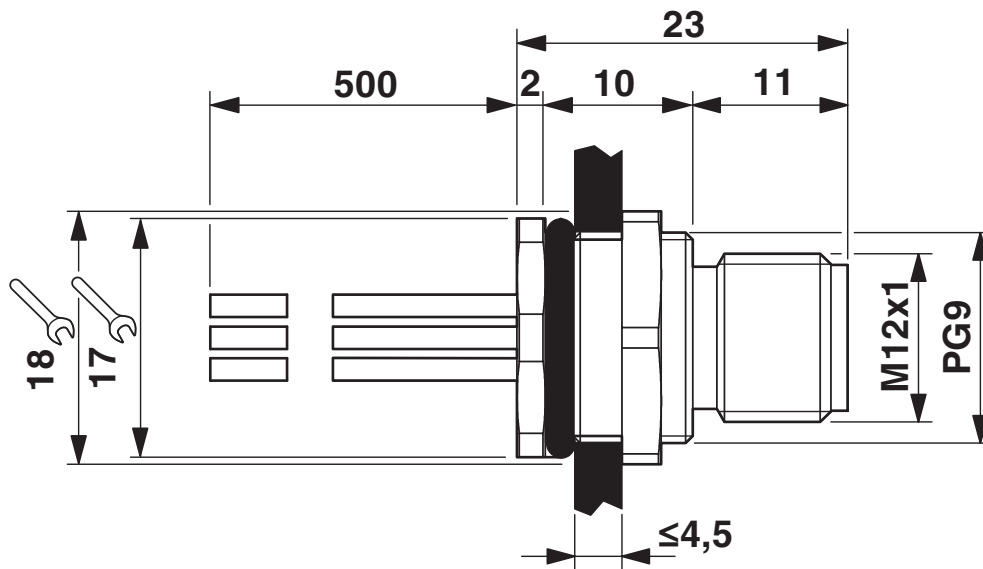
SACC-DSI-MS-8P-PG9/0,5 014 SCO - Panel feed-through

1401007

<https://www.phoenixcontact.com/us/products/1401007>

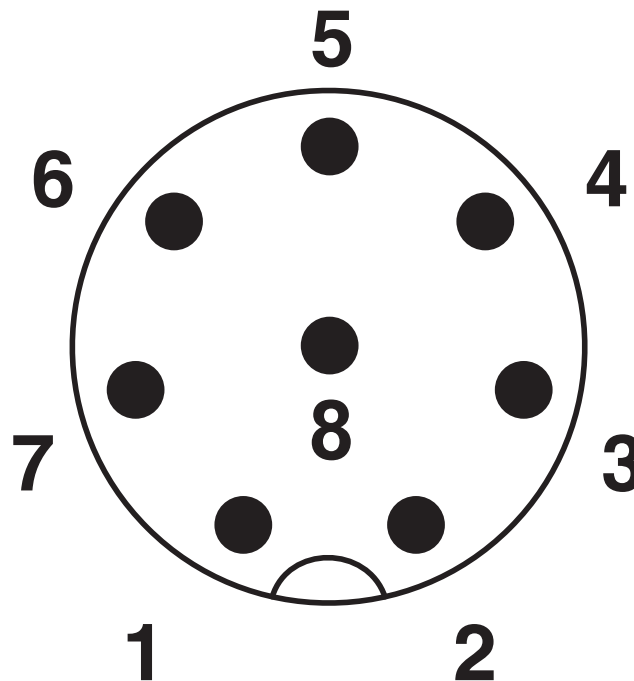
Drawings

Dimensional drawing



M12 flush-type plug

Schematic diagram



Pin assignment M12 plug, 8-pos., view plug side

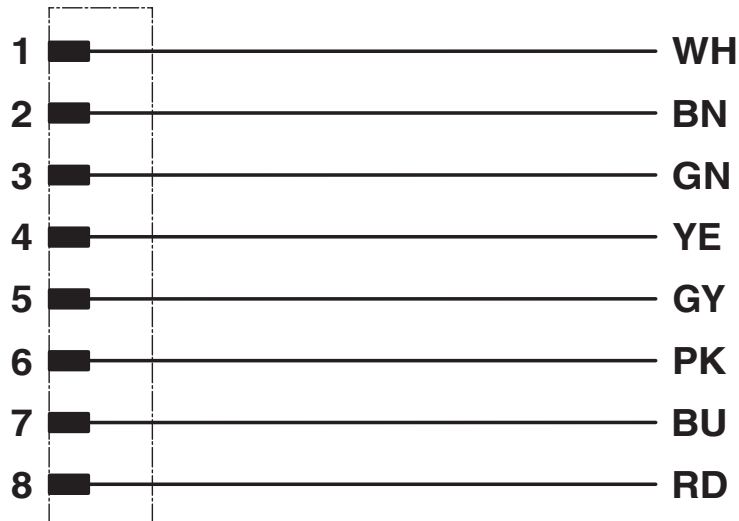
SACC-DSI-MS-8P-PG9/0,5 014 SCO - Panel feed-through



1401007

<https://www.phoenixcontact.com/us/products/1401007>

Circuit diagram



Contact assignment of the M12 plug

Phoenix Contact 2026 © - all rights reserved
<https://www.phoenixcontact.com>

Phoenix Contact USA
586 Fulling Mill Road
Middletown, PA 17057, United States
(+717) 944-1300
info@phoenixcon.com