

SACB-8/16-C GG SCO - Distributor box header



1400975

<https://www.phoenixcontact.com/us/products/1400975>

Please be informed that the data shown in this PDF document is generated from our online catalog. Please find the complete data in the user documentation. Our general terms of use for downloads are valid.



Distributor box header, connection method: M12 socket Metal, number of slots: 8, number of positions: 5, coding: A, slot assignment: Double, status display: no, Universal; master cable connection: Pluggable screw connection, shielding: no

Commercial data

Item number	1400975
Packing unit	1 pc
Minimum order quantity	25 pc
Note	Made to order (non-returnable)
Product key	AF3CCD
GTIN	4046356516068
Weight per piece (including packing)	313.3 g
Weight per piece (excluding packing)	298.5 g
Country of origin	DE

SACB-8/16-C GG SCO - Distributor box header



1400975

<https://www.phoenixcontact.com/us/products/1400975>

Technical data

Notes

Assembly note	NOTE: Observe the permissible bending radii when routing cables, since the degree of protection may be at risk if the bending forces are too high. Reduce mechanical loads upstream of the connector, e.g., by using cable ties.
Note on application	Unused slots are to be sealed off prior to commissioning. Suitable sealing elements are to be found under "Accessories".

Product properties

Product type	Distributor box
Number of positions	5
Number of slots	8
Coding	A

Electrical properties

Max. operating voltage U_{max}	135 V
Nominal voltage U_N	120 V
Rated current, total	10 A
	2x 8 A (For electrical isolation)
Max. current carrying capacity per path	2 A
Current carrying capacity per slot	4 A

Connection data

Conductor connection

Sensor/actuator connection system	M12 socket
Tightening torque slot sensor/actuator cable	0.4 Nm
Tightening torque of mounting screw for fixing the housing	0.5 Nm

Connection assignment

Slot/position = Wire color or connection	1 / 4 (A) = 1 / 4
	1 / 2 (B) = 1 / 2
	2 / 4 (A) = 2 / 4
	2 / 2 (B) = 2 / 2
	3 / 4 (A) = 3 / 4
	3 / 2 (B) = 3 / 2
	4 / 4 (A) = 4 / 4
	4 / 2 (B) = 4 / 2
	5 / 4 (A) = 5 / 4
	5 / 2 (B) = 5 / 2
	6 / 4 (A) = 6 / 4
	6 / 2 (B) = 6 / 2
	7 / 4 (A) = 7 / 4

SACB-8/16-C GG SCO - Distributor box header



1400975

<https://www.phoenixcontact.com/us/products/1400975>

	7 / 2 (B) = 7 / 2
	8 / 4 (A) = 8 / 4
	8 / 2 (B) = 8 / 2
	1-8 / 1 (+ 120 V) = U _N
	1-8 / 3 (0 V) = 0 V
	1-8 / 5 (PE) = PE

Signaling

Status display present	no
------------------------	----

Material specifications

Material Threaded sleeve	Die-cast zinc
Material Housing	PBT
Material Molding compound	PUR
Flammability rating according to UL 94	V0
Seal material O-ring	NBR
Contact material	Cu alloy
Contact surface material	gold-plated
Contact carrier material	PA
Material of contact, master cable side	CU alloy
Material of the contact carrier on the master cable side	PA 6.6 V0
Material of contact surface, master cable side	gold-plated

Cable/line

Connection method	Pluggable screw connection
-------------------	----------------------------

Environmental and real-life conditions

Ambient conditions

Degree of protection	IP65
	IP67
	IP69K
Ambient temperature (operation)	-30 °C ... 80 °C

SACB-8/16-C GG SCO - Distributor box header

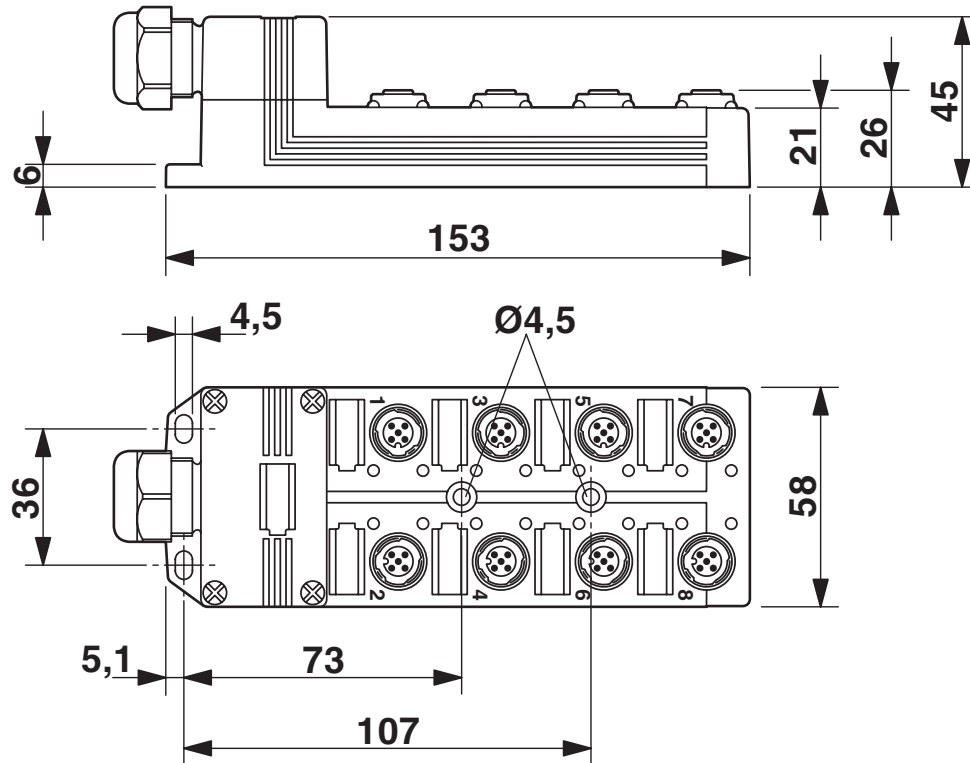


1400975

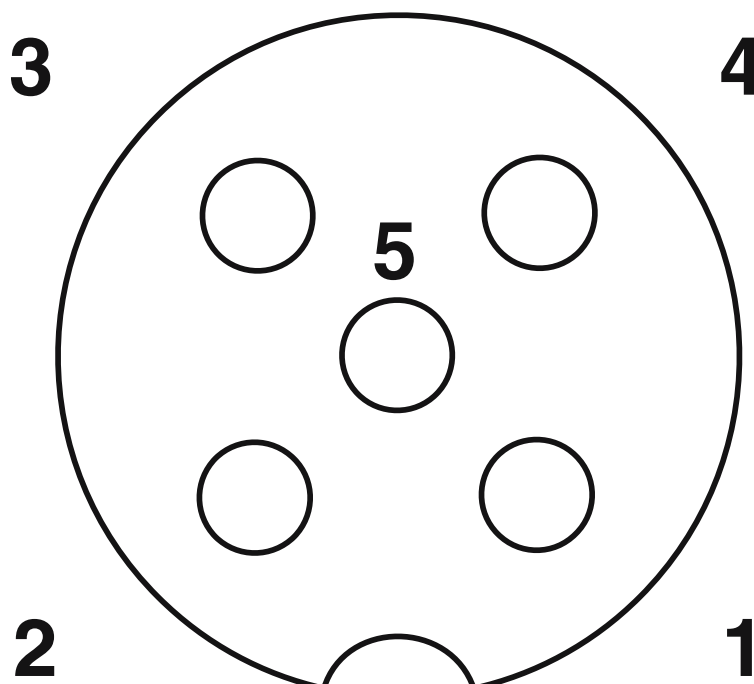
<https://www.phoenixcontact.com/us/products/1400975>

Drawings

Dimensional drawing



Schematic diagram



M12 slot, socket, 5-pos.

SACB-8/16-C GG SCO - Distributor box header

1400975

<https://www.phoenixcontact.com/us/products/1400975>

Schematic diagram



Potential U_{N1} and U_{N2} bridged

SACB-8/16-C GG SCO - Distributor box header

1400975

<https://www.phoenixcontact.com/us/products/1400975>

Schematic diagram



Electrically isolated

SACB-8/16-C GG SCO - Distributor box header



1400975

<https://www.phoenixcontact.com/us/products/1400975>

Circuit diagram



SACB-8/16-C GG SCO - Distributor box header



1400975

<https://www.phoenixcontact.com/us/products/1400975>

Approvals

To download certificates, visit the product detail page: <https://www.phoenixcontact.com/us/products/1400975>

 cUL Recognized Approval ID: E118976				
	Nominal voltage U_N	Nominal current I_N	Cross section AWG	Cross section mm^2
keine				
	24 V	3 A	-	-

 UL Recognized Approval ID: E118976				
	Nominal voltage U_N	Nominal current I_N	Cross section AWG	Cross section mm^2
keine				
	24 V	3 A	-	-

SACB-8/16-C GG SCO - Distributor box header



1400975

<https://www.phoenixcontact.com/us/products/1400975>

Classifications

ECLASS

ECLASS-13.0	27440111
ECLASS-15.0	27440111

ETIM

ETIM 10.0	EC003558
-----------	----------

UNSPSC

UNSPSC 21.0	31251500
-------------	----------

SACB-8/16-C GG SCO - Distributor box header



1400975

<https://www.phoenixcontact.com/us/products/1400975>

Environmental product compliance

EU RoHS

Fulfills EU RoHS substance requirements	Yes, No exemptions
---	--------------------

China RoHS

Environment friendly use period (EFUP)	EFUP-E
	No hazardous substances above the limits

EU REACH SVHC

REACH candidate substance (CAS No.)	No substance above 0.1 wt%
-------------------------------------	----------------------------

Phoenix Contact 2026 © - all rights reserved
<https://www.phoenixcontact.com>

Phoenix Contact USA
586 Fulling Mill Road
Middletown, PA 17057, United States
(+717) 944-1300
info@phoenixcon.com