

SAC-3P-MS/1,0-PUR/B-1L-Z SCO - Cable



1400724

<https://www.phoenixcontact.com/us/products/1400724>

Please be informed that the data shown in this PDF document is generated from our online catalog. Please find the complete data in the user documentation. Our general terms of use for downloads are valid.



Cable, Plug straight M12 SPEEDCON, coding: A, on Valve connector B (10 mm), with 1 LED, Wiring: Z diode

Commercial data

Item number	1400724
Packing unit	1 pc
Minimum order quantity	50 pc
Product key	AF1DLA
GTIN	4046356513067
Weight per piece (including packing)	59.45 g
Weight per piece (excluding packing)	59.45 g
Country of origin	PL

SAC-3P-MS/1,0-PUR/B-1L-Z SCO - Cable



1400724

<https://www.phoenixcontact.com/us/products/1400724>

Technical data

Product properties

Product type	Sensor/actuator cable with valve connector
--------------	--

Electrical properties

Nominal voltage U_N	24 V AC
	24 V DC

Connector

Connection 1

Type	Plug straight M12 SPEEDCON
Locking type	SPEEDCON
Coding type	A

Connection 2

Type	Valve connector B (10 mm)
Protective circuit	Z diode

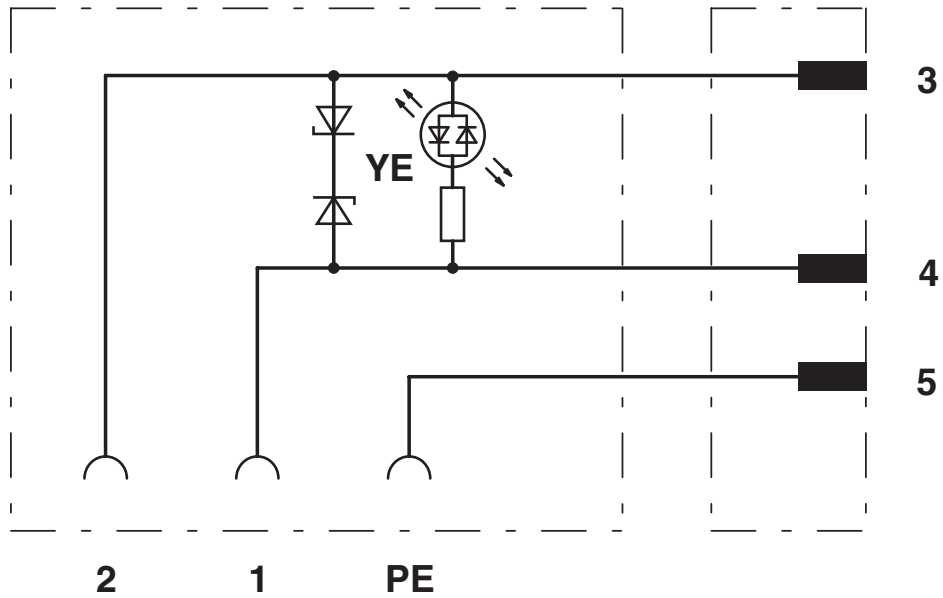
SAC-3P-MS/1,0-PUR/B-1L-Z SCO - Cable

1400724

<https://www.phoenixcontact.com/us/products/1400724>

Drawings

Circuit diagram



Contact assignment of M12 plug and valve connector

SAC-3P-MS/1,0-PUR/B-1L-Z SCO - Cable



1400724

<https://www.phoenixcontact.com/us/products/1400724>

Classifications

ECLASS

ECLASS-13.0	27060312
ECLASS-15.0	27060312

UNSPSC

UNSPSC 21.0	31251500
-------------	----------

1400724

<https://www.phoenixcontact.com/us/products/1400724>

Environmental product compliance

EU RoHS

Fulfills EU RoHS substance requirements	Yes
Exemption	7(c)-I

China RoHS

Environment friendly use period (EFUP)	EFUP-50
	An article-related China RoHS declaration table can be found in the download area for the respective article under "Manufacturer declaration". For all articles with EFUP-E, no China RoHS declaration table issued and required.

EU REACH SVHC

REACH candidate substance (CAS No.)	No substance above 0.1 wt%
-------------------------------------	----------------------------

Phoenix Contact 2026 © - all rights reserved
<https://www.phoenixcontact.com>

Phoenix Contact USA
586 Fulling Mill Road
Middletown, PA 17057, United States
(+717) 944-1300
info@phoenixcon.com