

SAC-3P-M12MS/0,6-PUR/B-1L-Z180 - Sensor/actuator cable



1400686

<https://www.phoenixcontact.com/us/products/1400686>

Please be informed that the data shown in this PDF document is generated from our online catalog. Please find the complete data in the user documentation. Our general terms of use for downloads are valid.



Sensor/actuator cable, 3-position, Plug straight M12, coding: A, with 1 LED, on Valve connector B (10 mm), with 1 LED, Wiring: Z diode, cable length: 0.6 m, Customer version, 180° version

Commercial data

Item number	1400686
Packing unit	1 pc
Minimum order quantity	5 pc
Note	Made to order (non-returnable)
Sales key	BF07
Product key	AF1DLA
GTIN	4046356511773
Weight per piece (including packing)	47.8 g
Weight per piece (excluding packing)	45.4 g
Customs tariff number	85444290
Country of origin	PL

SAC-3P-M12MS/0,6-PUR/B-1L-Z180 - Sensor/actuator cable



1400686

<https://www.phoenixcontact.com/us/products/1400686>

Technical data

Product properties

Product type	Sensor/actuator cable with valve connector
Number of positions	3
No. of cable outlets	1
Coding	A

Insulation characteristics

Overvoltage category	II
Degree of pollution	3

Material specifications

Flammability rating according to UL 94	HB
Seal material	TPU
Material housing valve plug	PBT
Material of grip body	TPU, hardly inflammable, self-extinguishing
Contact material	CuSn
Contact surface material	Ni/Au
Contact carrier material	TPU GF
Contact material	CuSn
Valve plug contact insert material	PBT
Contact surface material	Ag
Material for screw connection	Zinc die-cast, nickel-plated

Electrical properties

Insulation resistance	≥ 100 MΩ
Nominal voltage U_N	24 V AC
	24 V DC
Nominal current I_N	4 A
Protective circuit	Surge protection

Mechanical properties

Mechanical data

Insertion/withdrawal cycles	≥ 100
-----------------------------	-------

Signaling

Status display	1 LED
Status display present	yes

Connector

Connection 1

Type	Plug straight M12
------	-------------------

SAC-3P-M12MS/0,6-PUR/B-1L-Z180 - Sensor/actuator cable



1400686

<https://www.phoenixcontact.com/us/products/1400686>

Number of positions	3
Coding type	A

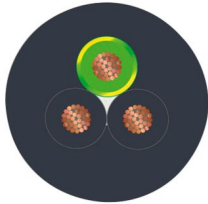
Connection 2

Type	Valve connector B (10 mm)
Number of positions	3
Material	CuSn (Contact)
	Ag (Contact surface)
	PBT (Contact carrier)
	PBT (Housing)
Protective circuit	Z diode

Cable/line

Cable length	0.6 m
--------------	-------

PUR halogen-free black [PUR]

Dimensional drawing	
Shielded	no
UL AWM Style	20549
Cable weight	30 kg/km
Cable type	PUR halogen-free black
Cable type (abbreviation)	PUR
External cable diameter	4.50 mm ±0.2 mm
Outer sheath, material	PUR
External sheath, color	black-gray RAL 7021
Conductor material	Bare Cu litz wires
Conductor structure signal line	28x 0.15 mm
AWG signal line	20
Conductor cross-section	3x 0.5 mm ²
Material wire insulation	PP
Wire diameter incl. insulation	1.5 mm ±0.05 mm (Signal line)
Single wire, color	black 1, black 2, green/yellow
Overall twist	3 wires, twisted
Nominal voltage, cable	≤ 300 V
Test voltage, cable	≥ 1200 V
Cable resistance	39 Ω/km (at 20 °C)
Cable insulation resistance	min. 20 MΩ*km
Minimum bending radius, fixed installation	5 x D

SAC-3P-M12MS/0,6-PUR/B-1L-Z180 - Sensor/actuator cable



1400686

<https://www.phoenixcontact.com/us/products/1400686>

Minimum bending radius, flexible installation	10 x D
Number of bending cycles	15000000
Bending radius	50 mm
Traversing path	0.9 m
Traversing rate	5 m/s
Acceleration	30 m/s ²
Halogen-free	in accordance with DIN VDE 0472 part 815
Resistance to oil	in accordance with DIN EN 60811-2-1
Flame resistance	according to DIN VDE 0482 According to DIN EN 50265-2-1
Other resistance	largely oil-resistant partly UV-resistant (in accordance with DIN EN ISO 4892-2-A)
Ambient temperature (operation)	-20 °C ... 80 °C (Cable, flexible installation) -40 °C ... 80 °C (cable, fixed installation)

Environmental and real-life conditions

Ambient conditions

Degree of protection	IP67
Ambient temperature (operation)	-25 °C ... 90 °C (Plug / socket) -20 °C ... 80 °C (Valve connector) -30 °C ... 80 °C (cable, fixed installation) -5 °C ... 70 °C (Cable, flexible installation)

SAC-3P-M12MS/0,6-PUR/B-1L-Z180 - Sensor/actuator cable

1400686

<https://www.phoenixcontact.com/us/products/1400686>

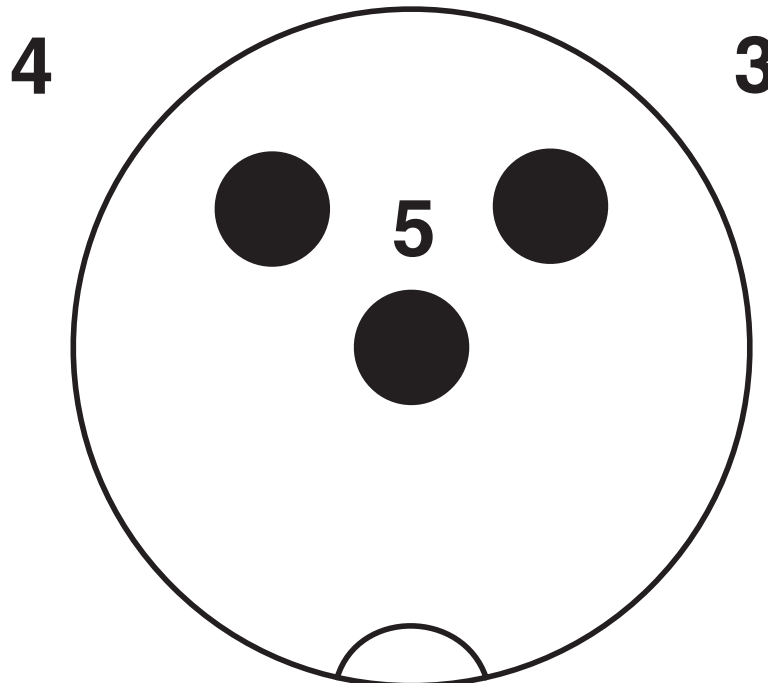
Drawings

Dimensional drawing



Plug, M12 x 1, straight, shielded

Schematic diagram



Pin assignment M12, 3-pos.

SAC-3P-M12MS/0,6-PUR/B-1L-Z180 - Sensor/actuator cable

1400686

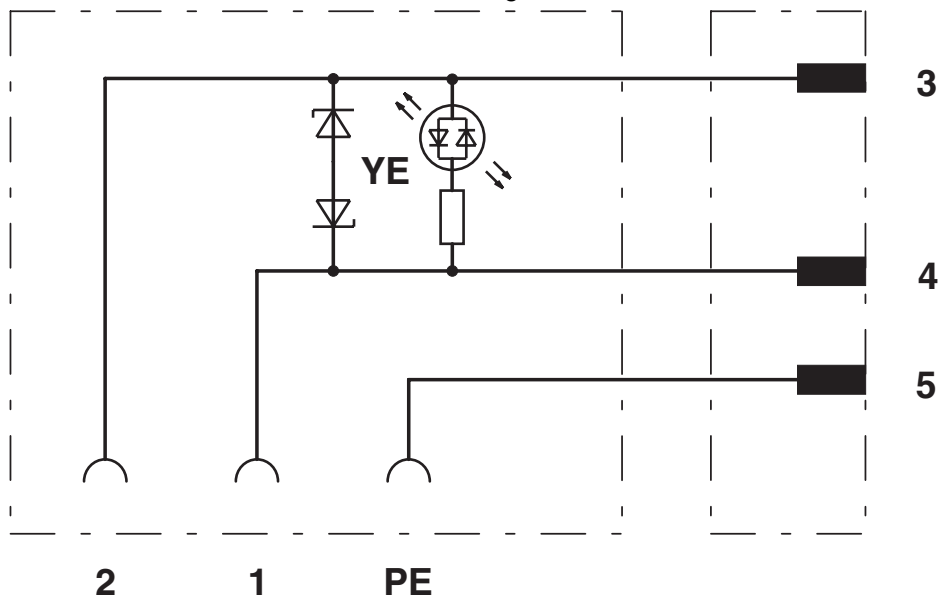
<https://www.phoenixcontact.com/us/products/1400686>

Schematic diagram



Valve connector pin assignment, type B

Circuit diagram



Contact assignment

SAC-3P-M12MS/0,6-PUR/B-1L-Z180 - Sensor/actuator cable





1400686


<https://www.phoenixcontact.com/us/products/1400686>

Approvals

To download certificates, visit the product detail page: <https://www.phoenixcontact.com/us/products/1400686>

 UL Listed Approval ID: FILE E 221474				
	Nominal voltage U_N	Nominal current I_N	Cross section AWG	Cross section mm^2
keine				
	60 V	4 A	-	-

 cUL Listed Approval ID: FILE E 221474				
	Nominal voltage U_N	Nominal current I_N	Cross section AWG	Cross section mm^2
keine				
	60 V	4 A	-	-

 EAC-RoHS Approval ID: RU D-DE.HB35.B.00387	
--	--

SAC-3P-M12MS/0,6-PUR/B-1L-Z180 - Sensor/actuator cable



1400686

<https://www.phoenixcontact.com/us/products/1400686>

Classifications

ECLASS

ECLASS-13.0	27060312
ECLASS-15.0	27060312

ETIM

ETIM 10.0	EC001855
-----------	----------

UNSPSC

UNSPSC 21.0	31251500
-------------	----------

SAC-3P-M12MS/0,6-PUR/B-1L-Z180 - Sensor/actuator cable



1400686

<https://www.phoenixcontact.com/us/products/1400686>

Environmental product compliance

EU RoHS

Fulfills EU RoHS substance requirements	Yes
Exemption	7(c)-I

China RoHS

Environment friendly use period (EFUP)	EFUP-50
	An article-related China RoHS declaration table can be found in the download area for the respective article under "Manufacturer declaration". For all articles with EFUP-E, no China RoHS declaration table issued and required.

EU REACH SVHC

REACH candidate substance (CAS No.)	No substance above 0.1 wt%
-------------------------------------	----------------------------

Phoenix Contact 2026 © - all rights reserved
<https://www.phoenixcontact.com>

Phoenix Contact USA
586 Fulling Mill Road
Middletown, PA 17057, United States
(+717) 944-1300
info@phoenixcon.com