

# SAC-3P-M12MS/1,5-PUR/B-1L-Z VW - Sensor/actuator cable



1400601

<https://www.phoenixcontact.com/us/products/1400601>

Please be informed that the data shown in this PDF document is generated from our online catalog. Please find the complete data in the user documentation. Our general terms of use for downloads are valid.



Sensor/actuator cable, 3-position, PUR halogen-free, irradiated, highly flexible, orange RAL 2003, Plug straight M12, coding: A, with 1 LED, on Valve connector B (10 mm), with 1 LED, Wiring: Z diode, cable length: 1.5 m

## Commercial data

Item number	1400601
Packing unit	1 pc
Minimum order quantity	1 pc
Product key	AF1DLA
GTIN	4046356513081
Weight per piece (including packing)	74.8 g
Weight per piece (excluding packing)	74 g
Country of origin	PL

# SAC-3P-M12MS/1,5-PUR/B-1L-Z VW - Sensor/actuator cable



1400601

<https://www.phoenixcontact.com/us/products/1400601>

## Technical data

### Product properties

Product type	Sensor/actuator cable with valve connector
Number of positions	3
No. of cable outlets	1
Shielded	no
Coding	A

### Insulation characteristics

Overvoltage category	III
Degree of pollution	3

### Material specifications

Flammability rating according to UL 94	HB
Seal material	TPU
Material housing valve plug	TPU
Material of grip body	TPU
Contact material	CuSn
Contact surface material	Ni/Au
Contact carrier material	TPU GF
Contact material	CuSn
Valve plug contact insert material	PA 6.6
Contact surface material	Sn
Material for screw connection	Zinc die-cast, nickel-plated

### Electrical properties

Insulation resistance	$\geq 100 \text{ M}\Omega$
Nominal voltage $U_N$	24 V AC
	24 V DC
Nominal current $I_N$	4 A

### Signaling

Status display	1 LED
Status display present	yes

### Connector

#### Connection 1

Type	Plug straight M12
Number of positions	3
Coding type	A

#### Connection 2

Type	Valve connector B (10 mm)
------	---------------------------

# SAC-3P-M12MS/1,5-PUR/B-1L-Z VW - Sensor/actuator cable



1400601

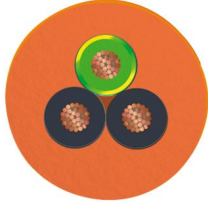
<https://www.phoenixcontact.com/us/products/1400601>

Number of positions	3
Material	CuSn (Contact)
	Sn (Contact surface)
	PA 6.6 (Contact carrier)
	TPU (Housing)
Protective circuit	Z diode

## Cable/line

Cable length	1.5 m
--------------	-------

### PUR irradiated halogen-free orange [150]

Dimensional drawing	
Cable weight	31 kg/km
Number of positions	3
Shielded	no
Cable type	PUR irradiated halogen-free orange [150]
Conductor structure signal line	28x 0.15 mm
AWG signal line	20
Conductor cross-section	3x 0.5 mm <sup>2</sup> (Signal line)
Wire diameter incl. insulation	1.46 mm ±0.02 mm (Signal line)
External cable diameter	4.50 mm ±0.15 mm
Outer sheath, material	PUR
External sheath, color	orange RAL 2003
Conductor material	Bare Cu litz wires
Material wire insulation	TPE-E
Single wire, color	black 1, black 2, green/yellow
Thickness, insulation	≥ 0.21 mm (Core insulation)
	approx. 0.60 mm (Outer cable sheath)
Overall twist	3 wires, twisted
Max. conductor resistance	max. 39 Ω/km (at 20 °C)
Insulation resistance	≥ 100 MΩ*km (at 20 °C)
Nominal voltage, cable	≤ 300 V
Test voltage	≥ 3000 V
Minimum bending radius, fixed installation	5 x D
Minimum bending radius, flexible installation	10 x D
Smallest bending radius, fixed installation	23 mm
Smallest bending radius, movable installation	45 mm

# SAC-3P-M12MS/1,5-PUR/B-1L-Z VW - Sensor/actuator cable



1400601

<https://www.phoenixcontact.com/us/products/1400601>

Dynamic load capacity (bending)	Max. bending cycles: 5000000, Bending radius: 45 mm, Traversing path: 10 m, Traversing rate: 3 m/s
Halogen-free	in accordance with DIN VDE 0472 part 815
Flame resistance	in accordance with DIN UL-Style 20549
Resistance to oil	in accordance with DIN EN 60811-2-1
Special properties	Silicone-free
	Irradiated
Ambient temperature (operation)	-25 °C ... 80 °C (cable, fixed installation)
	-5 °C ... 80 °C (Cable, flexible installation)

## Environmental and real-life conditions

### Ambient conditions

Degree of protection	IP65
	IP67
Ambient temperature (operation) (male connector/female connector)	-25 °C ... 90 °C (Plug / socket)
Ambient temperature (operation) (Valve connector)	-20 °C ... 85 °C (Valve connector)
Ambient temperature (operation) (Cable, fixed installation)	-25 °C ... 80 °C (cable, fixed installation)
Ambient temperature (operation) (Cable, flexible installation)	-5 °C ... 80 °C (Cable, flexible installation)

# SAC-3P-M12MS/1,5-PUR/B-1L-Z VW - Sensor/actuator cable

1400601

<https://www.phoenixcontact.com/us/products/1400601>

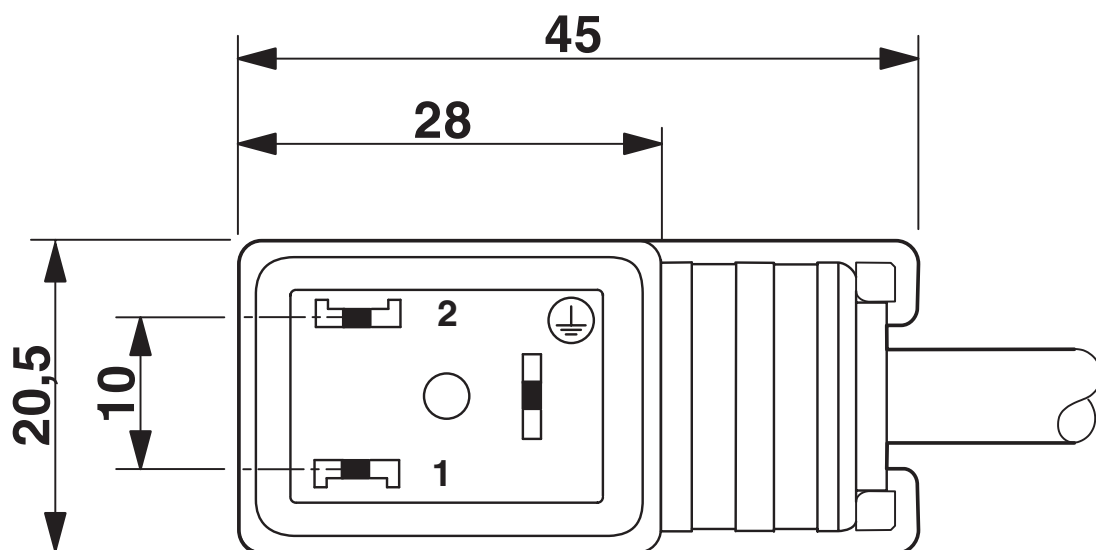
## Drawings

Dimensional drawing



Plug, M12 x 1, straight, shielded

Dimensional drawing

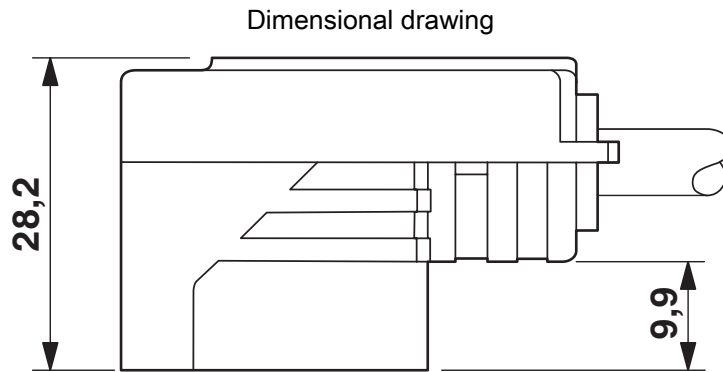


Valve connector, type B

# SAC-3P-M12MS/1,5-PUR/B-1L-Z VW - Sensor/actuator cable

1400601

<https://www.phoenixcontact.com/us/products/1400601>



Valve connector, type B, side view

Schematic diagram

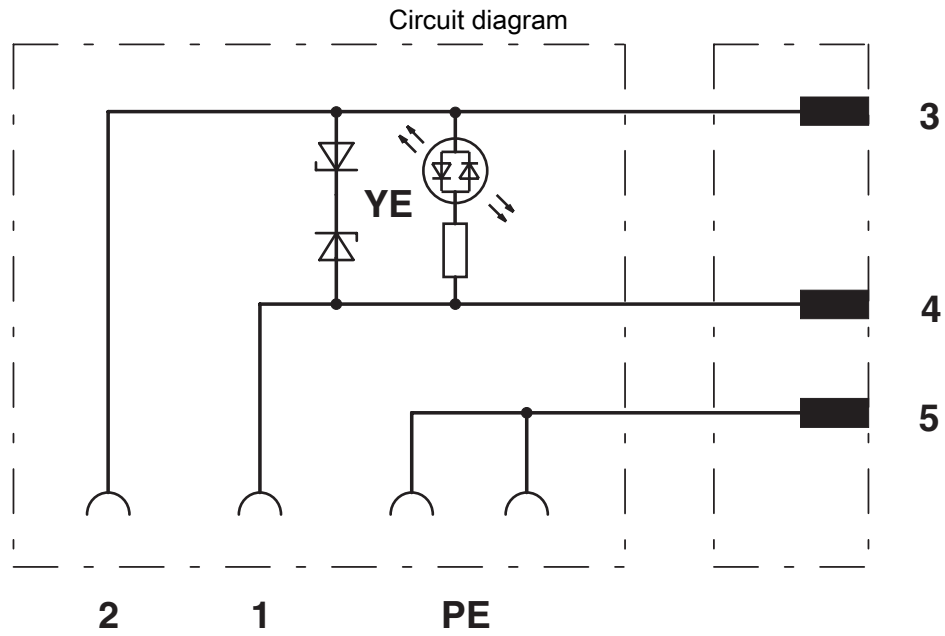


Pin assignment M12 plug, 3-pos., valve connector

# SAC-3P-M12MS/1,5-PUR/B-1L-Z VW - Sensor/actuator cable

1400601

<https://www.phoenixcontact.com/us/products/1400601>



Contact assignment of M12 plug and valve connector

# SAC-3P-M12MS/1,5-PUR/B-1L-Z VW - Sensor/actuator cable



1400601

<https://www.phoenixcontact.com/us/products/1400601>

## Classifications

### ECLASS

ECLASS-13.0	27060312
ECLASS-15.0	27060312

### UNSPSC

UNSPSC 21.0	31251501
-------------	----------

# SAC-3P-M12MS/1,5-PUR/B-1L-Z VW - Sensor/actuator cable



1400601

<https://www.phoenixcontact.com/us/products/1400601>

## Environmental product compliance

### EU RoHS

Fulfills EU RoHS substance requirements	Yes, No exemptions
---	--------------------

### China RoHS

Environment friendly use period (EFUP)	EFUP-50
	An article-related China RoHS declaration table can be found in the download area for the respective article under "Manufacturer declaration". For all articles with EFUP-E, no China RoHS declaration table issued and required.

### EU REACH SVHC

REACH candidate substance (CAS No.)	No substance above 0.1 wt%
-------------------------------------	----------------------------

Phoenix Contact 2026 © - all rights reserved

<https://www.phoenixcontact.com>

Phoenix Contact USA  
586 Fulling Mill Road  
Middletown, PA 17057, United States  
(+717) 944-1300  
[info@phoenixcon.com](mailto:info@phoenixcon.com)