

SAC-4P-M12Y/2XM12FS THFT - Sensor/actuator cable



1400575

<https://www.phoenixcontact.com/us/products/1400575>

Please be informed that the data shown in this PDF document is generated from our online catalog. Please find the complete data in the user documentation. Our general terms of use for downloads are valid.



Y distributor, 4-pos., straight M12 plug on 2 x straight M12 socket, wiring as per customer specifications

Commercial data

Item number	1400575
Packing unit	5 pc
Minimum order quantity	5 pc
Sales key	BF19
Product key	AF1GAB
GTIN	4046356508186
Weight per piece (including packing)	28.11 g
Weight per piece (excluding packing)	26.1 g
Customs tariff number	85366990
Country of origin	PL

SAC-4P-M12Y/2XM12FS THFT - Sensor/actuator cable



1400575

<https://www.phoenixcontact.com/us/products/1400575>

Technical data

Product properties

Product type	Y-distributor
Number of positions	4
No. of cable outlets	2
Coding	A

Insulation characteristics

Overvoltage category	II
Degree of pollution	3

Electrical properties

Insulation resistance	$\geq 100 \text{ M}\Omega$
Nominal current I_N	4 A

Signaling

Status display	no
Status display present	no

Material specifications

Flammability rating according to UL 94	HB
Seal material	NBR
Material of grip body	TPU, hardly inflammable, self-extinguishing
Contact material	CuZn
Contact surface material	Ni/Au
Contact carrier material	TPU GF
Material for screw connection	Zinc die-cast, nickel-plated

Connector

Connection 1

Type	Plug straight M12
Number of positions	4
Coding type	A

Connection 2

Type	Socket straight M12
Number of positions	4
Coding type	A

Mechanical properties

Mechanical data

Insertion/withdrawal cycles	≥ 100
-----------------------------	------------

SAC-4P-M12Y/2XM12FS THFT - Sensor/actuator cable



1400575

<https://www.phoenixcontact.com/us/products/1400575>

Environmental and real-life conditions

Ambient conditions

Degree of protection	IP65
	IP67
	IP68
Ambient temperature (operation)	-25 °C ... 90 °C (Plug / socket)

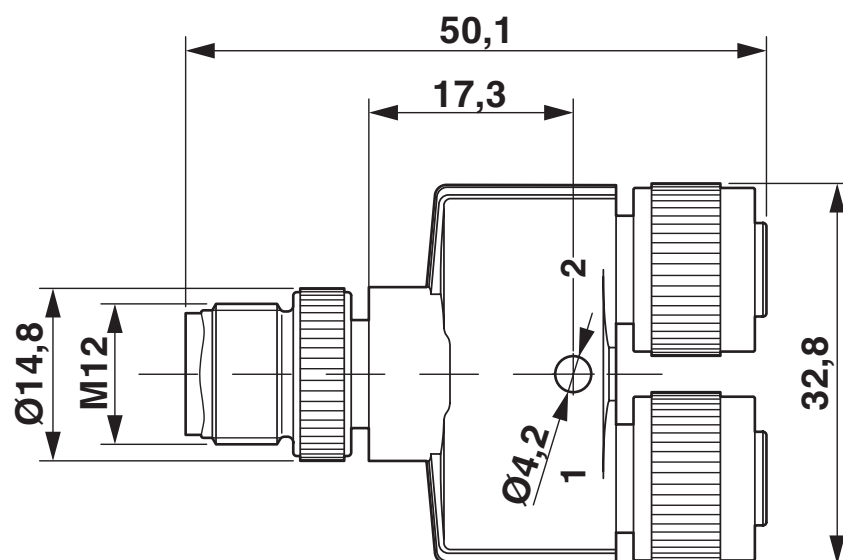
SAC-4P-M12Y/2XM12FS THFT - Sensor/actuator cable

1400575

<https://www.phoenixcontact.com/us/products/1400575>

Drawings

Dimensional drawing



M12 Y distributor

SAC-4P-M12Y/2XM12FS THFT - Sensor/actuator cable

1400575

<https://www.phoenixcontact.com/us/products/1400575>

Schematic diagram



Pin assignment M12 plug, 4-pos., A-coded, view plug side

SAC-4P-M12Y/2XM12FS THFT - Sensor/actuator cable

1400575

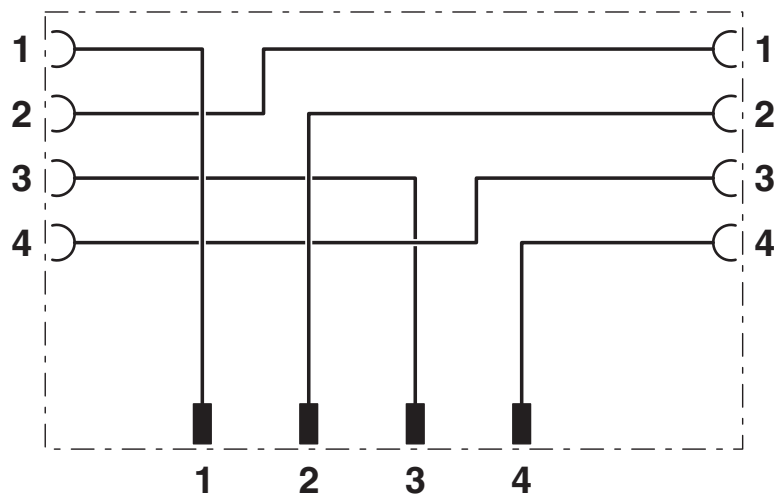
<https://www.phoenixcontact.com/us/products/1400575>

Schematic diagram



Pin assignment M12 socket, 4-pos., A-coded, view female side

Circuit diagram



SAC-4P-M12Y/2XM12FS THFT - Sensor/actuator cable



1400575

<https://www.phoenixcontact.com/us/products/1400575>

Classifications

ECLASS

ECLASS-13.0	27440106
ECLASS-15.0	27440106

ETIM

ETIM 10.0	EC002925
-----------	----------

UNSPSC

UNSPSC 21.0	31251500
-------------	----------

SAC-4P-M12Y/2XM12FS THFT - Sensor/actuator cable



1400575

<https://www.phoenixcontact.com/us/products/1400575>

Environmental product compliance

EU RoHS

Fulfills EU RoHS substance requirements	Yes, No exemptions
---	--------------------

China RoHS

Environment friendly use period (EFUP)	EFUP-E
	No hazardous substances above the limits

EU REACH SVHC

REACH candidate substance (CAS No.)	No substance above 0.1 wt%
-------------------------------------	----------------------------

Phoenix Contact 2026 © - all rights reserved
<https://www.phoenixcontact.com>

Phoenix Contact USA
586 Fulling Mill Road
Middletown, PA 17057, United States
(+717) 944-1300
info@phoenixcon.com