

SAC-4P- 5,0-500/M12FR-2L 0,15 - Sensor/actuator cable



1400500

<https://www.phoenixcontact.com/us/products/1400500>

Please be informed that the data shown in this PDF document is generated from our online catalog. Please find the complete data in the user documentation. Our general terms of use for downloads are valid.



Sensor/actuator cable, 4-position, PVC, gray RAL 7001, free cable end, on Socket angled M12, coding: A, with 2 LEDs, cable length: 5 m

as in the figure, but gray conductor

Commercial data

Item number	1400500
Packing unit	1 pc
Minimum order quantity	10 pc
Product key	AF1CCA
GTIN	4046356498692
Weight per piece (including packing)	216 g
Weight per piece (excluding packing)	208.2 g
Country of origin	PL

SAC-4P- 5,0-500/M12FR-2L 0,15 - Sensor/actuator cable



1400500

<https://www.phoenixcontact.com/us/products/1400500>

Technical data

Product properties

Product type	Sensor/actuator cable
Number of positions	4
No. of cable outlets	1
Shielded	no
Coding	A

Insulation characteristics

Overvoltage category	II
Degree of pollution	3

Material specifications

Flammability rating according to UL 94	HB
Seal material	NBR
Material of grip body	TPU, hardly inflammable, self-extinguishing
Contact material	CuSn
Contact surface material	Ni/Au
Contact carrier material	TPU GF
Material for screw connection	Zinc die-cast, nickel-plated

Electrical properties

Insulation resistance	$\geq 10 \text{ M}\Omega$
Nominal voltage U_N	24 V AC
	24 V DC
Nominal current I_N	4 A

Mechanical properties

Mechanical data

Insertion/withdrawal cycles	≥ 100
-----------------------------	------------

Signaling

Status display	2 LEDs
Status display present	yes

Connector

Connection 1

Type	free cable end
------	----------------

Connection 2

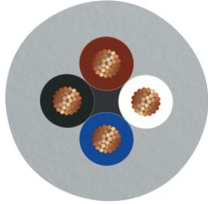
Type	Socket angled M12
Number of positions	4
Coding type	A

SAC-4P- 5,0-500/M12FR-2L 0,15 - Sensor/actuator cable

1400500

<https://www.phoenixcontact.com/us/products/1400500>

Cable/line

Cable length	5 m
PVC gray [500]	
Dimensional drawing	
Cable weight	40 kg/km
UL AWM Style	2464 / 1729 (80°C/300 V)
Number of positions	4
Shielded	no
Cable type	PVC gray [500]
Conductor structure signal line	19x 0.15 mm
AWG signal line	22
Conductor cross-section	4x 0.34 mm ² (Signal line)
Wire diameter incl. insulation	1.26 mm ±0.05 mm
External cable diameter	4.70 mm ±0.15 mm
Outer sheath, material	PVC
External sheath, color	gray RAL 7001
Conductor material	Bare Cu litz wires
Material wire insulation	PVC
Single wire, color	brown, white, blue, black
Thickness, insulation	≥ 0.23 mm (Core insulation)
Thickness, outer sheath	≥ 0.76 mm
Overall twist	4 wires, twisted
Max. conductor resistance	max. 57 Ω/km (at 20 °C)
Insulation resistance	≥ 200 MΩ*km (at 20 °C)
Nominal voltage, cable	≤ 300 V
Test voltage	≥ 3000 V
Minimum bending radius, fixed installation	5 x D
Minimum bending radius, flexible installation	10 x D
Smallest bending radius, fixed installation	24 mm
Smallest bending radius, movable installation	47 mm
Ambient temperature (operation)	-40 °C ... 80 °C (cable, fixed installation) -25 °C ... 80 °C (Cable, flexible installation)

Environmental and real-life conditions

Ambient conditions

SAC-4P- 5,0-500/M12FR-2L 0,15 - Sensor/actuator cable



1400500

<https://www.phoenixcontact.com/us/products/1400500>

Degree of protection	IP65
	IP67
	IP68
Ambient temperature (operation)	-25 °C ... 90 °C (Plug / socket)
	-40 °C ... 80 °C (cable, fixed installation)
	-5 °C ... 80 °C (Cable, flexible installation)

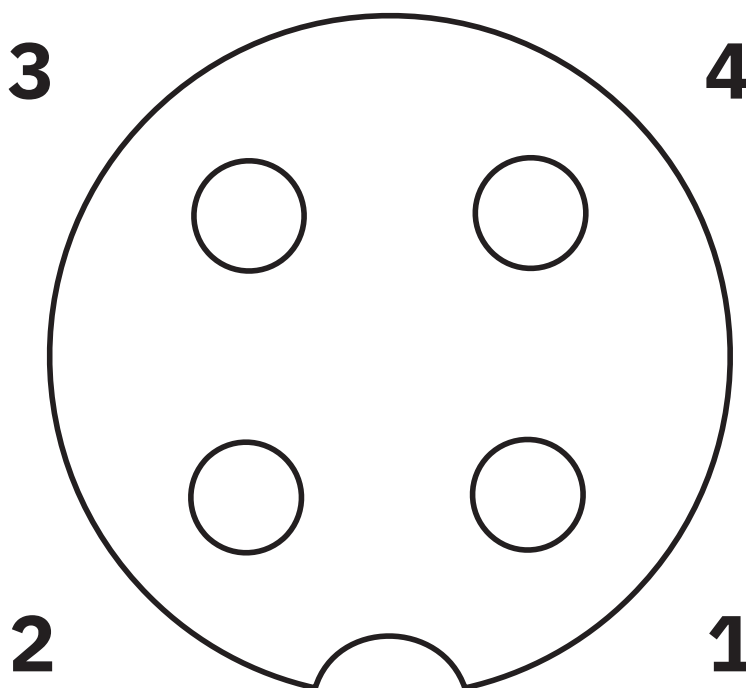
SAC-4P- 5,0-500/M12FR-2L 0,15 - Sensor/actuator cable

1400500

<https://www.phoenixcontact.com/us/products/1400500>

Drawings

Schematic diagram



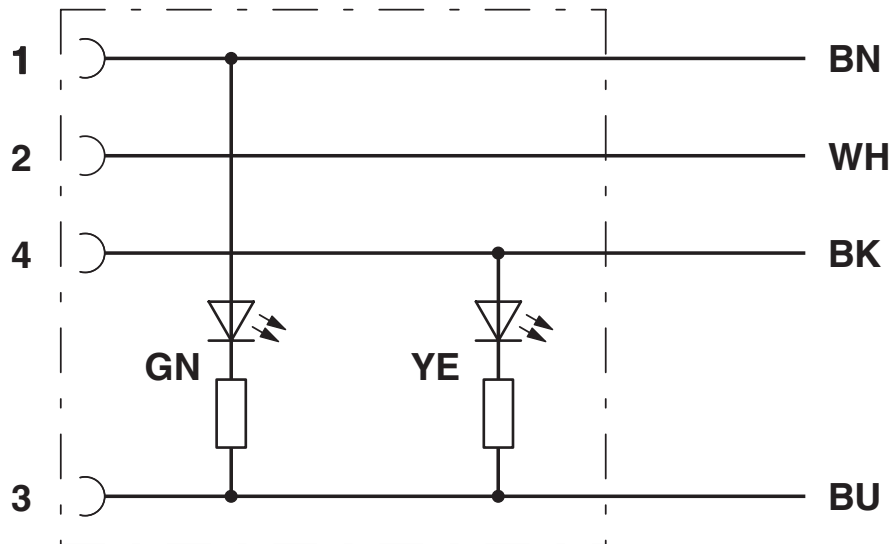
Pin assignment M12 socket, 4-pos., A-coded, view female side

SAC-4P- 5,0-500/M12FR-2L 0,15 - Sensor/actuator cable

1400500

<https://www.phoenixcontact.com/us/products/1400500>

Circuit diagram



Contact assignment of M12 sockets with LED

SAC-4P- 5,0-500/M12FR-2L 0,15 - Sensor/actuator cable



1400500

<https://www.phoenixcontact.com/us/products/1400500>

Classifications

ECLASS

ECLASS-13.0	27060311
ECLASS-15.0	27060311

UNSPSC

UNSPSC 21.0	31251501
-------------	----------

SAC-4P- 5,0-500/M12FR-2L 0,15 - Sensor/actuator cable



1400500

<https://www.phoenixcontact.com/us/products/1400500>

Environmental product compliance

EU RoHS

Fulfills EU RoHS substance requirements	Yes, No exemptions
---	--------------------

China RoHS

Environment friendly use period (EFUP)	EFUP-50
	An article-related China RoHS declaration table can be found in the download area for the respective article under "Manufacturer declaration". For all articles with EFUP-E, no China RoHS declaration table issued and required.

EU REACH SVHC

REACH candidate substance (CAS No.)	No substance above 0.1 wt%
-------------------------------------	----------------------------

Phoenix Contact 2026 © - all rights reserved

<https://www.phoenixcontact.com>

Phoenix Contact USA
586 Fulling Mill Road
Middletown, PA 17057, United States
(+717) 944-1300
info@phoenixcon.com