

# VS-ASI-FC-SEAL-HP - Seal

1400374

<https://www.phoenixcontact.com/us/products/1400374>

Please be informed that the data shown in this PDF document is generated from our online catalog. Please find the complete data in the user documentation. Our general terms of use for downloads are valid.



End sealing for AS-Interface flat-ribbon conductor, can be used on both sides, IP67 degree of protection:

## Commercial data

Item number	1400374
Packing unit	10 pc
Minimum order quantity	1 pc
Sales key	BF46
Product key	AF3ZAX
GTIN	4046356495080
Weight per piece (including packing)	8.23 g
Weight per piece (excluding packing)	8.23 g
Customs tariff number	85389099
Country of origin	PL

# VS-ASI-FC-SEAL-HP - Seal

1400374

<https://www.phoenixcontact.com/us/products/1400374>



## Technical data

### Product properties

Product type	Seal
--------------	------

### Dimensions

Dimensional drawing	
Width	22 mm
Depth	22 mm
Length	36 mm
Wrench size, union nut	19 mm
Wrench size, support	19 mm

### Material specifications

Material	PA
Seal material	NBR

### Environmental and real-life conditions

#### Ambient conditions

Degree of protection	IP67
Ambient temperature (operation)	-20 °C ... 70 °C

# VS-ASI-FC-SEAL-HP - Seal

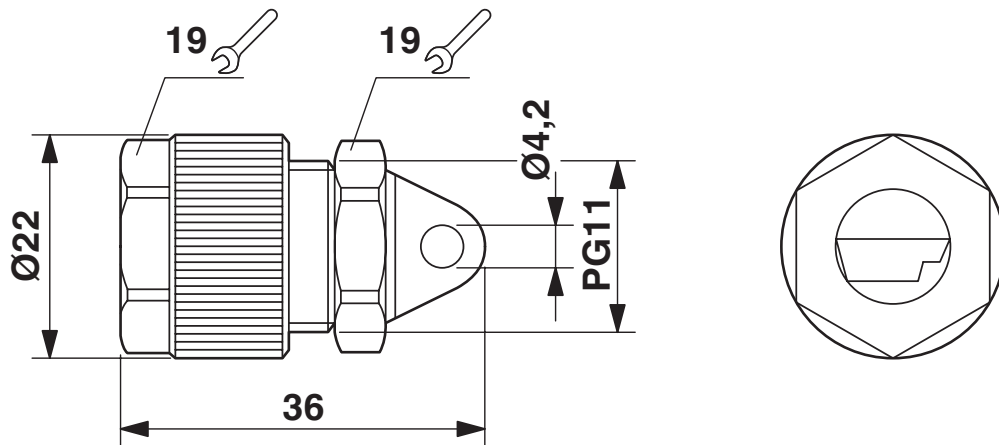
1400374

<https://www.phoenixcontact.com/us/products/1400374>



## Drawings

Dimensional drawing



# VS-ASI-FC-SEAL-HP - Seal



1400374

<https://www.phoenixcontact.com/us/products/1400374>

## Classifications

### ECLASS

ECLASS-13.0	27440192
ECLASS-15.0	27440192

### ETIM

ETIM 10.0	EC002943
-----------	----------

### UNSPSC

UNSPSC 21.0	39121400
-------------	----------

# VS-ASI-FC-SEAL-HP - Seal



1400374

<https://www.phoenixcontact.com/us/products/1400374>

## Environmental product compliance

### EU RoHS

Fulfills EU RoHS substance requirements	Yes, No exemptions
---	--------------------

### China RoHS

Environment friendly use period (EFUP)	EFUP-E
	No hazardous substances above the limits

### EU REACH SVHC

REACH candidate substance (CAS No.)	No substance above 0.1 wt%
-------------------------------------	----------------------------

Phoenix Contact 2026 © - all rights reserved  
<https://www.phoenixcontact.com>

Phoenix Contact USA  
586 Fulling Mill Road  
Middletown, PA 17057, United States  
(+717) 944-1300  
[info@phoenixcon.com](mailto:info@phoenixcon.com)