

PSR-ME30-4NO-1NC-24DC-SC - Safety relays



1397656

<https://www.phoenixcontact.com/us/products/1397656>

Please be informed that the data shown in this PDF document is generated from our online catalog. Please find the complete data in the user documentation. Our general terms of use for downloads are valid.



Safety relay as contact extension, 4 enabling current paths, 1 confirmation current path, together with basic device up to Cat. 3, PL d in accordance with EN ISO 13849, plug-in screw terminal block, width: 22.5 mm

Product description

The safety relay is used as a contact extension for safety relays for emergency stop, safety door, and light curtain monitoring and safely interrupts circuits. The enabling current paths drop without a delay.

Your advantages

- Up to Cat. 3/PL d in accordance with ISO 13849-1, SIL 2 in accordance with EN IEC 62061, SIL 2 in accordance with EN IEC 61508
- 4 undelayed enabling current paths, 1 signaling current path
- 1-channel control
- Reinforced insulation

Commercial data

Item number	1397656
Packing unit	1 pc
Minimum order quantity	1 pc
Sales key	DN01
Product key	DN1114
GTIN	4063151782450
Weight per piece (including packing)	167.9 g
Weight per piece (excluding packing)	147.9 g
Customs tariff number	85371098
Country of origin	DE

Technical data

Notes

Note on application

Note on application	Only for industrial use
---------------------	-------------------------

Product properties

Product type	Safety relays
Product family	PSRclassic
Application	Extension module
Set comprises	1397657 PSR-ME30-4NO-1NC-24DC-SC-SET35
Control	1-channel
Mechanical service life	approx. 10^7 cycles
Relay type	Electromechanical relay with force-guided contacts in accordance with IEC/EN 61810-3

Insulation characteristics

Overvoltage category	II, III (See the section "Insulation coordination")
Degree of pollution	2

Times

Typ. starting time with U_s	20 ms (when controlled via K1/K2)
Typical release time	20 ms (when requested via K1/K2)

Electrical properties

Maximum power dissipation for nominal condition	16.4 W ($U_{K1/K2} = 26.4$ V, $I_L^2 = 72$ A ² , $P_{Total\ max} = 2$ W + 14.4 W)
Nominal operating mode	100% operating factor
Rated insulation voltage	250 V
Rated surge voltage/insulation	See data sheet, section "Insulation coordination".

Input data

Digital: K1/K2

Description of the input	safety-related
Number of inputs	1
Input voltage range "1" signal	20.4 V ... 26.4 V
Inrush current	typ. 130 mA ($\Delta t = 800$ ms)
Max. permissible overall conductor resistance	50 Ω
Protective circuit	Suppressor diode
Current consumption	typ. 67 mA

Output data

Relay: Enabling current paths (13/14, 23/24, 33/34, 43/44)

Output description	2 N/O contacts each in series, safety-related, floating
--------------------	---------------------------------------------------------

PSR-ME30-4NO-1NC-24DC-SC - Safety relays



1397656

<https://www.phoenixcontact.com/us/products/1397656>

Number of outputs	4
Contact switching type	4 enabling current paths
Contact material	AgSnO ₂
Switching voltage	min. 10 V AC/DC max. 250 V AC/DC
Switching power	min. 100 mW
Inrush current	min. 10 mA max. 6 A
Switching capacity	5 A (AC15) 6 A (DC13)
Limiting continuous current	6 A (Observe derating and load limit curve)
Sq. Total current	72 A ² (observe derating)
Switching frequency	max. 0.5 Hz
Mechanical service life	10x 10 ⁶ cycles
Output fuse	10 A gL/gG 4 A gL/gG (for low-demand applications)

Relay: Confirmation current path (11/12)

Output description	Diagnostic contact, 2 NC in series, floating
Number of outputs	1
Contact switching type	2 N/C contacts in series
Contact material	AgSnO ₂
Switching voltage	min. 10 V AC/DC max. 250 V AC/DC
Switching power	min. 100 mW
Inrush current	min. 10 mA max. 6 A
Switching capacity	1 A (AC15) 1 A (DC13)
Limiting continuous current	1 A
Sq. Total current	1 A ²
Switching frequency	max. 0.5 Hz
Mechanical service life	10x 10 ⁶ cycles
Output fuse	1 A gL/gG

Connection data

Connection technology

pluggable	yes
-----------	-----

Conductor connection

Connection method	Screw connection
Conductor cross-section rigid	0.2 mm ² ... 2.5 mm ²
Conductor cross-section flexible	0.2 mm ² ... 2.5 mm ²
Conductor cross-section AWG	24 ... 12

PSR-ME30-4NO-1NC-24DC-SC - Safety relays



1397656

<https://www.phoenixcontact.com/us/products/1397656>

Stripping length	7 mm
Screw thread	M3
Tightening torque	0.5 Nm ... 0.6 Nm

Signaling

Operating voltage display	1 x LED (green)
---------------------------	-----------------

Dimensions

Width	22.5 mm
Height	112.2 mm
Depth	114.5 mm

Material specifications

Color (Housing)	traffic gray B (RAL 7043)
Housing material	PA

Characteristics

Safety data

Stop category (EN 60204-1)	0
----------------------------	---

Safety data: EN ISO 13849

Performance level (PL)	d (6 A DC13; 5 A AC15; 8760 switching cycles/year)
------------------------	----------------------------------------------------

Safety data: IEC 61508 - High demand

Safety Integrity Level (SIL)	2 (In conjunction with suitable evaluating device)
------------------------------	----------------------------------------------------

Safety data: IEC 61508 - Low demand

Safety Integrity Level (SIL)	2 (In conjunction with suitable evaluating device)
------------------------------	----------------------------------------------------

Safety data: EN IEC 62061

Safety Integrity Level (SIL)	2 (In conjunction with suitable evaluating device)
------------------------------	----------------------------------------------------

Environmental and real-life conditions

Ambient conditions

Degree of protection	IP20
Min. degree of protection of inst. location	IP54
Ambient temperature (operation)	-20 °C ... 55 °C (observe derating)
Ambient temperature (storage/transport)	-40 °C ... 70 °C
Maximum altitude	≤ 2000 m (Above sea level)
Max. permissible humidity (storage/transport)	75 % (on average, 85% infrequently, non-condensing)
Max. permissible relative humidity (operation)	75 % (on average, 85% infrequently, non-condensing)
Shock	15g
Vibration (operation)	10 Hz ... 150 Hz, 2g

Approvals

PSR-ME30-4NO-1NC-24DC-SC - Safety relays



1397656

<https://www.phoenixcontact.com/us/products/1397656>

CE

Identification	CE-compliant
----------------	--------------

Mounting

Mounting type	DIN rail mounting
Assembly note	See derating curve
Mounting position	vertical or horizontal

PSR-ME30-4NO-1NC-24DC-SC - Safety relays

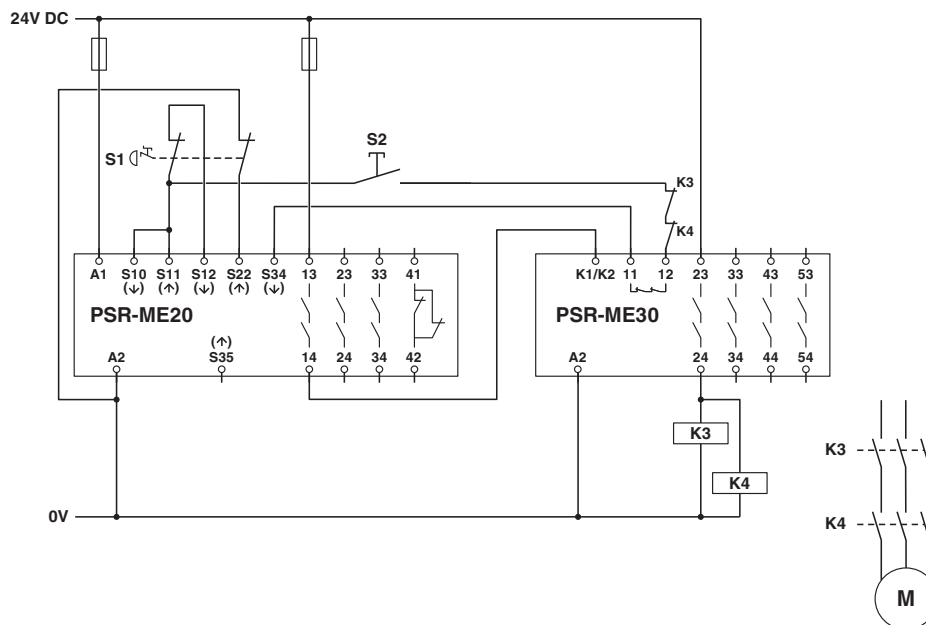


1397656

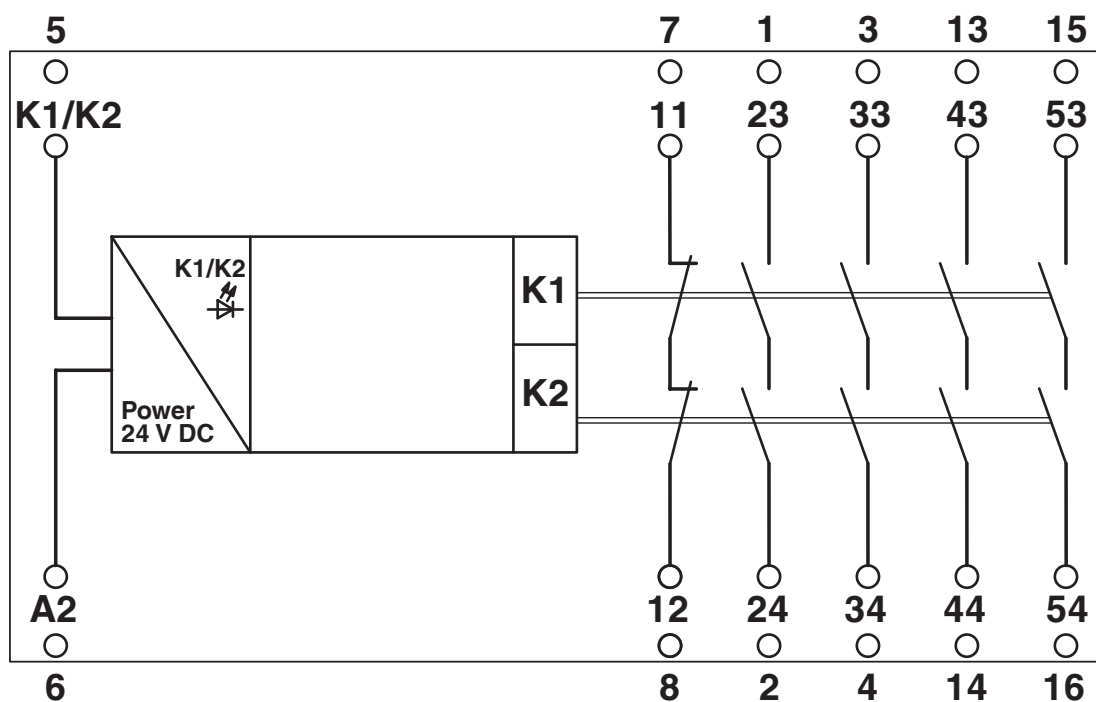
<https://www.phoenixcontact.com/us/products/1397656>

Drawings

Circuit diagram



Block diagram



PSR-ME30-4NO-1NC-24DC-SC - Safety relays



1397656

<https://www.phoenixcontact.com/us/products/1397656>

Approvals

To download certificates, visit the product detail page: <https://www.phoenixcontact.com/us/products/1397656>



cULus Listed

Approval ID: E140324



Functional Safety

Approval ID: 44-780-15124328



cULus Listed

Approval ID: E140324



Functional Safety

Approval ID: 44-780-15124328

PSR-ME30-4NO-1NC-24DC-SC - Safety relays



1397656

<https://www.phoenixcontact.com/us/products/1397656>

Classifications

ECLASS

ECLASS-13.0	27371819
ECLASS-15.0	27371819
ECLASS-15.0 ASSET	27250101

ETIM

ETIM 10.0	EC001449
-----------	----------

UNSPSC

UNSPSC 21.0	39122200
-------------	----------

1397656

<https://www.phoenixcontact.com/us/products/1397656>

Environmental product compliance

EU RoHS

Fulfills EU RoHS substance requirements	Yes
Exemption	7(a), 7(c)-I

China RoHS

Environment friendly use period (EFUP)	EFUP-50
	An article-related China RoHS declaration table can be found in the download area for the respective article under "Manufacturer declaration". For all articles with EFUP-E, no China RoHS declaration table issued and required.

EU REACH SVHC

REACH candidate substance (CAS No.)	Lead(CAS: 7439-92-1)
SCIP	9b579654-8de6-41dd-81bd-5789a00fab4b

Phoenix Contact 2026 © - all rights reserved

<https://www.phoenixcontact.com>

Phoenix Contact USA
586 Fulling Mill Road
Middletown, PA 17057, United States
(+717) 944-1300
info@phoenixcon.com