

PSR-ME40-4NO-2NC-24DC-SC - Safety relays



1397654

<https://www.phoenixcontact.com/us/products/1397654>

Please be informed that the data shown in this PDF document is generated from our online catalog. Please find the complete data in the user documentation. Our general terms of use for downloads are valid.



Safety relay as contact extension, dropout delay can be set from 0.5 s ... 36 s, 4 enabling current paths, 1 confirmation current path, together with basic device up to Cat. 3, PL d in accordance with EN ISO 13849, plug-in screw terminal block, width: 22.5 mm

Product description

The safety relay is used as a contact extension for safety relays for emergency stop, safety door, and light curtain monitoring and safely interrupts circuits. The enabling current paths drop with a delay of 0.5 s ... 30 s depending on the set time.

Your advantages

- Up to Cat. 3/PL d in accordance with ISO 13849-1, SIL 2 in accordance with EN IEC 62061, SIL 2 in accordance with EN IEC 61508
- 4 dropout-delayed enabling current paths, 1 signaling current path, and 1 confirmation current path
- 1-channel control
- Reinforced insulation

Commercial data

Item number	1397654
Packing unit	1 pc
Minimum order quantity	1 pc
Sales key	DN01
Product key	DN1113
GTIN	4063151783242
Weight per piece (including packing)	197.1 g
Weight per piece (excluding packing)	166.17 g
Customs tariff number	85371098
Country of origin	DE

PSR-ME40-4NO-2NC-24DC-SC - Safety relays



1397654

<https://www.phoenixcontact.com/us/products/1397654>

Technical data

Notes

Note on application

Note on application	Only for industrial use
---------------------	-------------------------

Product properties

Product type	Safety relays
Product family	PSRclassic
Application	Extension module
Set comprises	1397653 PSR-ME40-4NO-2NC-24DC-SC-SET35
Control	1-channel
Mechanical service life	approx. 10^7 cycles
Relay type	Electromechanical relay with force-guided contacts in accordance with IEC/EN 61810-3

Insulation characteristics

Overvoltage category	III
Degree of pollution	2

Times

Typical response time	typ. 40 ms (For U_S autostart)
Typical release time	50 ms (on demand via A1)
Delay time range	0.5 s ... 30 s ± 40 %
Restart time	< 1 s
Recovery time	Delay time +500 ms

Electrical properties

Maximum power dissipation for nominal condition	17 W ($U_S = 26.4$ V, $I_L^2 = 72$ A ² , $P_{Total\ max} = 2.6$ W + 14.4 W)
Nominal operating mode	100% operating factor
Rated insulation voltage	250 V
Rated surge voltage/insulation	See data sheet, section "Insulation coordination".

Supply

Designation	A1/A2
Rated control circuit supply voltage U_S	24 V DC -15 % / +10 %
Rated control supply current I_S	typ. 77 mA (at U_S)
Power consumption at U_S	typ. 1.85 W
Inrush current	< 2.5 A (typ. with U_S , $\Delta t = 1$ ms)
Filter time	5 ms (in the event of voltage dips at U_S)
Protective circuit	Suppressor diode

Input data

Digital: K1/K2

PSR-ME40-4NO-2NC-24DC-SC - Safety relays



1397654

<https://www.phoenixcontact.com/us/products/1397654>

Description of the input	safety-related
Number of inputs	1
Input voltage range "0" signal	0 V DC ... 5 V DC
Input voltage range "1" signal	20.4 V ... 26.4 V
Input current range "0" signal	0 mA ... 2 mA
Filter time	1 ms (Test pulse width of low test pulses)
	1 s (Test pulse rate for low test pulse)
	No brightness test pulses / high test pulses permitted.
Max. permissible overall conductor resistance	50 Ω
Protective circuit	Suppressor diode
Current consumption	typ. 14 mA

Output data

Relay: Enabling current paths (27/28, 37/38, 47/48, 57/58)

Output description	2 N/O contacts each in series, safety-related, floating
Number of outputs	4
Contact switching type	4 enabling current paths
Contact material	AgSnO ₂
Switching voltage	min. 10 V AC/DC
	max. 250 V AC/DC
Switching power	min. 100 mW
Inrush current	min. 10 mA
	max. 6 A
Switching capacity	5 A (AC15)
	6 A (DC13)
Limiting continuous current	6 A (Observe derating and load limit curve)
Sq. Total current	72 A ² (observe derating)
Switching frequency	max. 0.5 Hz
Mechanical service life	10x 10 ⁶ cycles
Output fuse	10 A gL/gG
	4 A gL/gG (for low-demand applications)

Relay: Confirmation current path (15/16)

Output description	Diagnostic contact, 2 NC in series, floating
Number of outputs	1
Contact switching type	2 N/C contacts in series
Contact material	AgSnO ₂
Switching voltage	min. 10 V AC/DC
	max. 250 V AC/DC
Switching power	min. 100 mW
Inrush current	min. 10 mA
	max. 1 A
Switching capacity	1 A (AC15)
	1 A (DC13)

PSR-ME40-4NO-2NC-24DC-SC - Safety relays



1397654

<https://www.phoenixcontact.com/us/products/1397654>

Limiting continuous current	1 A
Sq. Total current	1 A ²
Switching frequency	max. 0.5 Hz
Mechanical service life	10x 10 ⁶ cycles
Output fuse	1 A gL/gG

Relay: Signaling current path (65/66)

Output description	2 N/C contacts parallel, non-safety-related, floating
Number of outputs	1
Contact material	AgSnO ₂
Switching voltage	min. 10 V AC/DC max. 250 V AC/DC
Switching power	min. 100 mW
Inrush current	max. 1 A
Switching capacity	1 A (AC15) 1 A (DC13)
Limiting continuous current	1 A (observe derating)
Sq. Total current	1 A ² (observe derating)
Switching frequency	max. 0.5 Hz
Output fuse	1 A (gL/gG)

Connection data

Connection technology

pluggable	yes
-----------	-----

Conductor connection

Connection method	Screw connection
Conductor cross-section rigid	0.2 mm ² ... 2.5 mm ²
Conductor cross-section flexible	0.2 mm ² ... 2.5 mm ²
Conductor cross-section AWG	24 ... 12
Stripping length	7 mm
Screw thread	M3
Tightening torque	0.5 Nm ... 0.6 Nm

Signaling

Status display	2 x LED (green)
Operating voltage display	1 x LED (green)

Dimensions

Width	22.5 mm
Height	112.2 mm
Depth	114.5 mm

Material specifications

Color (Housing)	traffic gray B (RAL 7043)
-----------------	---------------------------

PSR-ME40-4NO-2NC-24DC-SC - Safety relays



1397654

<https://www.phoenixcontact.com/us/products/1397654>

Housing material	PA
------------------	----

Characteristics

Safety data

Stop category (EN 60204-1)	1
----------------------------	---

Safety data: EN ISO 13849

Performance level (PL)	d
------------------------	---

Safety data: IEC 61508 - High demand

Safety Integrity Level (SIL)	2
------------------------------	---

Safety data: IEC 61508 - Low demand

Safety Integrity Level (SIL)	2
------------------------------	---

Safety data: EN IEC 62061

Safety Integrity Level (SIL)	2
------------------------------	---

Environmental and real-life conditions

Ambient conditions

Degree of protection	IP20
Min. degree of protection of inst. location	IP54
Ambient temperature (operation)	-20 °C ... 55 °C (observe derating)
Ambient temperature (storage/transport)	-40 °C ... 70 °C
Maximum altitude	≤ 2000 m (Above sea level)
Max. permissible humidity (storage/transport)	75 % (on average, 85% infrequently, non-condensing)
Max. permissible relative humidity (operation)	75 % (on average, 85% infrequently, non-condensing)
Shock	15g
Vibration (operation)	10 Hz ... 150 Hz, amplitude 0.15 mm, 2g

Approvals

CE

Identification	CE-compliant
----------------	--------------

Mounting

Mounting type	DIN rail mounting
Assembly note	See derating curve
Mounting position	vertical or horizontal

PSR-ME40-4NO-2NC-24DC-SC - Safety relays

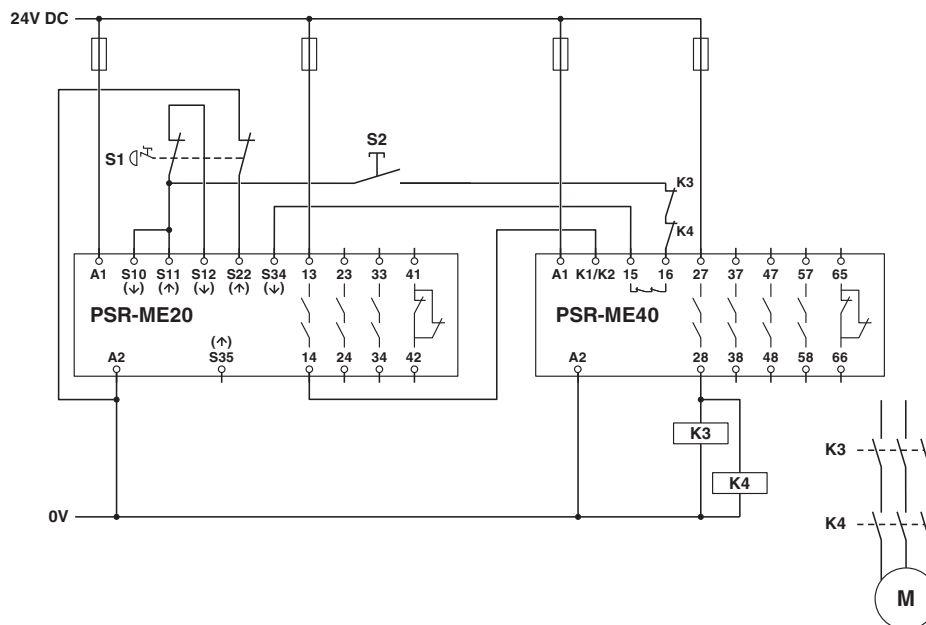


1397654

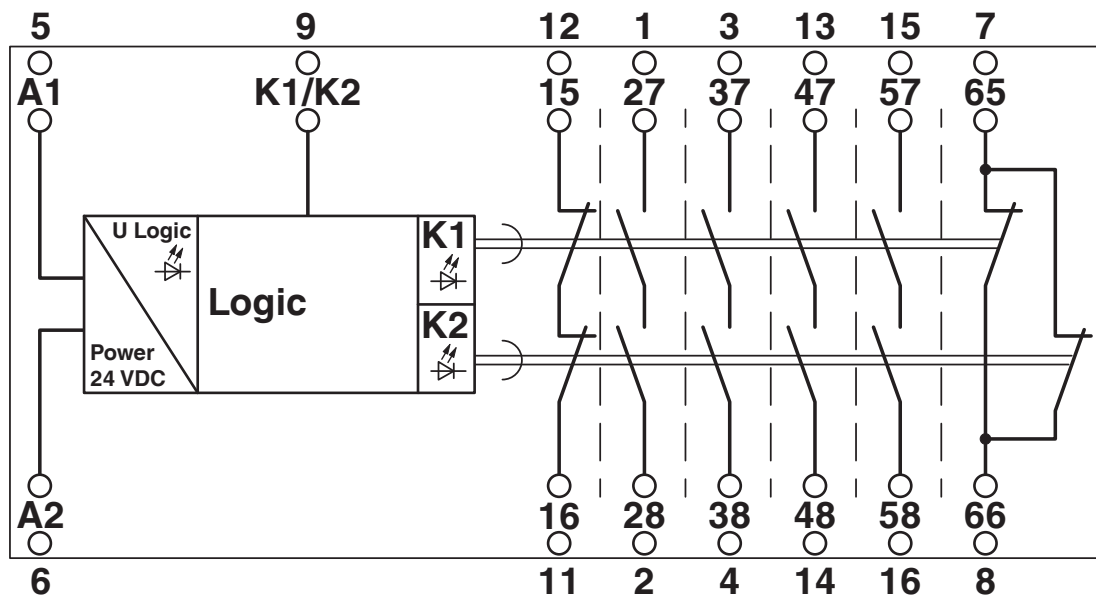
<https://www.phoenixcontact.com/us/products/1397654>

Drawings

Circuit diagram



Block diagram



PSR-ME40-4NO-2NC-24DC-SC - Safety relays



1397654

<https://www.phoenixcontact.com/us/products/1397654>

Approvals

To download certificates, visit the product detail page: <https://www.phoenixcontact.com/us/products/1397654>



cULus Listed

Approval ID: E140324



Functional Safety

Approval ID: 4478015124329



Functional Safety

Approval ID: 4478015124329



cULus Listed

Approval ID: E140324

PSR-ME40-4NO-2NC-24DC-SC - Safety relays



1397654

<https://www.phoenixcontact.com/us/products/1397654>

Classifications

ECLASS

ECLASS-13.0	27371819
ECLASS-15.0	27371819
ECLASS-15.0 ASSET	27250101

ETIM

ETIM 10.0	EC001449
-----------	----------

PSR-ME40-4NO-2NC-24DC-SC - Safety relays



1397654

<https://www.phoenixcontact.com/us/products/1397654>

Environmental product compliance

EU RoHS

Fulfills EU RoHS substance requirements	Yes
Exemption	34, 7(a), 7(c)-I

China RoHS

Environment friendly use period (EFUP)	EFUP-50
	An article-related China RoHS declaration table can be found in the download area for the respective article under "Manufacturer declaration". For all articles with EFUP-E, no China RoHS declaration table issued and required.

EU REACH SVHC

REACH candidate substance (CAS No.)	Lead(CAS: 7439-92-1)
SCIP	967e1333-38e4-463d-884b-216d56534510

EF3.1 Climate Change

CO2e kg	2.102 kg CO2e
---------	---------------

Phoenix Contact 2026 © - all rights reserved
<https://www.phoenixcontact.com>

Phoenix Contact USA
586 Fulling Mill Road
Middletown, PA 17057, United States
(+717) 944-1300
info@phoenixcon.com