

ANT-OMNI-0671-01 - Antenna

1396316

<https://www.phoenixcontact.com/us/products/1396316>

Please be informed that the data shown in this PDF document is generated from our online catalog. Please find the complete data in the user documentation. Our general terms of use for downloads are valid.

Multiband omnidirectional antenna for wall or mast mounting, 0.6 GHz ... 7.1 GHz, gain: 1 dBi ... 3 dBi, degree of protection: IP67, seawater-resistant, connection: N (female), incl. mounting bracket and mast clamps



Your advantages

- Ideally suited for freely mobile or stationary applications in 2G/3G/4G/5G cellular networks
- Universal use with the wide frequency range
- Resistant to salt water
- Future-proof, thanks to the use of lead-free materials

Commercial data

Item number	1396316
Packing unit	1 pc
Minimum order quantity	1 pc
Sales key	DN23
Product key	DNC6A2
GTIN	4063151780616
Weight per piece (including packing)	206 g
Weight per piece (excluding packing)	141 g
Customs tariff number	85177100
Country of origin	TW

ANT-OMNI-0671-01 - Antenna



1396316

<https://www.phoenixcontact.com/us/products/1396316>

Technical data

Notes

Note on application

Note on application	Only for industrial use
---------------------	-------------------------

Product properties

Product type	Antenna
Scope of supply	included mounting bracket and mast clamps
Radiation characteristics	Omnidirectional
Gain	2 dBi (617 MHz ... 960 MHz)
	1 dBi (1.4 GHz ... 1.6 GHz)
	2 dBi (1.7 GHz ... 2.7 GHz)
	3 dBi (3.3 GHz ... 7.1 GHz)
Vertical beamwidth	70 ° (617 MHz ... 960 MHz)
	60 ° (1.4 GHz ... 2.7 GHz)
	45 ° (3.3 GHz ... 5.9 GHz)
	30 ° 6.0 GHz ... 7.1 GHz
Horizontal beamwidth	360 °
Polarization	Linear vertical

Electrical properties

Frequency band	2400 MHz
	868 MHz
	700 MHz
	800 MHz
	850 MHz
	900 MHz
	1700 MHz
	1800 MHz
	1900 MHz
	2100 MHz
	2600 MHz
	3600 MHz
	5 GHz
Frequency range	0.6 GHz ... 7.1 GHz
Impedance	50 Ω
Maximum capacity	1.00 W
Voltage standing wave ratio VSWR in a 50 Ω system	≤ 3.50

Connection data

Connection technology

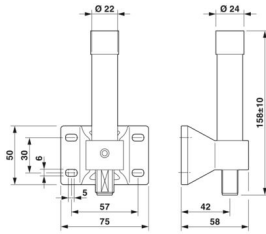
ANT-OMNI-0671-01 - Antenna

1396316

<https://www.phoenixcontact.com/us/products/1396316>

Connection method	N (female)
Outside diameter	30 mm ... 45 mm (Mast)

Dimensions

Dimensional drawing	
Height	158 mm
Diameter	24 mm
Hole diameter	6 mm

External dimensions

Outside diameter	30 mm ... 45 mm (Mast)
------------------	------------------------

Material specifications

Color	gray (RAL 7042)
Material (Radom)	Plastic (glass-fiber reinforced)
Material (Holder)	Plastic (glass-fiber reinforced)
Material (U-bolt)	Stainless steel V2A
Flammability rating according to UL 94	V0

Cable/line

Other resistance	salt water resistant
------------------	----------------------

Environmental and real-life conditions

Ambient conditions

Degree of protection	IP67
Ambient temperature (operation)	-30 °C ... 70 °C
Ambient temperature (storage/transport)	-40 °C ... 85 °C
Wind velocity	220 km/h

Standards and regulations

Other resistance	salt water resistant
------------------	----------------------

Mounting

Mounting type	Panel mounting
	Mast mounting
Assembly note	Outdoors and indoors

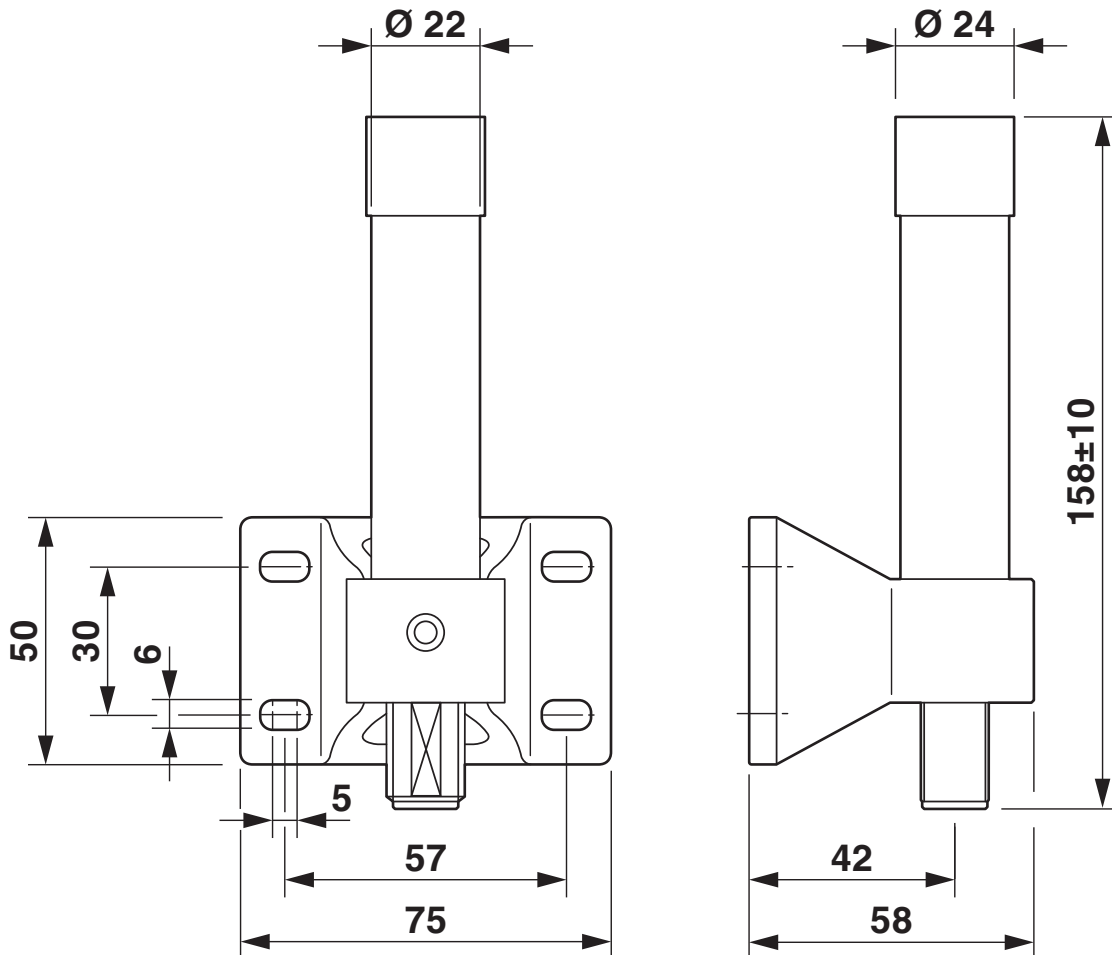
ANT-OMNI-0671-01 - Antenna

1396316

<https://www.phoenixcontact.com/us/products/1396316>

Drawings

Dimensional drawing



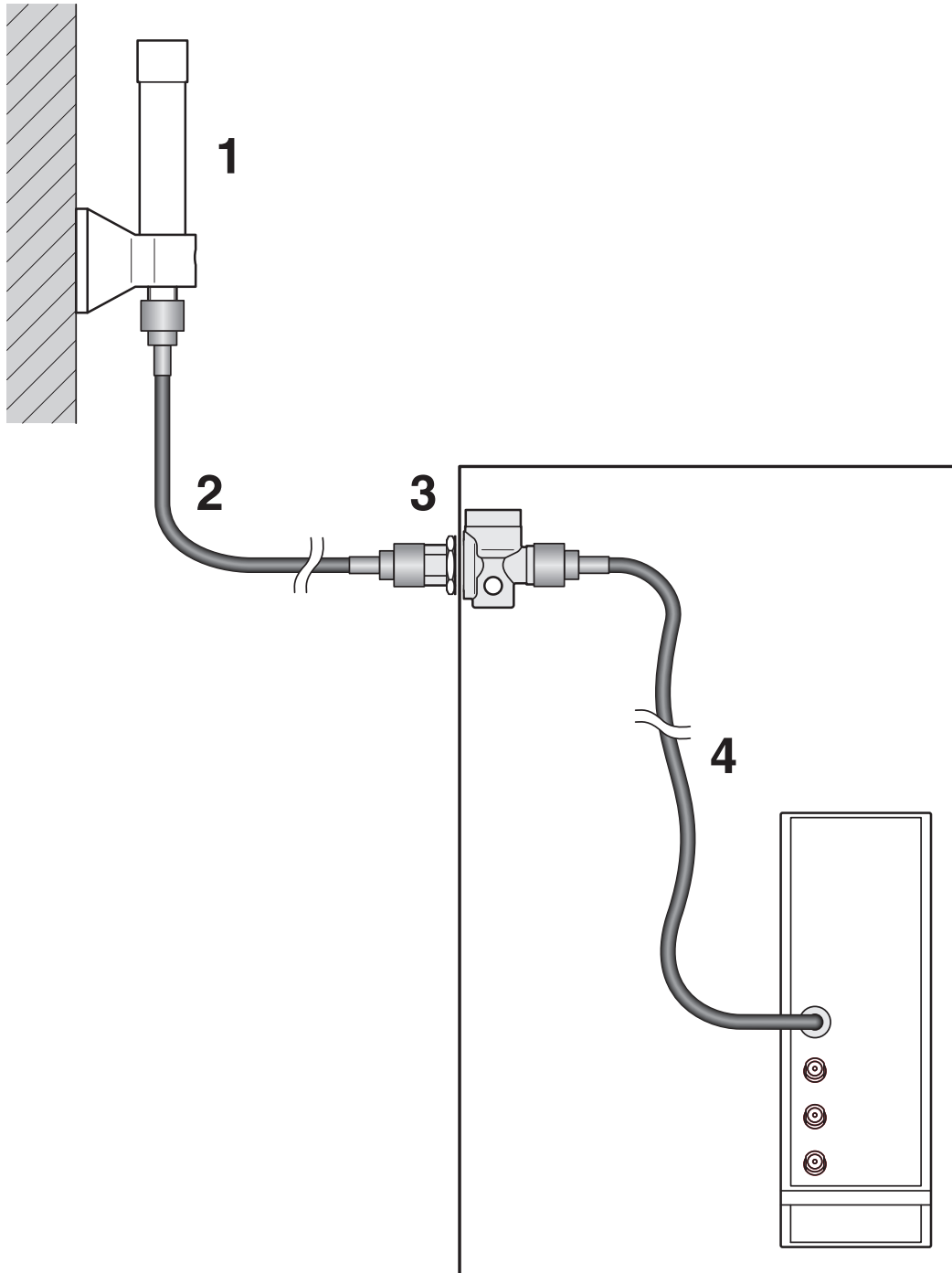
Dimensional drawing

ANT-OMNI-0671-01 - Antenna

1396316

<https://www.phoenixcontact.com/us/products/1396316>

Schematic diagram



Installation example (antenna cable and surge protection available as accessories)

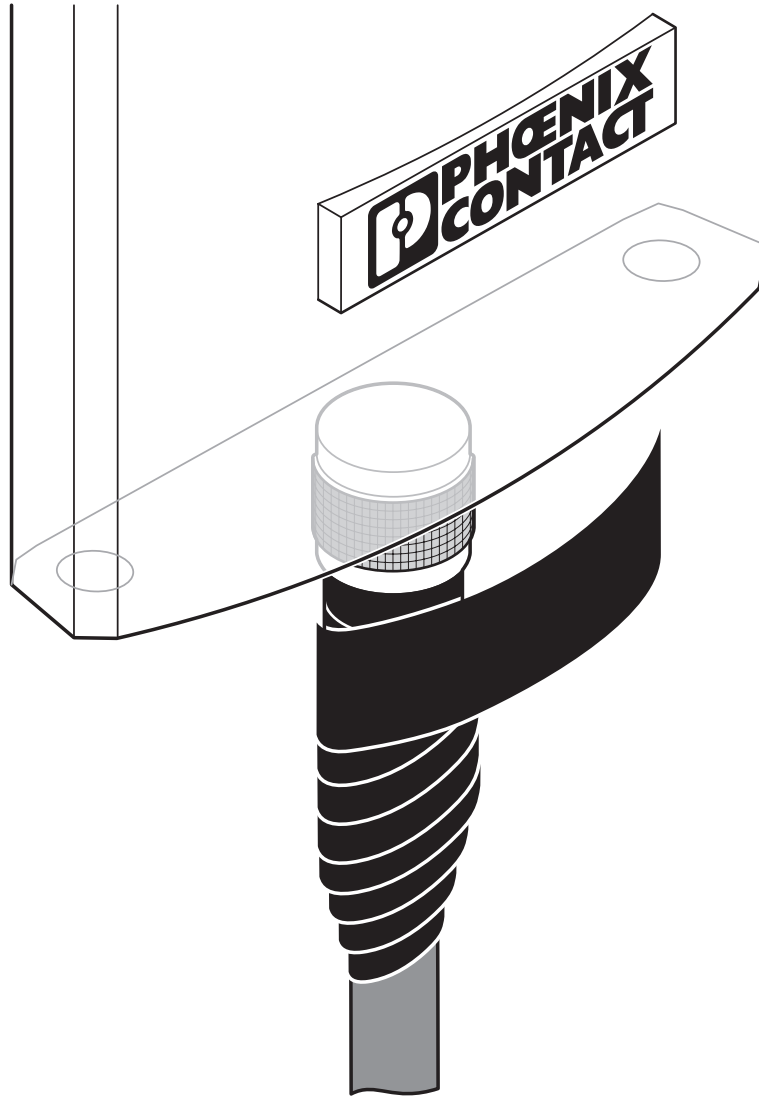
ANT-OMNI-0671-01 - Antenna

1396316

<https://www.phoenixcontact.com/us/products/1396316>

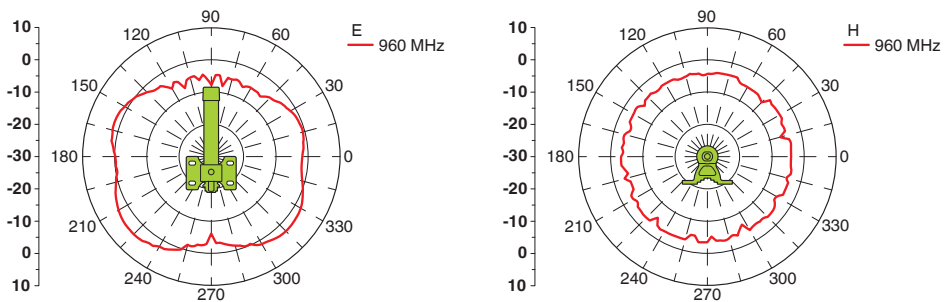


Schematic diagram



Sealing tape available as an accessory

Diagram



960 MHz directional characteristics

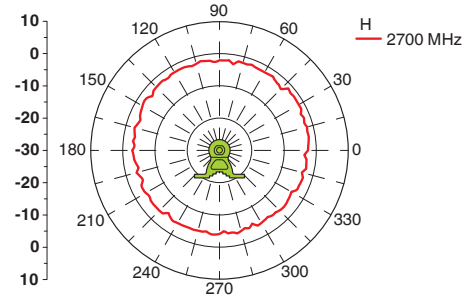
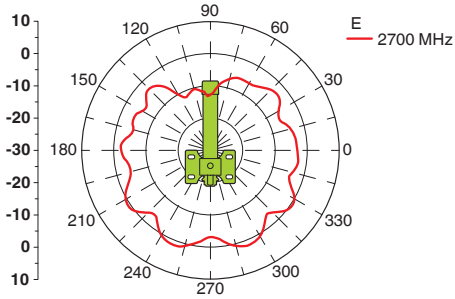
ANT-OMNI-0671-01 - Antenna



1396316

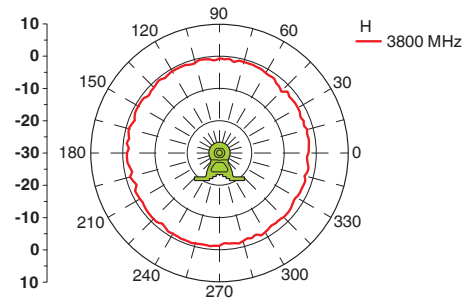
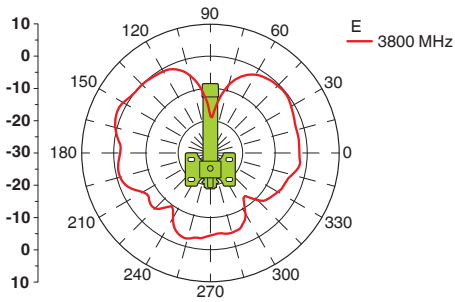
<https://www.phoenixcontact.com/us/products/1396316>

Diagram



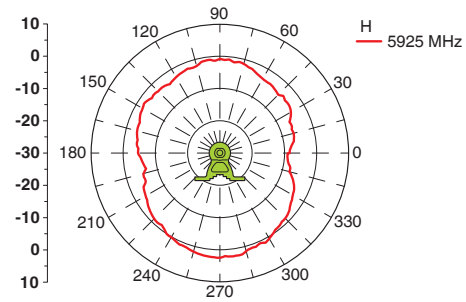
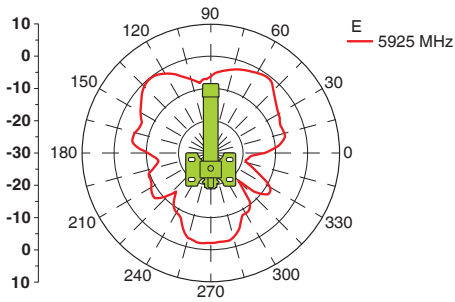
2700 MHz directional characteristics

Diagram



3800 MHz directional characteristics

Diagram



5925 MHz directional characteristics

ANT-OMNI-0671-01 - Antenna



1396316

<https://www.phoenixcontact.com/us/products/1396316>

Classifications

ECLASS

ECLASS-13.0	19070105
ECLASS-15.0	19070105

ETIM

ETIM 10.0	EC001698
-----------	----------

UNSPSC

UNSPSC 21.0	43223100
-------------	----------

1396316

<https://www.phoenixcontact.com/us/products/1396316>

Environmental product compliance

EU RoHS

Fulfills EU RoHS substance requirements	Yes, No exemptions
---	--------------------

China RoHS

Environment friendly use period (EFUP)	EFUP-E
	No hazardous substances above the limits

EU REACH SVHC

REACH candidate substance (CAS No.)	No substance above 0.1 wt%
-------------------------------------	----------------------------

EF3.1 Climate Change

CO2e kg	6.047 kg CO2e
---------	---------------

Phoenix Contact 2026 © - all rights reserved
<https://www.phoenixcontact.com>

Phoenix Contact USA
586 Fulling Mill Road
Middletown, PA 17057, United States
(+717) 944-1300
info@phoenixcon.com