

SAC-4P-P12MS/ 1,5-PUR - Sensor/actuator cable



1392638

<https://www.phoenixcontact.com/us/products/1392638>

Please be informed that the data shown in this PDF document is generated from our online catalog. Please find the complete data in the user documentation. Our general terms of use for downloads are valid.



Sensor/actuator cable, 4-position, PUR halogen-free, black-gray RAL 7021, Plug straight M12 Push Pull, coding: A, on free cable end, cable length: 1.5 m

Your advantages

- Easy and safe: 100 % electrically tested plug-in components
- Save time, thanks to installation with push-pull fast locking

Commercial data

| | |
|--------------------------------------|---------------|
| Item number | 1392638 |
| Packing unit | 1 pc |
| Minimum order quantity | 1 pc |
| Sales key | BF06 |
| Product key | AF1CCC |
| GTIN | 4063151818210 |
| Weight per piece (including packing) | 51.74 g |
| Weight per piece (excluding packing) | 49.875 g |
| Customs tariff number | 85444290 |
| Country of origin | PL |

Technical data

Product properties

| | |
|----------------------|-----------------------|
| Product type | Sensor/actuator cable |
| Application | Standard |
| Number of positions | 4 |
| No. of cable outlets | 1 |
| Shielded | no |
| Coding | A |

Insulation characteristics

| | |
|----------------------|----|
| Overvoltage category | II |
| Degree of pollution | 3 |

Material specifications

| | |
|--|---|
| Material | PK (Pin contact carrier) |
| Flammability rating according to UL 94 | V0 |
| Seal material | FKM |
| Material of grip body | TPU, hardly inflammable, self-extinguishing |
| Contact material | CuSn |
| Contact surface material | Ni/Au |
| Material for screw connection | Brass, nickel-plated |

Electrical properties

| | |
|-----------------------|----------------------------|
| Insulation resistance | $\geq 100 \text{ M}\Omega$ |
| Nominal voltage U_N | 250 V AC |
| | 250 V DC |
| Nominal current I_N | 4 A |

Mechanical properties

Mechanical data

| | |
|-----------------------------|------------|
| Insertion/withdrawal cycles | ≥ 100 |
|-----------------------------|------------|

Signaling

| | |
|------------------------|----|
| Status display | no |
| Status display present | no |

Connection data

Conductor connection

| | |
|-------------------|--------------------------|
| Tightening torque | M12 push-pull connectors |
|-------------------|--------------------------|

Connector

Connection 1

SAC-4P-P12MS/ 1,5-PUR - Sensor/actuator cable



1392638

<https://www.phoenixcontact.com/us/products/1392638>

| | |
|---------------------|-----------------------------|
| Type | Plug straight M12 Push Pull |
| Number of positions | 4 |
| Locking type | Push Pull |
| Coding type | A |

Connection 2

| | |
|------|----------------|
| Type | free cable end |
|------|----------------|

Cable/line

| | |
|--------------|-------|
| Cable length | 1.5 m |
|--------------|-------|

PUR halogen-free black [PUR]

| | |
|---|---|
| Dimensional drawing |  |
| Cable weight | 30 kg/km |
| UL AWM Style | 20549 / 10493 (80°C/300 V) |
| Number of positions | 4 |
| Shielded | no |
| Cable type | PUR halogen-free black [PUR] |
| Conductor structure signal line | 42x 0.10 mm |
| AWG signal line | 22 |
| Conductor cross-section | 4x 0.34 mm ² (Signal line) |
| Wire diameter incl. insulation | 1.27 mm ±0.02 mm |
| External cable diameter | 4.20 mm ±0.15 mm |
| Outer sheath, material | PUR |
| External sheath, color | black-gray RAL 7021 |
| Conductor material | Bare Cu litz wires |
| Material wire insulation | PP |
| Single wire, color | brown, white, blue, black |
| Thickness, insulation | ≥ 0.21 mm |
| Thickness, outer sheath | approx. 0.50 mm |
| Overall twist | 4 wires, twisted |
| Max. conductor resistance | ≤ 58 Ω/km |
| Insulation resistance | ≥ 1 GΩ*km |
| Nominal voltage, cable | ≤ 300 V |
| Test voltage | ≥ 3000 V |
| Minimum bending radius, fixed installation | 5 x D |
| Minimum bending radius, flexible installation | 10 x D |
| Smallest bending radius, fixed installation | 21 mm |

SAC-4P-P12MS/ 1,5-PUR - Sensor/actuator cable



1392638

<https://www.phoenixcontact.com/us/products/1392638>

| | |
|---|--|
| Smallest bending radius, movable installation | 42 mm |
| Dynamic load capacity (bending) | Max. bending cycles: 10000000, Bending radius: 42 mm, Bending radius: 10 x D, Traversing path: 10 m, Traversing rate: 3 m/s, Acceleration: 10 m/s ² |
| Dynamic load capacity (torsion) | Torsion: ±180 °/m, Torsion cycles: ≥5000000, Torsional frequency: 35 cycles/min. |
| Halogen-free | in accordance with DIN VDE 0472 part 815 |
| | in accordance with DIN EN 50267-2-1 |
| Flame resistance | in accordance with UL 758/1581 FT2 |
| | DIN EN 60332-2-2 (20 s) |
| Resistance to oil | in accordance with DIN EN 60811-2-1 |
| Other resistance | Highly resistant to acids, alkaline solutions and solvents |
| | hydrolysis and microbe resistant |
| | partly UV-resistant (in accordance with DIN EN ISO 4892-2-A) |
| | Low adhesion |
| Special properties | abrasion-resistant |
| | Flexible cable conduit capable |
| | Silicone-free |
| Ambient temperature (operation) | Free of substances which would hinder coating with paint or varnish |
| | flexible |
| Ambient temperature (operation) | -40 °C ... 80 °C (cable, fixed installation) |
| | -25 °C ... 80 °C (Cable, flexible installation) |

Environmental and real-life conditions

Ambient conditions

| | |
|---|----------------------------------|
| Degree of protection | IP65 |
| | IP67 |
| Ambient temperature (operation) (male connector/female connector) | -25 °C ... 85 °C (Plug / socket) |

Standards and regulations

| | |
|--------------------------|-----------------|
| Standard designation | M12-Push-Pull |
| Standards/specifications | IEC 61076-2-010 |

SAC-4P-P12MS/ 1,5-PUR - Sensor/actuator cable

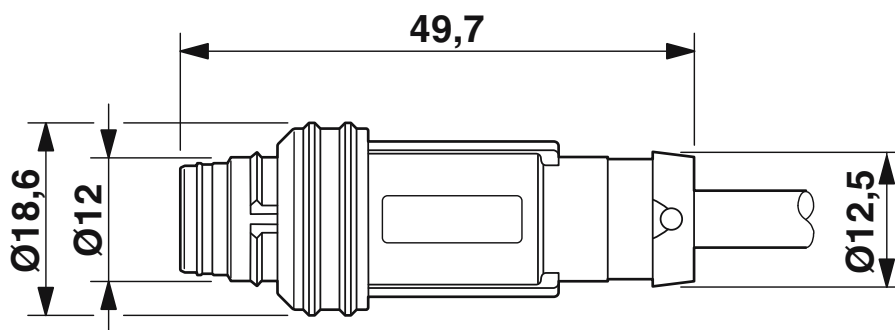


1392638

<https://www.phoenixcontact.com/us/products/1392638>

Drawings

Dimensional drawing



M12 push-pull male connector, straight

SAC-4P-P12MS/ 1,5-PUR - Sensor/actuator cable



1392638

<https://www.phoenixcontact.com/us/products/1392638>

Schematic diagram



Pin assignment M12 male connector

Circuit diagram



Contact assignment of the M12 plug

SAC-4P-P12MS/ 1,5-PUR - Sensor/actuator cable



1392638

<https://www.phoenixcontact.com/us/products/1392638>

Approvals

To download certificates, visit the product detail page: <https://www.phoenixcontact.com/us/products/1392638>

|  cULus Listed Approval ID: E221474 | | | | |
|---|-----------------------|-----------------------|-------------------|-----------------------------|
| | Nominal voltage U_N | Nominal current I_N | Cross section AWG | Cross section mm^2 |
| keine | | | | |
| | 300 V | 4 A | - 22 | - |

SAC-4P-P12MS/ 1,5-PUR - Sensor/actuator cable



1392638

<https://www.phoenixcontact.com/us/products/1392638>

Classifications

ECLASS

| | |
|-------------|----------|
| ECLASS-13.0 | 27060311 |
| ECLASS-15.0 | 27060311 |

ETIM

| | |
|-----------|----------|
| ETIM 10.0 | EC001855 |
|-----------|----------|

UNSPSC

| | |
|-------------|----------|
| UNSPSC 21.0 | 26121600 |
|-------------|----------|

SAC-4P-P12MS/ 1,5-PUR - Sensor/actuator cable



1392638

<https://www.phoenixcontact.com/us/products/1392638>

Environmental product compliance

EU RoHS

| | |
|---|--------------------|
| Fulfills EU RoHS substance requirements | Yes, No exemptions |
|---|--------------------|

China RoHS

| | |
|--|--|
| Environment friendly use period (EFUP) | EFUP-E |
| | No hazardous substances above the limits |

EU REACH SVHC

| | |
|-------------------------------------|----------------------------|
| REACH candidate substance (CAS No.) | No substance above 0.1 wt% |
|-------------------------------------|----------------------------|

Phoenix Contact 2026 © - all rights reserved
<https://www.phoenixcontact.com>

Phoenix Contact USA
586 Fulling Mill Road
Middletown, PA 17057, United States
(+717) 944-1300
info@phoenixcon.com