

# DD21H 0,85/ 6-PT-2,5-Y - Feed-through plug



1378113

<https://www.phoenixcontact.com/us/products/1378113>

Please be informed that the data shown in this PDF document is generated from our online catalog. Please find the complete data in the user documentation. Our general terms of use for downloads are valid.



CRIMP



BOX



Feed-through connector, color: black, nominal current: 5 A, rated voltage (III/2): 160 V, contact surface: Sn, contact connection type: Pin, number of rows: 2, number of positions: 6, product range: DD21H 0,85/..-PT, pitch: 2.5 mm, connection method: Crimp connection, conductor/PCB connection direction: 0 °, locking clip: - without locking clip, plug-in system: CONNEXIS DD, Pin connector pattern alignment: Standard, locking: Snap-in locking, mounting method: Engagement nose, type of packaging: packed in cardboard

## Your advantages

- Cost-effective connection of crimped conductors in large quantities
- Small component size for applications where space is at a premium
- Intuitive locking mechanism prevents accidental disconnection
- Tools for automatic crimping available as an option

## Commercial data

|                                      |                                |
|--------------------------------------|--------------------------------|
| Item number                          | 1378113                        |
| Packing unit                         | 50 pc                          |
| Minimum order quantity               | 50 pc                          |
| Note                                 | Made to order (non-returnable) |
| Sales key                            | AA01                           |
| Product key                          | AAACXG                         |
| GTIN                                 | 4063151745806                  |
| Weight per piece (including packing) | 3.59 g                         |
| Weight per piece (excluding packing) | 3.59 g                         |
| Customs tariff number                | 85366990                       |
| Country of origin                    | CN                             |

# DD21H 0,85/ 6-PT-2,5-Y - Feed-through plug



1378113

<https://www.phoenixcontact.com/us/products/1378113>

## Technical data

### Product properties

|                     |                        |
|---------------------|------------------------|
| Product type        | Feed-through connector |
| Product family      | DD21H 0,85/..-PT       |
| Product line        | CONNEXIS Connectors XS |
| Number of positions | 6                      |
| Pitch               | 2.5 mm                 |
| Number of rows      | 2                      |

### Electrical properties

#### Properties

|                             |                |
|-----------------------------|----------------|
| Nominal current $I_N$       | 5 A            |
| Nominal voltage $U_N$       | 160 V          |
| Contact resistance          | 2.6 m $\Omega$ |
| Rated voltage (III/3)       | 40 V           |
| Rated surge voltage (III/3) | 2.5 kV         |
| Rated voltage (III/2)       | 160 V          |
| Rated surge voltage (III/2) | 2.5 kV         |
| Rated voltage (II/2)        | 200 V          |
| Rated surge voltage (II/2)  | 2.5 kV         |

### Connection data

#### Interlock

|               |                 |
|---------------|-----------------|
| Locking type  | Snap-in locking |
| Mounting type | Engagement nose |

#### Conductor connection

|                             |                  |
|-----------------------------|------------------|
| Connection method           | Crimp connection |
| Conductor cross-section AWG | 28 ... 18        |
| Stripping length            | 3 mm             |

### Material specifications

#### Material data - contact

|  |          |
|--|----------|
| Metal surface contact area (top layer) | Tin (Sn) |
|--|----------|

#### Material data - housing

|  |                      |
|--|----------------------|
| Color (Housing)                        | black (9005)         |
| Insulating material                    | PBT                  |
| Insulating material group              | II                   |
| CTI according to IEC 60112             | $400 \leq CTI < 600$ |
| Flammability rating according to UL 94 | V0                   |

# DD21H 0,85/ 6-PT-2,5-Y - Feed-through plug



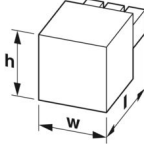
1378113

<https://www.phoenixcontact.com/us/products/1378113>

## Notes

|                     |   |
|---------------------|---|
| Note on the contact | These connectors conform to DIN EN 61984, connectors without switching power (COC). When used for their intended purpose, they must not be plugged in or disconnected live or under load. |
|---------------------|---|

## Dimensions

|                     |  |
|---------------------|--|
| Dimensional drawing |  |
| Pitch               | 2.5 mm   |
| Width [w]           | 19.7 mm  |
| Height [h]          | 16.2 mm  |
| Length [l]          | 30.69 mm   |

## Mechanical tests

### Tensile strength of crimp connections

|   |                            |
|---|----------------------------|
| Result  | Test passed                |
| Conductor cross-section/conductor type/tractive force setpoint/actual value | AWG 28 / flexible / > 11 N |

### Insertion and withdrawal forces

|                                     |             |
|-------------------------------------|-------------|
| Result                              | Test passed |
| No. of cycles                       | 25          |
| Insertion strength per pos. approx. | 2 N         |
| Withdraw strength per pos. approx.  | 2 N         |

### Contact holder in insert

|   |                        |
|---|------------------------|
| Specification                               | IEC 60512-15-1:2008-05 |
| Contact holder in insert Requirements >20 N | Test passed            |

### Resistance of inscriptions

|               |                        |
|---------------|------------------------|
| Specification | IEC 60068-2-70:1995-12 |
| Result        | Test passed            |

### Polarization and coding

|               |                        |
|---------------|------------------------|
| Specification | IEC 60512-13-5:2006-02 |
| Result        | Test passed            |

### Visual inspection

|               |                       |
|---------------|-----------------------|
| Specification | IEC 60512-1-1:2002-02 |
| Result        | Test passed           |

### Dimension check

# DD21H 0,85/ 6-PT-2,5-Y - Feed-through plug



1378113

<https://www.phoenixcontact.com/us/products/1378113>

|               |                       |
|---------------|-----------------------|
| Specification | IEC 60512-1-2:2002-02 |
| Result        | Test passed           |

## Electrical tests

### Thermal test | Test group C

|                            |                       |
|----------------------------|-----------------------|
| Specification              | IEC 60512-5-1:2002-02 |
| Tested number of positions | 20                    |

### Insulation resistance

|  |                       |
|--|-----------------------|
| Specification                                | IEC 60512-3-1:2002-02 |
| Insulation resistance, neighboring positions | > 5 MΩ                |

### Air clearances and creepage distances |

|  |                     |
|--|---------------------|
| Specification  | IEC 60664-1:2020-05 |
| Insulating material group                              | II                  |
| Comparative tracking index (IEC 60112)                 | CTI ≥400 to <600    |
| Rated insulation voltage (III/3)                       | 40 V                |
| Rated surge voltage (III/3)                            | 2.5 kV              |
| minimum clearance value - non-homogenous field (III/3) | 1.5 mm              |
| minimum creepage distance (III/3)                      | 1.6 mm              |
| Rated insulation voltage (III/2)                       | 160 V               |
| Rated surge voltage (III/2)                            | 2.5 kV              |
| minimum clearance value - non-homogenous field (III/2) | 1.5 mm              |
| minimum creepage distance (III/2)                      | 1.5 mm              |
| Rated insulation voltage (II/2)                        | 200 V               |
| Rated surge voltage (II/2)                             | 2.5 kV              |
| minimum clearance value - non-homogenous field (II/2)  | 1.5 mm              |
| minimum creepage distance (II/2)                       | 1.5 mm              |

## Environmental and real-life conditions

### Durability test

|  |                       |
|--|-----------------------|
| Specification                          | IEC 60512-9-1:2010-03 |
| Impulse withstand voltage at sea level | 2.95 kV               |
| Contact resistance R <sub>1</sub>      | 2.6 mΩ                |
| Contact resistance R <sub>2</sub>      | 2.6 mΩ                |
| Insertion/withdrawal cycles            | 25                    |

### Climatic test

|                                   |   |
|-----------------------------------|---|
| Specification                     | ISO 6988:1985-02  |
| Corrosive stress                  | 0.2 dm <sup>3</sup> SO <sub>2</sub> on 300 dm <sup>3</sup> /40 °C/1 cycle |
| Thermal stress                    | 105 °C/168 h  |
| Power-frequency withstand voltage | 1.39 kV   |

### Vibration test

|               |                       |
|---------------|-----------------------|
| Specification | IEC 60068-2-6:2007-12 |
|---------------|-----------------------|

# DD21H 0,85/ 6-PT-2,5-Y - Feed-through plug



1378113

<https://www.phoenixcontact.com/us/products/1378113>

|                        |  |
|------------------------|--|
| Frequency              | 10 - 150 - 10 Hz                         |
| Sweep speed            | 1 octave/min                             |
| Amplitude              | 0.35 mm (10 Hz ... 60.1 Hz)              |
| Acceleration           | 50 m/s <sup>2</sup> (60.1 Hz ... 150 Hz) |
| Test duration per axis | 2.5 h                                    |
| Test directions        | X-, Y- and Z-axis                        |

## Shocks

|                 |                                   |
|-----------------|-----------------------------------|
| Specification   | IEC 60068-2-27:2008-02            |
| Pulse shape     | Half-sine                         |
| Acceleration    | 30g                               |
| Shock duration  | 11 ms                             |
| Test directions | X-, Y- and Z-axis (pos. and neg.) |

## Ambient conditions

|   |   |
|---|---|
| Ambient temperature (storage/transport) | -40 °C ... 70 °C                                    |
| Relative humidity (storage/transport)   | 30 % ... 70 %                                       |
| Ambient temperature (assembly)          | -5 °C ... 100 °C                                    |
| Ambient temperature (operation)         | -55 °C ... 105 °C (dependent on the derating curve) |

## Ambient conditions

|   |   |
|---|---|
| Ambient temperature (operation)         | -55 °C ... 105 °C (dependent on the derating curve) |
| Ambient temperature (storage/transport) | -40 °C ... 70 °C                                    |
| Relative humidity (storage/transport)   | 30 % ... 70 %                                       |
| Ambient temperature (assembly)          | -5 °C ... 100 °C                                    |

## Packaging specifications

|                   |                     |
|-------------------|---------------------|
| Type of packaging | packed in cardboard |
|-------------------|---------------------|

# DD21H 0,85/ 6-PT-2,5-Y - Feed-through plug



1378113

<https://www.phoenixcontact.com/us/products/1378113>

## Drawings



Type: DD21PC 0,85/...-2,5-Y with DD21H 0,85/...-PT-2,5-Y

# DD21H 0,85/ 6-PT-2,5-Y - Feed-through plug



1378113

<https://www.phoenixcontact.com/us/products/1378113>

## Approvals

To download certificates, visit the product detail page: <https://www.phoenixcontact.com/us/products/1378113>

|  <b>UL Recognized</b><br>Approval ID: E118976-20240611 |  | Nominal voltage $U_N$ | Nominal current $I_N$ | Cross section AWG | Cross section $\text{mm}^2$ |
|---|--|-----------------------|-----------------------|-------------------|-----------------------------|
| keine   |  | 125 V                 | 5 A                   | 18                | -                           |

# DD21H 0,85/ 6-PT-2,5-Y - Feed-through plug



1378113

<https://www.phoenixcontact.com/us/products/1378113>

## Classifications

### ECLASS

|             |          |
|-------------|----------|
| ECLASS-13.0 | 27460202 |
| ECLASS-15.0 | 27460202 |

### ETIM

|           |          |
|-----------|----------|
| ETIM 10.0 | EC002638 |
|-----------|----------|

### UNSPSC

|             |          |
|-------------|----------|
| UNSPSC 21.0 | 39121400 |
|-------------|----------|

# DD21H 0,85/ 6-PT-2,5-Y - Feed-through plug



1378113

<https://www.phoenixcontact.com/us/products/1378113>

## Environmental product compliance

### EU RoHS

|   |                    |
|---|--------------------|
| Fulfills EU RoHS substance requirements | Yes, No exemptions |
|---|--------------------|

### China RoHS

|  |  |
|--|--|
| Environment friendly use period (EFUP) | EFUP-E                                   |
|  | No hazardous substances above the limits |

### EU REACH SVHC

|                                     |                            |
|-------------------------------------|----------------------------|
| REACH candidate substance (CAS No.) | No substance above 0.1 wt% |
|-------------------------------------|----------------------------|

### EF3.1 Climate Change

|         |               |
|---------|---------------|
| CO2e kg | 0.043 kg CO2e |
|---------|---------------|

Phoenix Contact 2026 © - all rights reserved  
<https://www.phoenixcontact.com>

Phoenix Contact USA  
586 Fulling Mill Road  
Middletown, PA 17057, United States  
(+717) 944-1300  
[info@phoenixcon.com](mailto:info@phoenixcon.com)