

HC-STA-B10-HHFS-1TTP21-EL/... - Housing



1372724

<https://www.phoenixcontact.com/us/products/1372724>

Please be informed that the data shown in this PDF document is generated from our online catalog. Please find the complete data in the user documentation. Our general terms of use for downloads are valid.



Sleeve housing B10, for single locking latch, material: Die-cast aluminum, salt water resistant, cable outlets: 1, straight, 1x Pg21, height: 72 mm, cable gland: none

Commercial data

| | |
|--------------------------------------|--------------------------------|
| Item number | 1372724 |
| Packing unit | 1 pc |
| Minimum order quantity | 1 pc |
| Note | Made to order (non-returnable) |
| Sales key | BF71 |
| Product key | AF7APB |
| Weight per piece (including packing) | 183.2 g |
| Weight per piece (excluding packing) | 187.1 g |
| Customs tariff number | 85389099 |
| Country of origin | PL |

1372724

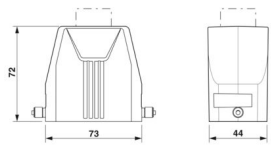
<https://www.phoenixcontact.com/us/products/1372724>

Technical data

Product properties

| | |
|------------------------------|----------------------------|
| Product type | Housing with locking latch |
| Housing type | Sleeve housing |
| Application | Standard |
| Design | B10 |
| Type of locking | for single locking latch |
| No. of cable outlets | 1 |
| Type of the screw connection | 1x Pg21 |
| Cable outlet | straight |

Dimensions

| | |
|---------------------|---|
| Dimensional drawing |  |
| Width | 44 mm |
| Height | 72 mm |
| Length | 73 mm |

Material specifications

| | |
|--------------------------|---|
| Color | black (RAL 9005) |
| Housing material | Die-cast aluminum, salt water resistant |
| Housing surface material | uncoated |

Environmental and real-life conditions

Ambient conditions

| | |
|---------------------------------|-------------------|
| Degree of protection | IP66 |
| | IP67 |
| Enclosure rating (NEMA) | 4 (UL 50e) |
| | 4X (UL 50e) |
| | 12 (UL 50e) |
| Impact strength | IK08 |
| Ambient temperature (operation) | -40 °C ... 125 °C |

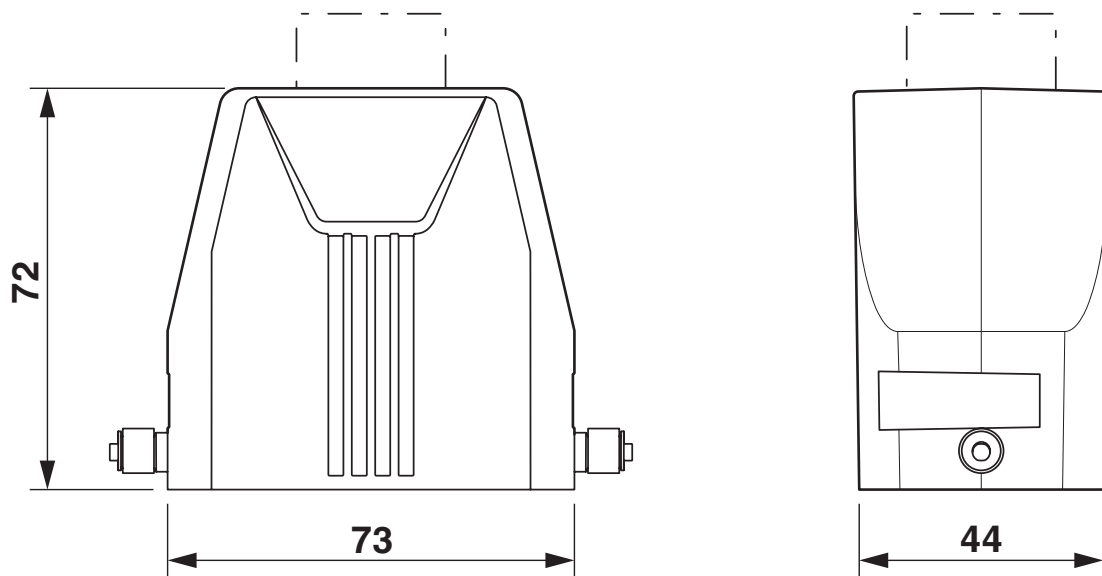
HC-STA-B10-HHFS-1TTP21-EL/... - Housing

1372724

<https://www.phoenixcontact.com/us/products/1372724>

Drawings

Dimensional drawing



Dimensional drawing

Application drawing

| | | | |
|---|----------------------|---|----------------------|
|  | YE – RAL 1021 |  | WH – RAL 9016 |
|  | RD – RAL 3020 |  | VT – RAL 4004 |
|  | GY – RAL 7045 |  | GN – RAL 6005 |
|  | PL – RAL 4006 |  | BN – RAL 8017 |
|  | BK – RAL 9005 |  | OG – RAL 2004 |
|  | BU – RAL 5005 | | |

1372724

<https://www.phoenixcontact.com/us/products/1372724>

Approvals

To download certificates, visit the product detail page: <https://www.phoenixcontact.com/us/products/1372724>



cUL Recognized
Approval ID: E255026



UL Recognized
Approval ID: E255026

1372724

<https://www.phoenixcontact.com/us/products/1372724>

Classifications

ECLASS

| | |
|-------------|----------|
| ECLASS-13.0 | 27440202 |
| ECLASS-15.0 | 27440202 |

ETIM

| | |
|-----------|----------|
| ETIM 10.0 | EC000437 |
|-----------|----------|

UNSPSC

| | |
|-------------|----------|
| UNSPSC 21.0 | 31261500 |
|-------------|----------|

1372724

<https://www.phoenixcontact.com/us/products/1372724>

Environmental product compliance

EU RoHS

| | |
|---|--------------------|
| Fulfills EU RoHS substance requirements | Yes, No exemptions |
|---|--------------------|

China RoHS

| | |
|--|--|
| Environment friendly use period (EFUP) | EFUP-E |
| | No hazardous substances above the limits |

EU REACH SVHC

| | |
|-------------------------------------|----------------------------|
| REACH candidate substance (CAS No.) | No substance above 0.1 wt% |
|-------------------------------------|----------------------------|

Phoenix Contact 2026 © - all rights reserved
<https://www.phoenixcontact.com>

Phoenix Contact USA
586 Fulling Mill Road
Middletown, PA 17057, United States
(+717) 944-1300
info@phoenixcon.com