

# HC-STA-B06-HLFS-1TTP13-EL/... - Housing

1372652

<https://www.phoenixcontact.com/us/products/1372652>

Please be informed that the data shown in this PDF document is generated from our online catalog. Please find the complete data in the user documentation. Our general terms of use for downloads are valid.



Sleeve housing B6, for single locking latch, material: Die-cast aluminum, salt water resistant, cable outlets: 1, straight, 1x Pg13,5, height: 52 mm, cable gland: none

## Commercial data

Item number	1372652
Packing unit	1 pc
Minimum order quantity	1 pc
Note	Made to order (non-returnable)
Sales key	BF71
Product key	AF7APB
Weight per piece (including packing)	114.9 g
Weight per piece (excluding packing)	114.9 g
Customs tariff number	85389099
Country of origin	PL

1372652

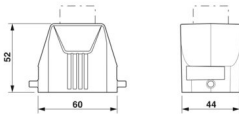
<https://www.phoenixcontact.com/us/products/1372652>

## Technical data

### Product properties

Product type	Housing with locking latch
Housing type	Sleeve housing
Application	Standard
Design	B6
Type of locking	for single locking latch
No. of cable outlets	1
Type of the screw connection	1x Pg13.5
Cable outlet	straight

### Dimensions

Dimensional drawing	
Width	44 mm
Height	52 mm
Length	60 mm

### Material specifications

Color	black (RAL 9005)
Housing material	Die-cast aluminum, salt water resistant
Housing surface material	uncoated

### Environmental and real-life conditions

#### Ambient conditions

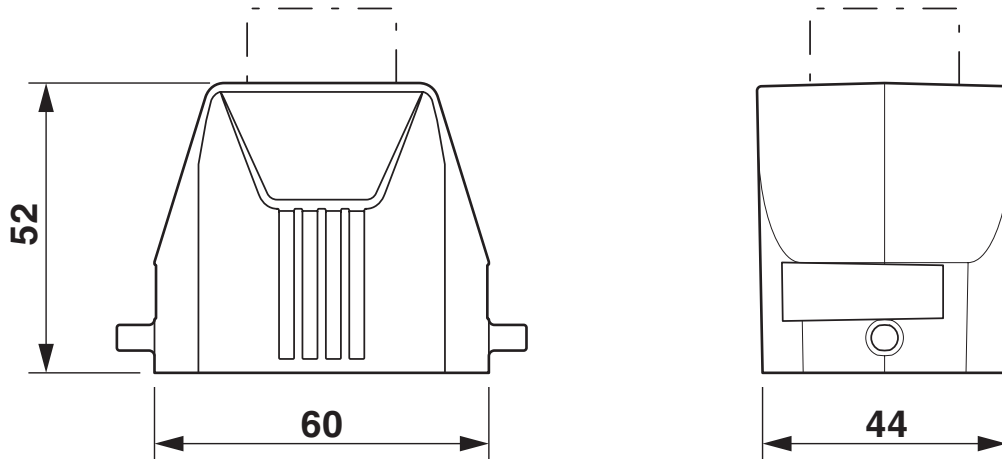
Degree of protection	IP66 IP67
Enclosure rating (NEMA)	4 (UL 50e) 4X (UL 50e) 12 (UL 50e)
Impact strength	IK08
Ambient temperature (operation)	-40 °C ... 125 °C

1372652

<https://www.phoenixcontact.com/us/products/1372652>

## Drawings

Dimensional drawing



Dimensional drawing

Application drawing

	<b>YE – RAL 1021</b>		<b>WH – RAL 9016</b>
	<b>RD – RAL 3020</b>		<b>VT – RAL 4004</b>
	<b>GY – RAL 7045</b>		<b>GN – RAL 6005</b>
	<b>PL – RAL 4006</b>		<b>BN – RAL 8017</b>
	<b>BK – RAL 9005</b>		<b>OG – RAL 2004</b>
	<b>BU – RAL 5005</b>		

1372652

<https://www.phoenixcontact.com/us/products/1372652>

## Approvals

To download certificates, visit the product detail page: <https://www.phoenixcontact.com/us/products/1372652>



**cUL Recognized**

Approval ID: E255026



**UL Recognized**

Approval ID: E255026

1372652

<https://www.phoenixcontact.com/us/products/1372652>

## Classifications

### ECLASS

ECLASS-13.0	27440202
ECLASS-15.0	27440202

### ETIM

ETIM 10.0	EC000437
-----------	----------

### UNSPSC

UNSPSC 21.0	31261500
-------------	----------

1372652

<https://www.phoenixcontact.com/us/products/1372652>

## Environmental product compliance

### EU RoHS

Fulfills EU RoHS substance requirements	Yes, No exemptions
---	--------------------

### China RoHS

Environment friendly use period (EFUP)	EFUP-E
	No hazardous substances above the limits

### EU REACH SVHC

REACH candidate substance (CAS No.)	No substance above 0.1 wt%
-------------------------------------	----------------------------

Phoenix Contact 2026 © - all rights reserved  
<https://www.phoenixcontact.com>

Phoenix Contact USA  
586 Fulling Mill Road  
Middletown, PA 17057, United States  
(+717) 944-1300  
[info@phoenixcon.com](mailto:info@phoenixcon.com)