

SAC-5P-M12MS/0,2-115/M12FSB - Sensor/actuator cable



1362964

<https://www.phoenixcontact.com/us/products/1362964>

Please be informed that the data shown in this PDF document is generated from our online catalog. Please find the complete data in the user documentation. Our general terms of use for downloads are valid.



Sensor/actuator cable, 5-position, PUR halogen-free, black-gray RAL 7021, Plug straight M12, coding: A, on Socket straight M12, coding: B, cable length: 0.2 m

Commercial data

Item number	1362964
Packing unit	1 pc
Minimum order quantity	100 pc
Note	Made to order (non-returnable)
Product key	AF1CDA
GTIN	4063151707361
Weight per piece (including packing)	26 g
Weight per piece (excluding packing)	25.7 g
Country of origin	PL

SAC-5P-M12MS/0,2-115/M12FSB - Sensor/actuator cable



1362964

<https://www.phoenixcontact.com/us/products/1362964>

Technical data

Product properties

Product type	Sensor/actuator cable
Number of positions	5
No. of cable outlets	1
Shielded	no

Insulation characteristics

Overvoltage category	II
Degree of pollution	3

Material specifications

Seal material	NBR
Material of grip body	TPU, hardly inflammable, self-extinguishing
Contact material	CuSn
Contact surface material	Ni/Au
Contact carrier material	TPU GF
Material for screw connection	Zinc die-cast, nickel-plated

Electrical properties

Insulation resistance	$\geq 100 \text{ M}\Omega$
Nominal voltage U_N	48 V AC
	60 V DC
Nominal current I_N	4 A

Mechanical properties

Mechanical data

Insertion/withdrawal cycles	≥ 100
-----------------------------	------------

Signaling

Status display	no
Status display present	no

Connection data

Conductor connection

Tightening torque	0.4 Nm
-------------------	--------

Connector

Connection 1

Type	Plug straight M12
Number of positions	5
Coding type	A

SAC-5P-M12MS/0,2-115/M12FSB - Sensor/actuator cable

1362964

<https://www.phoenixcontact.com/us/products/1362964>

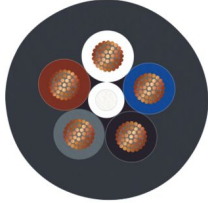
Connection 2

Type	Socket straight M12
Number of positions	5
Coding type	B

Cable/line

Cable length	0.2 m
--------------	-------

PUR, black, 5th conductor gray [115]

Dimensional drawing	
Cable weight	35 kg/km
UL AWM Style	20549 / 10493 (80°C/300 V)
Number of positions	5
Shielded	no
Cable type	PUR, black, 5th conductor gray [115]
Conductor structure signal line	42x 0.10 mm
AWG signal line	22
Conductor cross-section	5x 0.34 mm ²
Wire diameter incl. insulation	1.27 mm ±0.02 mm
External cable diameter	5.00 mm ±0.15 mm
Outer sheath, material	PUR
External sheath, color	black-gray RAL 7021
Conductor material	Bare Cu litz wires
Material, filler	PP
Material wire insulation	PP
Single wire, color	brown, white, blue, black, gray
Thickness, insulation	≥ 0.21 mm
Thickness, outer sheath	approx. 0.70 mm
Overall twist	5 cores, twisted
Max. conductor resistance	≤ 58 Ω/km
Nominal voltage, cable	≤ 300 V
Test voltage	≥ 3000 V
Minimum bending radius, fixed installation	5 x D
Minimum bending radius, flexible installation	10 x D
Smallest bending radius, fixed installation	25 mm
Smallest bending radius, movable installation	50 mm
Dynamic load capacity (bending)	Max. bending cycles: 10000000, Bending radius: 50 mm,

SAC-5P-M12MS/0,2-115/M12FSB - Sensor/actuator cable



1362964

<https://www.phoenixcontact.com/us/products/1362964>

	Traversing path: 10 m, Traversing rate: 3 m/s, Acceleration: 10 m/s ²
Dynamic load capacity (torsion)	Torsion: ±180 °/m, Torsion cycles: ≥5000000, Torsional frequency: 35 cycles/min.
Halogen-free	in accordance with DIN VDE 0472 part 815
Flame resistance	in accordance with DIN UL-Style 20549
	in accordance with UL 758/1581 FT2
Resistance to oil	in accordance with DIN EN 60811-2-1
Other resistance	partly UV-resistant (in accordance with DIN EN ISO 4892-2-A)
	hydrolysis and microbe resistant
	Resistant to salt water
	Low adhesion
	abrasion-resistant
Special properties	Flexible cable conduit capable
	Silicone-free
	Free of substances which would hinder coating with paint or varnish
	flexible
Ambient temperature (operation)	-40 °C ... 80 °C (cable, fixed installation)
	-25 °C ... 80 °C (Cable, flexible installation)

Environmental and real-life conditions

Ambient conditions

Degree of protection	IP65
	IP67
	IP68
Ambient temperature (operation)	-25 °C ... 90 °C (Plug / socket)

SAC-5P-M12MS/0,2-115/M12FSB - Sensor/actuator cable

1362964

<https://www.phoenixcontact.com/us/products/1362964>

Drawings

Dimensional drawing



Plug, M12 x 1, straight

Dimensional drawing



M12 x 1 socket, straight

SAC-5P-M12MS/0,2-115/M12FSB - Sensor/actuator cable

1362964

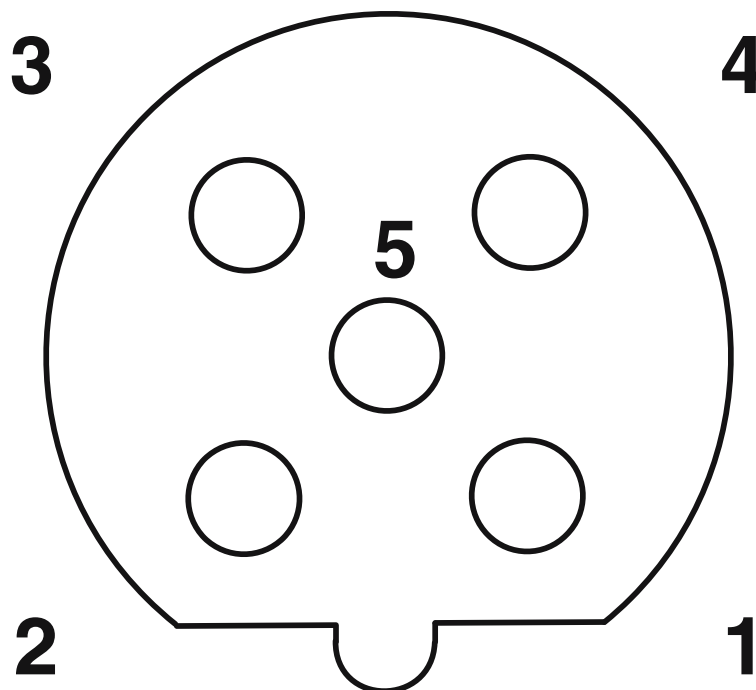
<https://www.phoenixcontact.com/us/products/1362964>

Schematic diagram



Pin assignment M12 male connector, 5-pos., A-coded, male side

Schematic diagram



Pin assignment M12 socket, 5-pos., B-coded, female side

SAC-5P-M12MS/0,2-115/M12FSB - Sensor/actuator cable



1362964

<https://www.phoenixcontact.com/us/products/1362964>

Circuit diagram



Contact assignment of the M12 plug and the M12 socket

SAC-5P-M12MS/0,2-115/M12FSB - Sensor/actuator cable



1362964

<https://www.phoenixcontact.com/us/products/1362964>

Classifications

ECLASS

ECLASS-13.0	27060311
ECLASS-15.0	27060311

ETIM

ETIM 10.0	EC001855
-----------	----------

UNSPSC

UNSPSC 21.0	26121600
-------------	----------

SAC-5P-M12MS/0,2-115/M12FSB - Sensor/actuator cable



1362964

<https://www.phoenixcontact.com/us/products/1362964>

Environmental product compliance

EU RoHS

Fulfills EU RoHS substance requirements	Yes, No exemptions
---	--------------------

China RoHS

Environment friendly use period (EFUP)	EFUP-E
	No hazardous substances above the limits

EU REACH SVHC

REACH candidate substance (CAS No.)	No substance above 0.1 wt%
-------------------------------------	----------------------------

Phoenix Contact 2026 © - all rights reserved
<https://www.phoenixcontact.com>

Phoenix Contact USA
586 Fulling Mill Road
Middletown, PA 17057, United States
(+717) 944-1300
info@phoenixcon.com