

TTC-6P-2X2-24-I-P - Surge protection plug



1362694

<https://www.phoenixcontact.com/us/products/1362694>

Please be informed that the data shown in this PDF document is generated from our online catalog. Please find the complete data in the user documentation. Our general terms of use for downloads are valid.



Surge protection plug with integrated status indicator on the module for two 2-wire floating signal circuits. Nominal voltage: 24 V AC/DC

Your advantages

- Efficient use of space: the narrowest pluggable surge protection solution for 4-conductor applications
- Easy function monitoring: on-site or optionally via remote signaling, with optical monitoring, without additional effort
- Servicing without affecting the signal: replace the surge protection module without affecting the measuring signal
- Flexible choice: Push-in Technology or screw connection

Commercial data

Item number	1362694
Packing unit	1 pc
Minimum order quantity	1 pc
Sales key	CL23
Product key	CL216Z
GTIN	4063151699086
Weight per piece (including packing)	14.7 g
Weight per piece (excluding packing)	14.7 g
Customs tariff number	85363010
Country of origin	DE

TTC-6P-2X2-24-I-P - Surge protection plug



1362694

<https://www.phoenixcontact.com/us/products/1362694>

Technical data

Product properties

Product type	Replacement plug
Product family	TERMITRAB complete

Material specifications

Color	light gray (RAL 7035)
-------	-----------------------

TTC-6P-2X2-24-I-P - Surge protection plug

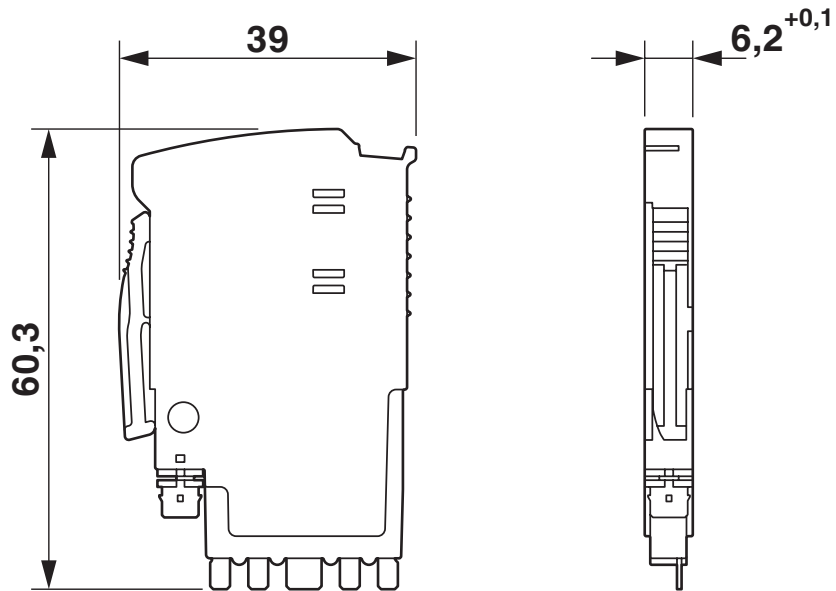
1362694

<https://www.phoenixcontact.com/us/products/1362694>



Drawings

Dimensional drawing



TTC-6P-2X2-24-I-P - Surge protection plug



1362694

<https://www.phoenixcontact.com/us/products/1362694>

Approvals

To download certificates, visit the product detail page: <https://www.phoenixcontact.com/us/products/1362694>



UL Listed

Approval ID: FILE E 138168



cULus Listed

Approval ID: File E 333250

TTC-6P-2X2-24-I-P - Surge protection plug



1362694

<https://www.phoenixcontact.com/us/products/1362694>

Classifications

ECLASS

ECLASS-13.0	27171501
ECLASS-15.0	27171501

ETIM

ETIM 10.0	EC001466
-----------	----------

UNSPSC

UNSPSC 21.0	39121600
-------------	----------

TTC-6P-2X2-24-I-P - Surge protection plug



1362694

<https://www.phoenixcontact.com/us/products/1362694>

Environmental product compliance

EU RoHS

Fulfills EU RoHS substance requirements	Yes
Exemption	7(a), 7(c)-I

China RoHS

Environment friendly use period (EFUP)	EFUP-50
	An article-related China RoHS declaration table can be found in the download area for the respective article under "Manufacturer declaration". For all articles with EFUP-E, no China RoHS declaration table issued and required.

EU REACH SVHC

REACH candidate substance (CAS No.)	Lead(CAS: 7439-92-1)
SCIP	df09c883-6fb0-4508-bc1c-427f864023c3

EF3.1 Climate Change

CO2e kg	0.589 kg CO2e
---------	---------------

Phoenix Contact 2026 © - all rights reserved
<https://www.phoenixcontact.com>

Phoenix Contact USA
586 Fulling Mill Road
Middletown, PA 17057, United States
(+717) 944-1300
info@phoenixcon.com