

HC-B10-I-PT-CI-M - Contact insert



1350020

<https://www.phoenixcontact.com/us/products/1350020>

Please be informed that the data shown in this PDF document is generated from our online catalog. Please find the complete data in the user documentation. Our general terms of use for downloads are valid.



Contact insert, number of positions: 10+2 PE, size: B10, number of connections per position: 1, Pin, Push-in connection, 500 V, 16 A, 0.14 mm² ... 2.5 mm², application: Power, tool-free Click-in mounting

Your advantages

- Significant time savings and improved handling: Consistent and easy tool-free installation and mounting with Push-in connection technology and innovative Click-in latching
- Tool-free installation and mounting of the PE connection with Push-in connection technology
- Shortest installation time compared to other connection technologies
- Quick and effortless wiring, in particular when space is tight
- Secure installation: Audible and tangible latching of the contact inserts in the connector housing
- Reliable connection: The Click-in contact insert latches into the housing creating a shock- and vibration-resistant connection in accordance with DIN EN 61373
- Easy integration: Click-in contact inserts fit in all plastic and metal housings of the HEAVYCON STANDARD and EVO series
- Automatic cabling with robots possible
- Safe wiring and operation with color-coded actuators
- Cost-effective and fast coding with plastic profiles
- Test pick-off for 2 mm test plug
- Shock and vibration-resistant in accordance with DIN EN 61373

Commercial data

| | |
|--------------------------------------|---------------|
| Item number | 1350020 |
| Packing unit | 1 pc |
| Minimum order quantity | 1 pc |
| Sales key | BF61 |
| Product key | AF7ABC |
| GTIN | 4063151669201 |
| Weight per piece (including packing) | 60.3 g |
| Weight per piece (excluding packing) | 60.8 g |
| Customs tariff number | 85366990 |
| Country of origin | CN |

HC-B10-I-PT-CI-M - Contact insert



1350020

<https://www.phoenixcontact.com/us/products/1350020>

Technical data

Mounting

| | |
|---------------|--|
| Mounting type | tool-free snap-in |
| Assembly note | To ensure correct use, installation in housing with IP54 protection or better is required |
| | tool-free snap-in into all plastic and metal housings of the HEAVYCON STANDARD and EVO series, and into metal housings of the HEAVYCON ADVANCED series |

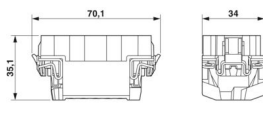
Product properties

| | |
|------------------------------------|--|
| Product type | Contact insert with a fixed no. of positions |
| Series | HC-B |
| Application | Power |
| Type | B10 |
| Number of positions | 10 |
| Connection profile | 10+2 PE |
| Contact numbering | 1 - 10 |
| Number of connections per position | 1 |
| Contact material type | rolled |

Insulation characteristics

| | |
|----------------------|-----|
| Overvoltage category | III |
| Degree of pollution | 3 |

Dimensions

| | |
|---------------------------------|--|
| Dimensional drawing |  |
| Width | 34 mm |
| Height | 34.4 mm |
| Length | 64 mm |
| Drill hole distance, horizontal | 57 mm |
| Drill hole distance, vertical | 27 mm |

Mechanical characteristics

| | |
|------------------|--------|
| Contact diameter | 2.5 mm |
|------------------|--------|

Connection data

Connection technology

| | |
|------------------------------------|--------------------|
| Connection technology | Push-in connection |
| Number of connections per position | 1 |

Conductor connection

HC-B10-I-PT-CI-M - Contact insert



1350020

<https://www.phoenixcontact.com/us/products/1350020>

| | |
|------------------------------|--|
| Conductor cross-section | 0.14 mm ² ... 2.5 mm ² |
| Connection cross section AWG | 26 ... 14 |
| Stripping length | 8 mm ... 10 mm |

Electrical properties

| | |
|-----------------------|-----------------------|
| Rated voltage (III/3) | 500 V |
| Rated surge voltage | 6 kV |
| Rated current | 16 A (power contacts) |
| SCCR | 5 kA (UL 2237) |

Mechanical properties

Mechanical data

| | |
|-----------------------------|-------|
| Insertion/withdrawal cycles | ≥ 500 |
|-----------------------------|-------|

Material specifications

| | |
|--|----------------------------|
| Flammability rating according to UL 94 | V0 |
| Contact material | Copper alloy |
| Contact surface material | Ag/Sn (tarnish protection) |
| Contact carrier material | PC |
| Standards/regulations | PC |

Environmental and real-life conditions

Ambient conditions

| | |
|---------------------------------|--|
| Ambient temperature (operation) | -40 °C ... 125 °C (including heating up of contacts) |
|---------------------------------|--|

Standards and regulations

Testing

| | |
|-----------------------|---|
| Standards/regulations | PC: Fire protection in rail vehicles - requirement sets R22, R23, and R24 acc. to DIN EN 45545-2 (Risk level HL1 - HL3) |
|-----------------------|---|

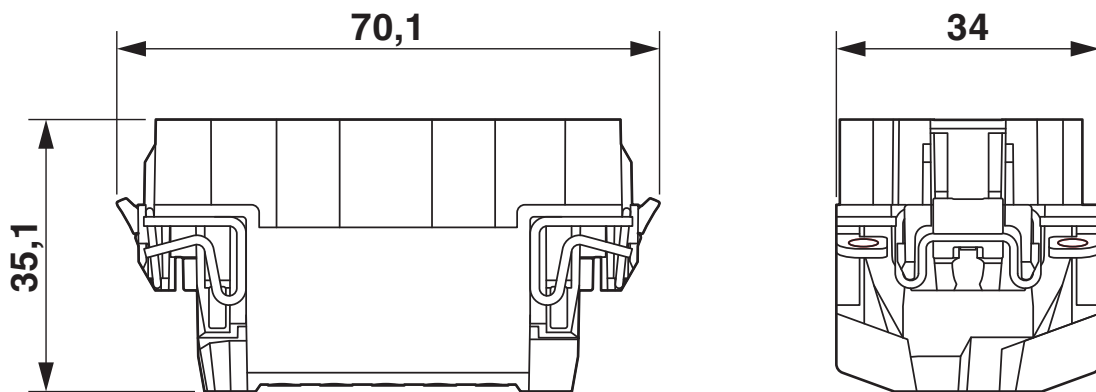
HC-B10-I-PT-CI-M - Contact insert

1350020

<https://www.phoenixcontact.com/us/products/1350020>

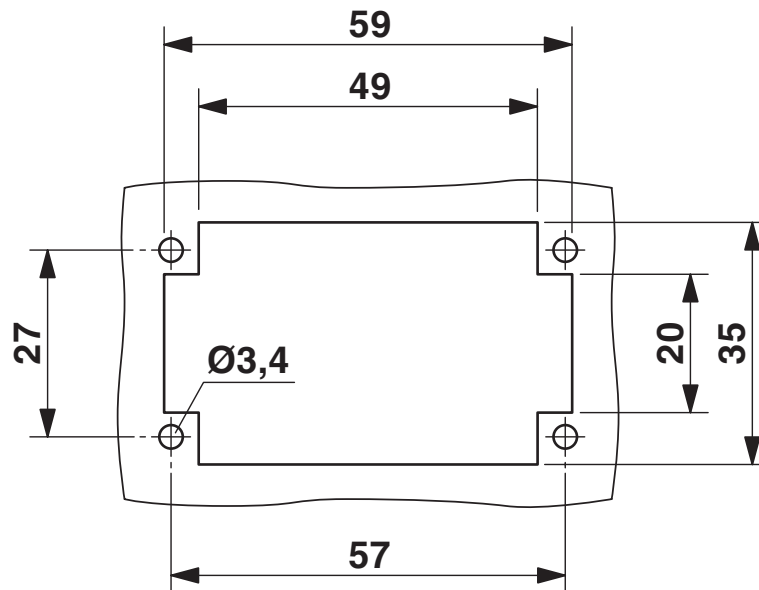
Drawings

Dimensional drawing



Dimensional drawing

Dimensional drawing



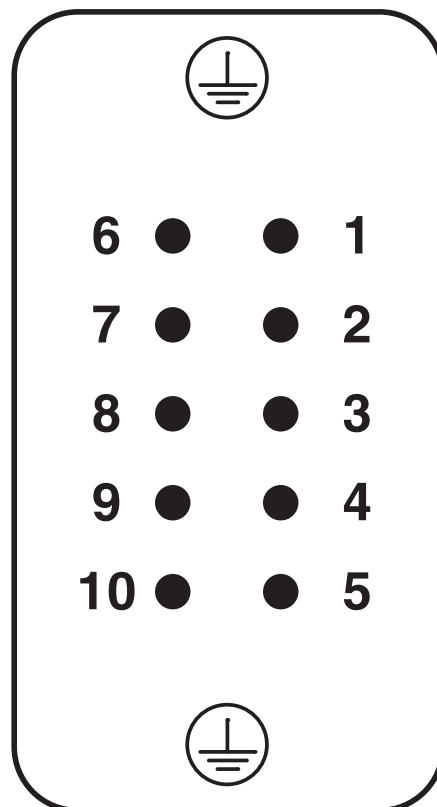
Mounting cutout when used without housing

HC-B10-I-PT-CI-M - Contact insert

1350020

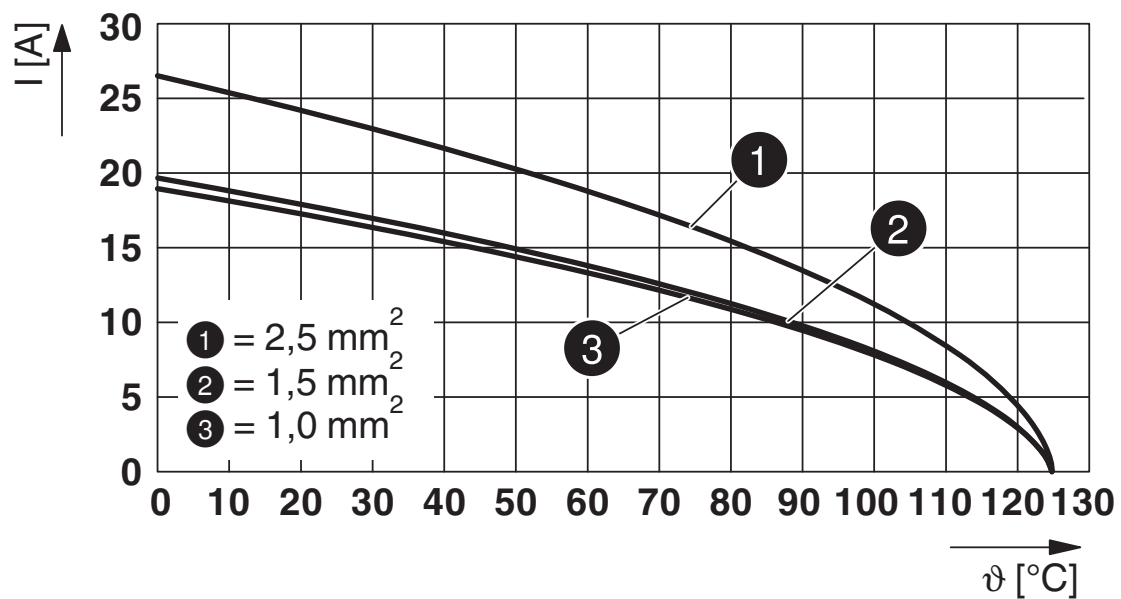
<https://www.phoenixcontact.com/us/products/1350020>

Schematic diagram



Connector pin assignment, connection side

Diagram



Derating diagram

HC-B10-I-PT-CI-M - Contact insert




1350020

<https://www.phoenixcontact.com/us/products/1350020>

Approvals

To download certificates, visit the product detail page: <https://www.phoenixcontact.com/us/products/1350020>

|  cULus Recognized Approval ID: E468743 | | | | |
|---|-----------------------|-----------------------|-------------------|-----------------------------|
| | Nominal voltage U_N | Nominal current I_N | Cross section AWG | Cross section mm^2 |
| keine | | | | |
| | 600 V | 13 A | - 14 | - |

HC-B10-I-PT-CI-M - Contact insert



1350020

<https://www.phoenixcontact.com/us/products/1350020>

Classifications

ECLASS

| | |
|-------------|----------|
| ECLASS-15.0 | 27440205 |
| ECLASS-13.0 | 27440205 |

ETIM

| | |
|-----------|----------|
| ETIM 10.0 | EC000438 |
|-----------|----------|

UNSPSC

| | |
|-------------|----------|
| UNSPSC 21.0 | 39121500 |
|-------------|----------|

HC-B10-I-PT-CI-M - Contact insert



1350020

<https://www.phoenixcontact.com/us/products/1350020>

Environmental product compliance

EU RoHS

| | |
|---|--------------------|
| Fulfills EU RoHS substance requirements | Yes, No exemptions |
|---|--------------------|

China RoHS

| | |
|--|--|
| Environment friendly use period (EFUP) | EFUP-E |
| | No hazardous substances above the limits |

EU REACH SVHC

| | |
|-------------------------------------|----------------------------|
| REACH candidate substance (CAS No.) | No substance above 0.1 wt% |
|-------------------------------------|----------------------------|

Phoenix Contact 2026 © - all rights reserved
<https://www.phoenixcontact.com>

Phoenix Contact USA
586 Fulling Mill Road
Middletown, PA 17057, United States
(+717) 944-1300
info@phoenixcon.com